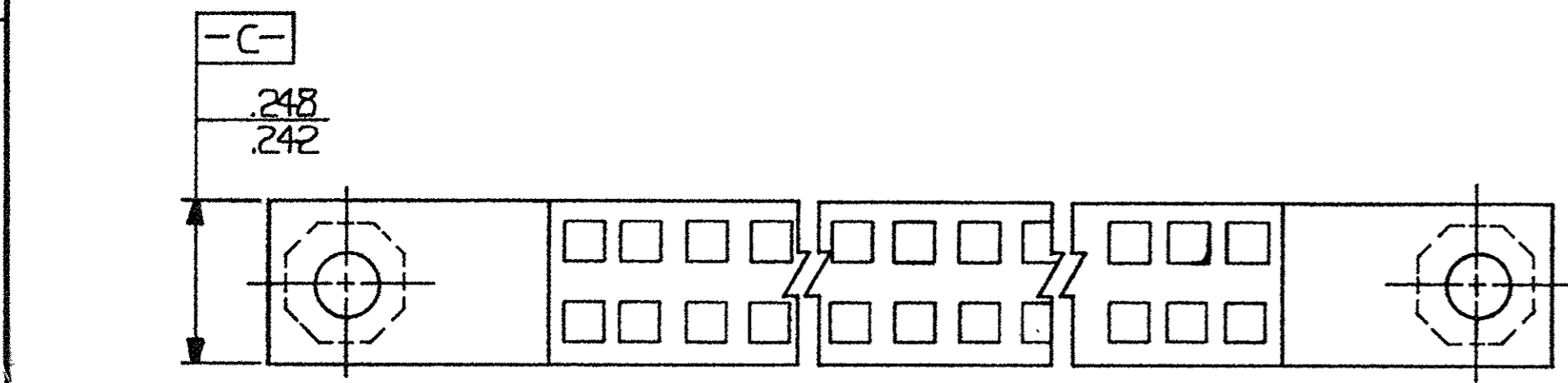
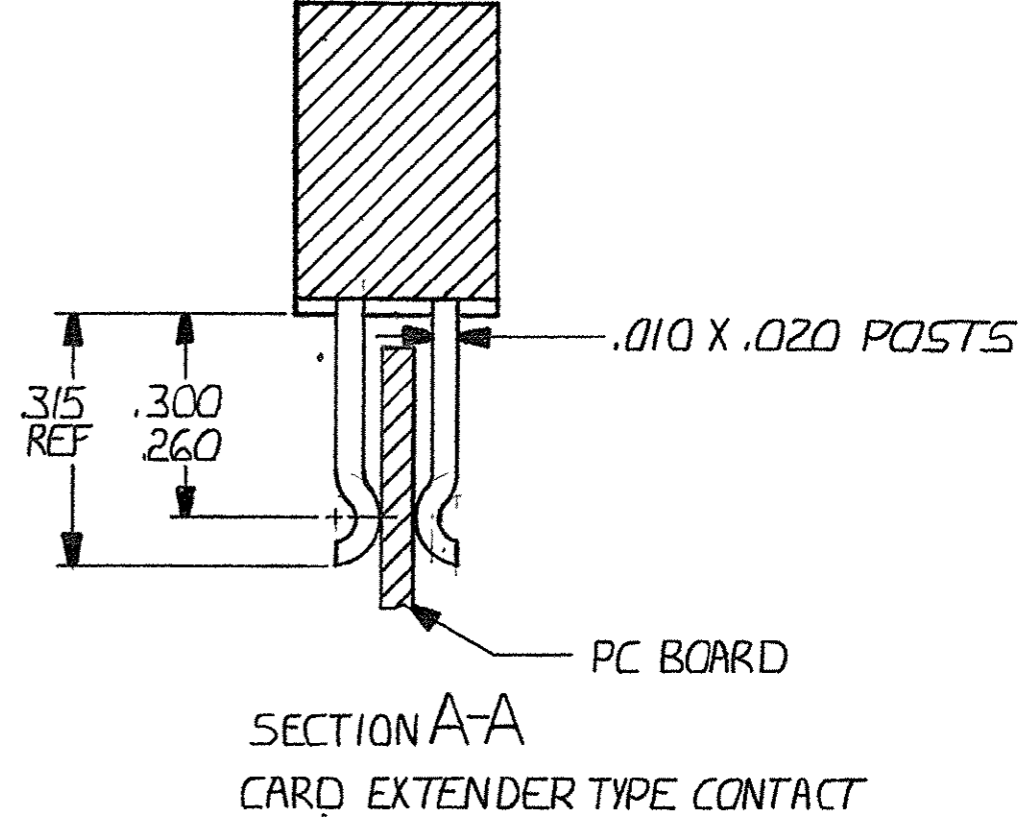
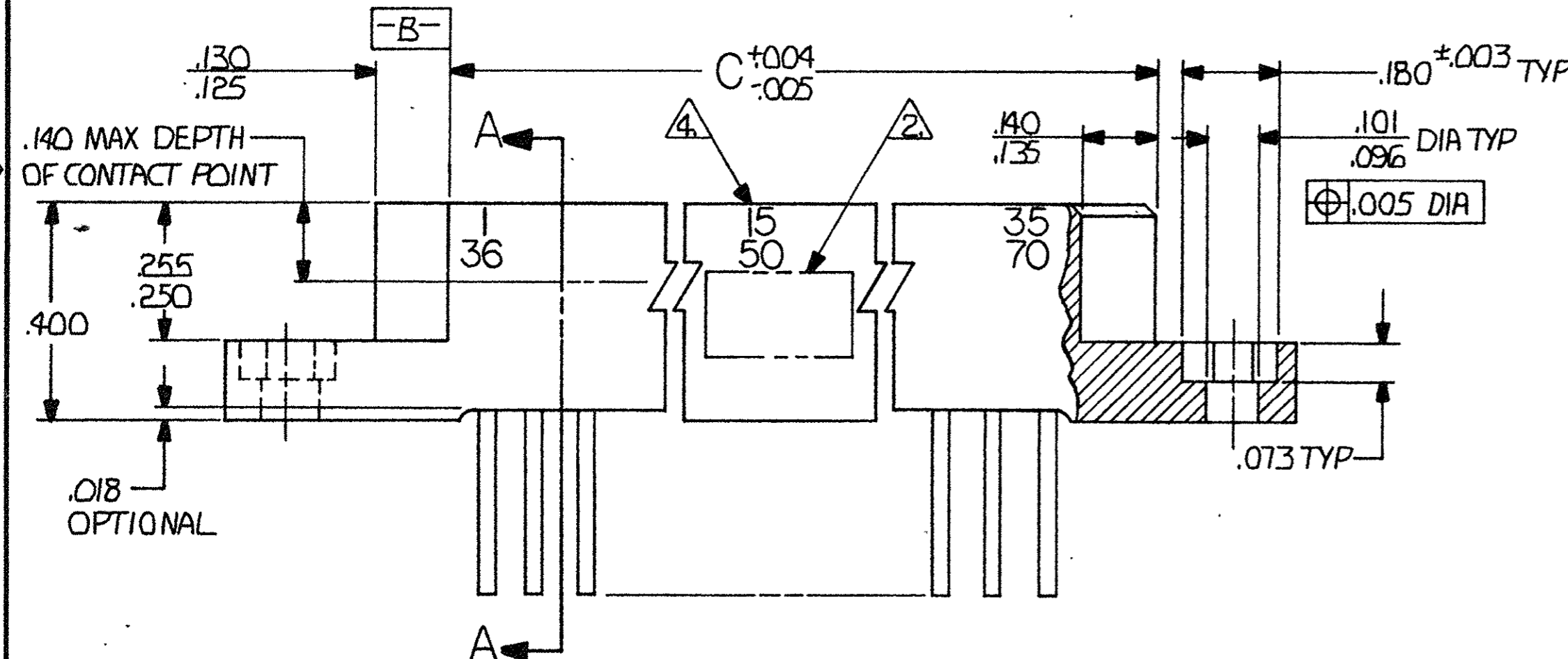
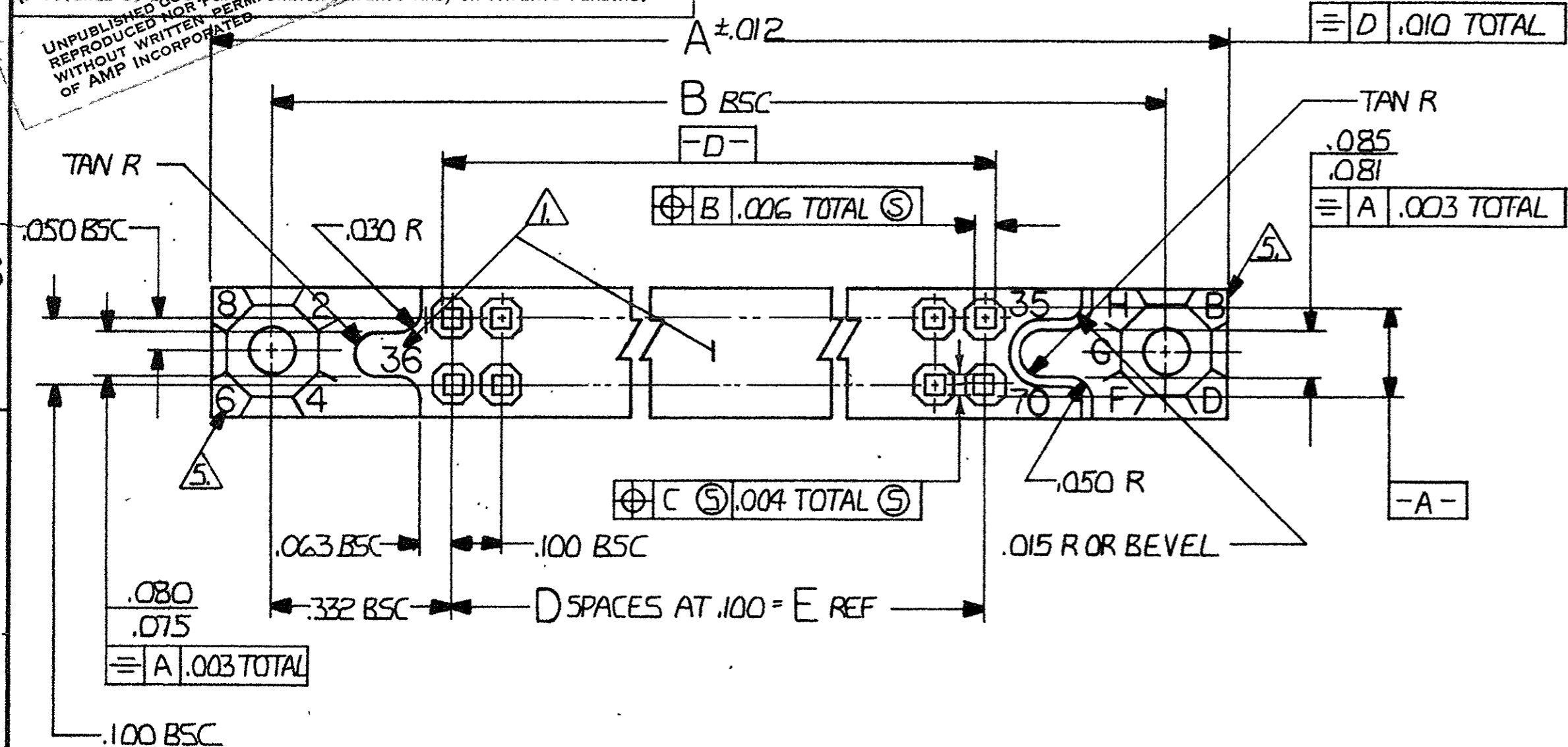


© COPYRIGHT 1977 BY AMP INCORPORATED, HARRISBURG, PA.
 ALL INTERNATIONAL PATENTS RESERVED. AMP INCORPORATED PRODUCTS
 COVERED BY U.S. PATENTS AND FOREIGN PATENTS AND/OR PATENTS PENDING.
 UNPUBLISHED WORK NOT TO BE REPRODUCED OR TRANSMITTED IN ANY FORM OR BY ANY MEANS WITHOUT WRITTEN PERMISSION OF AMP INCORPORATED.

REVISIONS						
P	F	ZONE	LTR	DESCRIPTION	DATE	APPROVED
	✓		01	REVISED 5061 m.S.	2-2-77	
	✓		02	REVISED 6157 DLK	7-19-79	DLK RD
	✓		03	MIL. P/N'S ASSIGNED	4-80	
04	✓		04	REVISED PER ECN 8248 w/c	12-82	
	✓		A	REVISED PER ECN AB-0535	1-3-85	EAM
	✓		B	REV PER DF-2240	10-5-89	
	✓		C	REV PER 0600-5859-96	4-98	
	✓		D	REV PER ECO-05-013278	11-05	PY



UNLESS OTHERWISE SPECIFIED DIMENSIONS ARE IN INCHES. TOLERANCES ON: DECIMALS $\pm .005$ ANGLES $\pm .005$	CONTRACT NO	AMP INCORPORATED Harrisburg, Pa.		
	DR <i>Robert Walber</i> 11-12-76			NAME BOX CONNECTOR RECEPTACLE
	MATERIAL	CHK <i>R. Williams</i> 11-23-76	ASSY .100 GRID EXTERNAL KEYING	
	FINISH	APPD <i>R. Williams</i> 11-23-76 <i>D.G. Meyers</i> 11-29-76	KEYING	
	DSGN APPD	SIZE	CODE IDENT NO	DRAWING NO
	OTHER APPD	C	00779	530782
		SCALE	4-1	SHEET
				10FZ

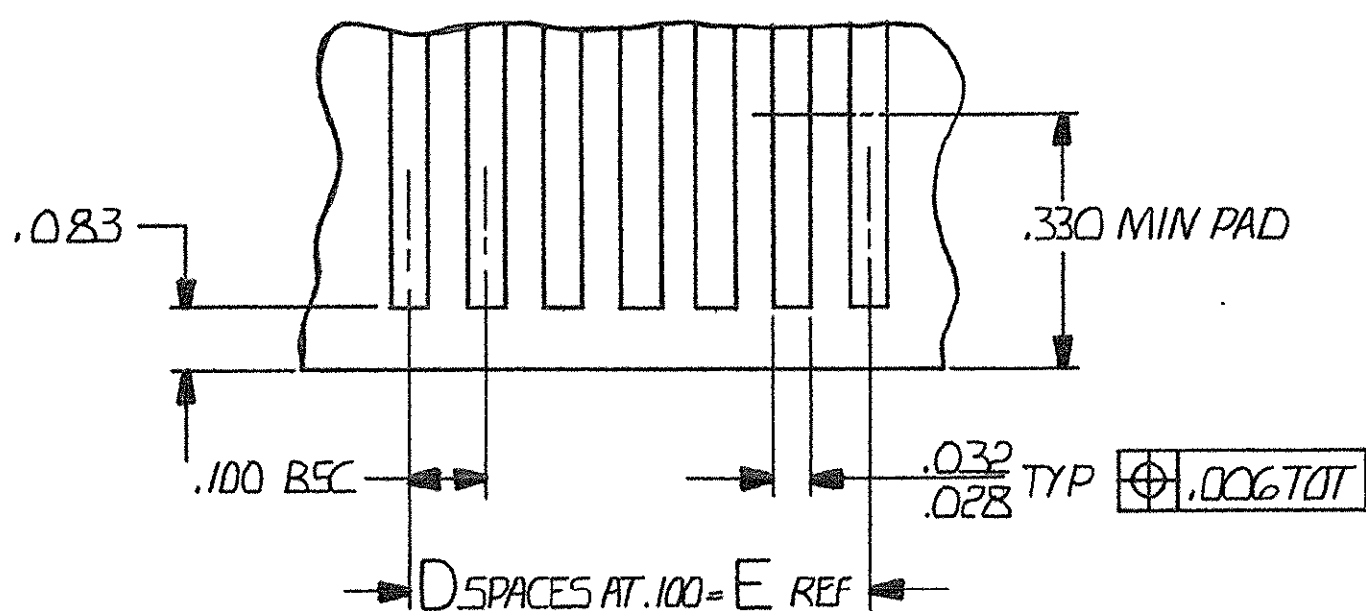
530782

© COPYRIGHT 19 BY AMP INCORPORATED, HARRISBURG, PA.
ALL INTERNATIONAL RIGHTS RESERVED. AMP INCORPORATED PRODUCTS
COVERED BY U. S. AND FOREIGN PATENTS AND/OR PATENTS PENDING.

REVISIONS			
P	F	ZONE	DATE

UNPUBLISHED COPY NOT TO BE REPRODUCED NOR PUBLISHED WITHOUT WRITTEN PERMISSION OF AMP INCORPORATED.

- 1. NUMBERS AND LINES INDICATING EVERY FIVE CAVITIES MOLDED OR MARKED ON MATING FACE.
- 2. AMP PART NUMBER DATE CODE, 00779 & MILITARY PART NUMBER MOLDED OR MARKED THIS AREA. SIDE OPTIONAL
- 3. MUST MEET ALL APPLICABLE REQUIREMENTS OF MIL-C-55302.
- 4. NUMBERS INDICATING EVERY FIVE CAVITIES MOLDED OR MARKED ON SIDE.
- 5. KEY POSITION IDENTIFICATION MOLDED ON SURFACES SHOWN.
- 6. USE EXTERNAL KEY NUMBER 530341-1 MATES WITH PART NUMBER 530339.
- 7. HOUSING MATERIAL: DIALLYL PHTHALATE COLOR: BLUE PER MIL-M-14 TYPE 50G-F.
- 8. CONTACT MATERIAL: BERYLLIUM COPPER OR COPPER-NICKEL-SILICONE .000050 GOLD OVER NICKEL, TIN LEAD ON TAILS



RECOMMENDED PRINTED CIRCUIT BOARD LAYOUT

M55302/27-229	71	140	6.900	69	7.165	7.565	7.855	140	1-530782-3
M55302/27-228	68	134	6.600	66	6.865	7.265	7.555	134	1-530782-2
M55302/27-227	66	130	6.400	64	6.665	7.065	7.355	130	1-530782-1
M55302/27-226	61	120	5.900	59	6.165	6.565	6.855	120	1-530782-0
M 55302/27-180	56	110	5.400	54	5.665	6.065	6.355	110	530782-9
M 55302/27-179	51	100	4.900	49	5.165	5.565	5.855	100	-8
M 55302/27-178	46	90	4.400	44	4.665	5.065	5.355	90	-7
M 55302/27-177	41	80	3.900	39	4.165	4.565	4.855	80	-6
M 55302/27-176	36	70	3.400	34	3.665	4.065	4.355	70	-5
M 55302/27-175	31	60	2.900	29	3.165	3.565	3.855	60	-4
M 55302/27-174	26	50	2.400	24	2.665	3.065	3.355	50	-3
M 55302/27-173	21	40	1.900	19	2.165	2.565	2.855	40	-2
M 55302/27-172	16	30	1.400	14	1.665	2.065	2.355	30	530782-1
M 55302	CONTACT IDENTIFICATION NO		E	D	C	B	A	NO OF CONTACTS	PART NO

UNLESS OTHERWISE SPECIFIED DIMENSIONS ARE IN INCHES. TOLERANCES ON: DECIMALS ±.005 ANGLES ±	CONTRACT NO	AMP INCORPORATED Harrisburg, Pa.
	DR Robert Weber 11-15-76	
MATERIAL	CHK R. Williams 11-23-76	NAME BOX CONNECTOR RECEPTACLE ASSY .100 GRID EXTERNAL KEYING
	APPD R. Williams 11-23-76	
FINISH	APPD R. Myers 11-29-76	SIZE CODE IDENT NO DRAWING NO C 00779 530782
	DSGN APPD	
OTHER APPD	SCALE 4-1	SHEET 2 OF 2

530782