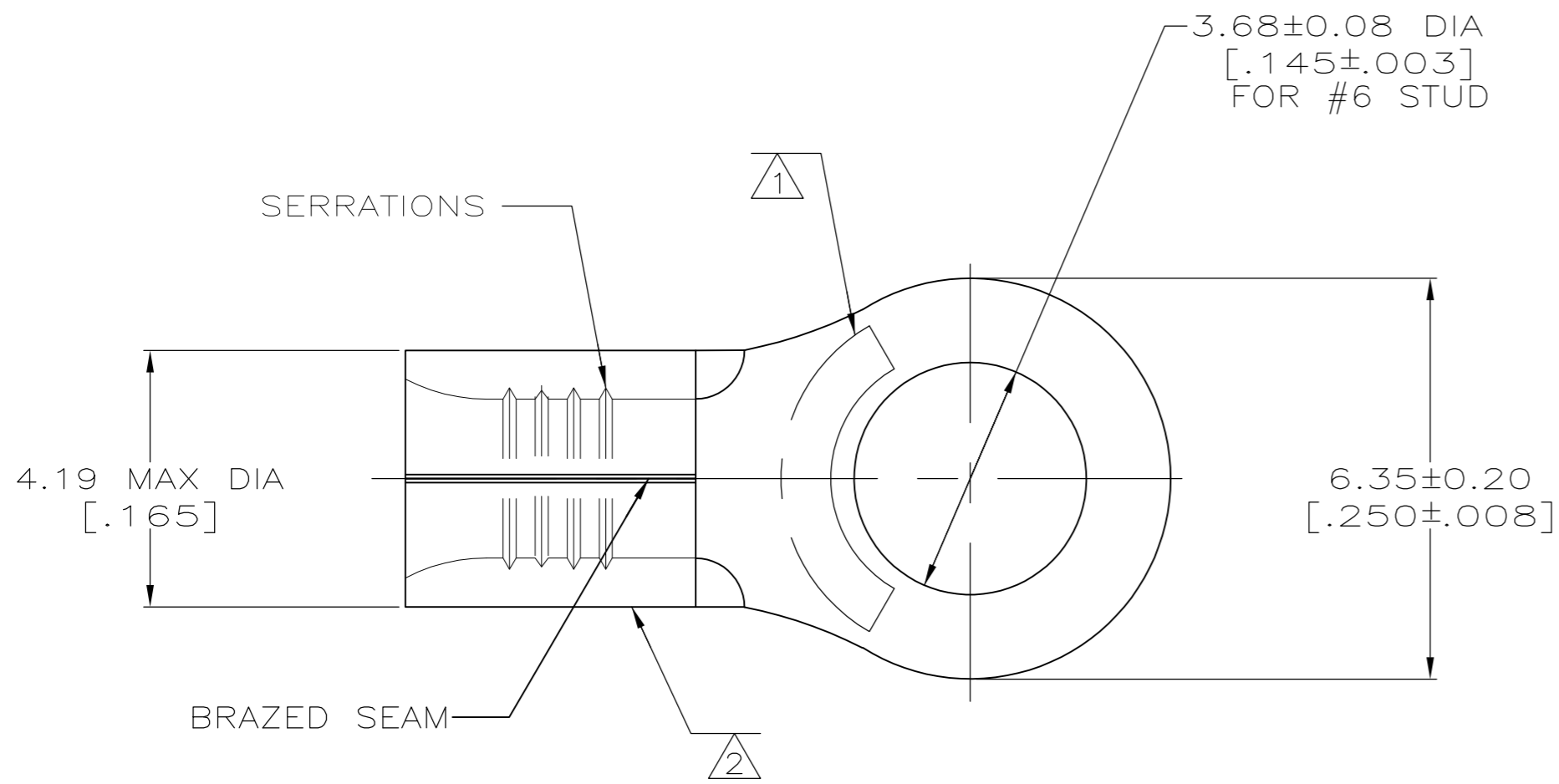


THIS DRAWING IS UNPUBLISHED. RELEASED FOR PUBLICATION
 © COPYRIGHT BY TYCO ELECTRONICS CORPORATION. ALL INTERNATIONAL RIGHTS RESERVED.

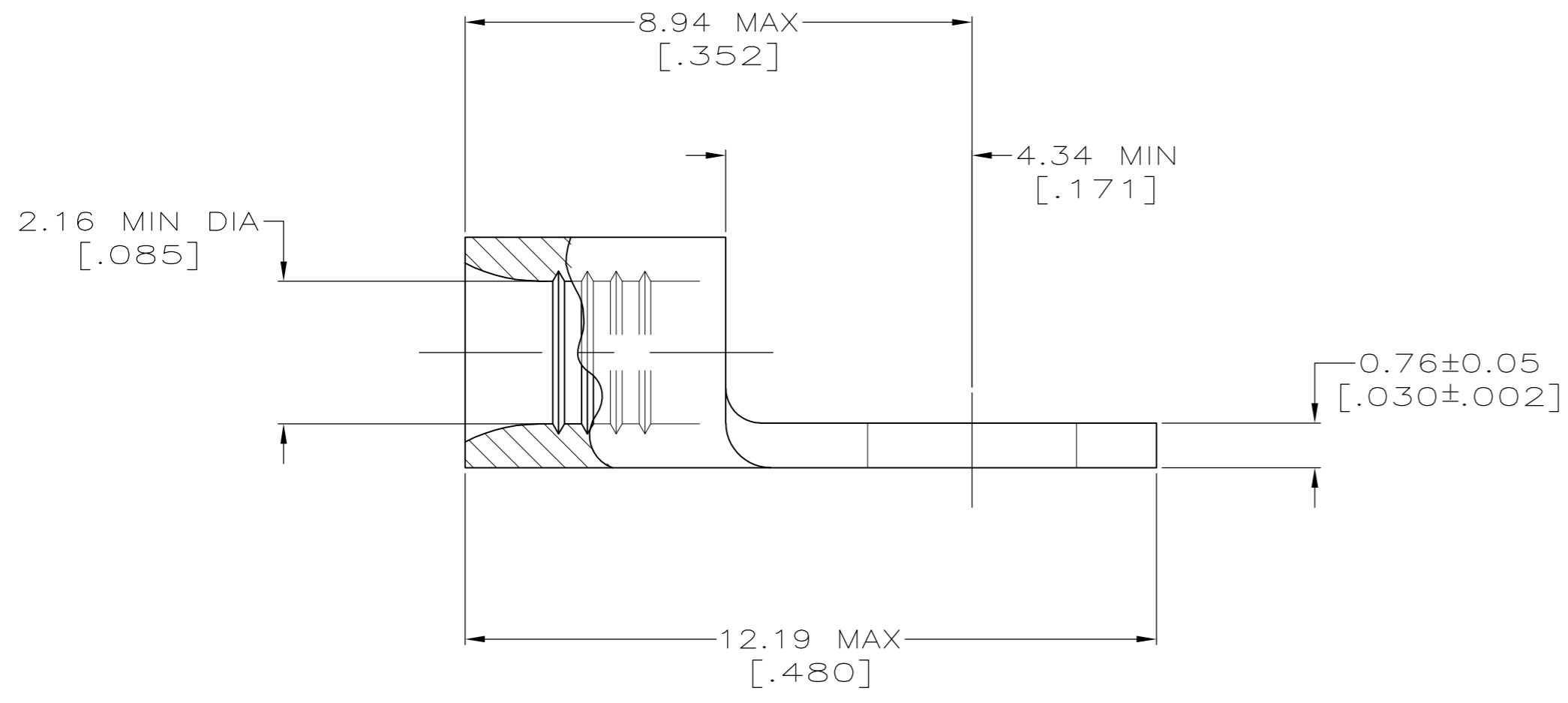
LOC	DIST	REVISIONS					
		P	LTR	DESCRIPTION	DATE	DWN	APVD
G	14	L		REV PER ECR 09-027862	23DEC09	JR	TM



AMP
WIRE RANGE

16-14 AWG
SOLID OR STRANDED

- ① STAMP AMP 16-14 APPROX AS SHOWN
- ② WIRE BARREL COLOR CODED ORANGE TO DENOTE NICKEL MATERIAL
- ③ NO COLOR CODING
- ④ NICKEL PER ASTM B162, ANNEALED



100	LOOSE PIECE, BOX	② 8-322329-1
5000	ON TAPE	② 2-322329-2
1000	LOOSE PIECE	③ 2-322329-1
1000	LOOSE PIECE	② 322329
QTY	PACKAGE TYPE	PART NO.

CUSTOMER SERVICE SYSTEMS		MAX RECOMMENDED OPERATING TEMPERATURE: 649°C	THIS DRAWING IS A CONTROLLED DOCUMENT.		DWN TA BRINKMAN 4-15-93	Tyco Electronics Corporation Harrisburg, PA 17105-3608	
FOR ADDITIONAL PRODUCT INFORMATION OR COPIES OF DRAWINGS AND TECHNICAL DOCUMENTS	PRODUCT INFORMATION CENTER 1-800-522-6752	VOLTAGE RATING: N/A	DIMENSIONS: MM [INCHES]	TOLERANCES UNLESS OTHERWISE SPECIFIED:	CHK DA PATTERSON 4-15-93		NAME TERMINAL, RING TONGUE, HIGH TEMPERATURE, STRATO-THERM™
FOR APPLICATION	TOOLING ASSISTANCE CENTER 1-800-722-1111	CIRCULAR MIL AREA: 1.04-2.62mm² [2,050-5,180] SOLID OR STRANDED		0 PLC ± - 1 PLC ± - 2 PLC ± - 3 PLC ± - 4 PLC ± - ANGLES ± -	APVD JL MECKLEY 4-15-93	SIZE A2	
TOOLING INFORMATION	1-800-722-1111			MATERIAL - ④	FINISH -	APPLICATION SPEC -	CAGE CODE 00779
FOR ORDER ENTRY	1-800-526-5142	THIS DRAWING IS A CONTROLLED DOCUMENT FOR AMP INCORPORATED. IT IS SUBJECT TO CHANGE AND THE CONTROLLING ENGINEERING ORGANIZATION SHOULD BE CONTACTED FOR THE LATEST REVISION.			PRODUCT SPEC -	DRAWING NO C=322329	
					WEIGHT -	RESTRICTED TO -	
CUSTOMER DRAWING						SCALE 10:1	SHEET 1 of 1
						REV L	

322329