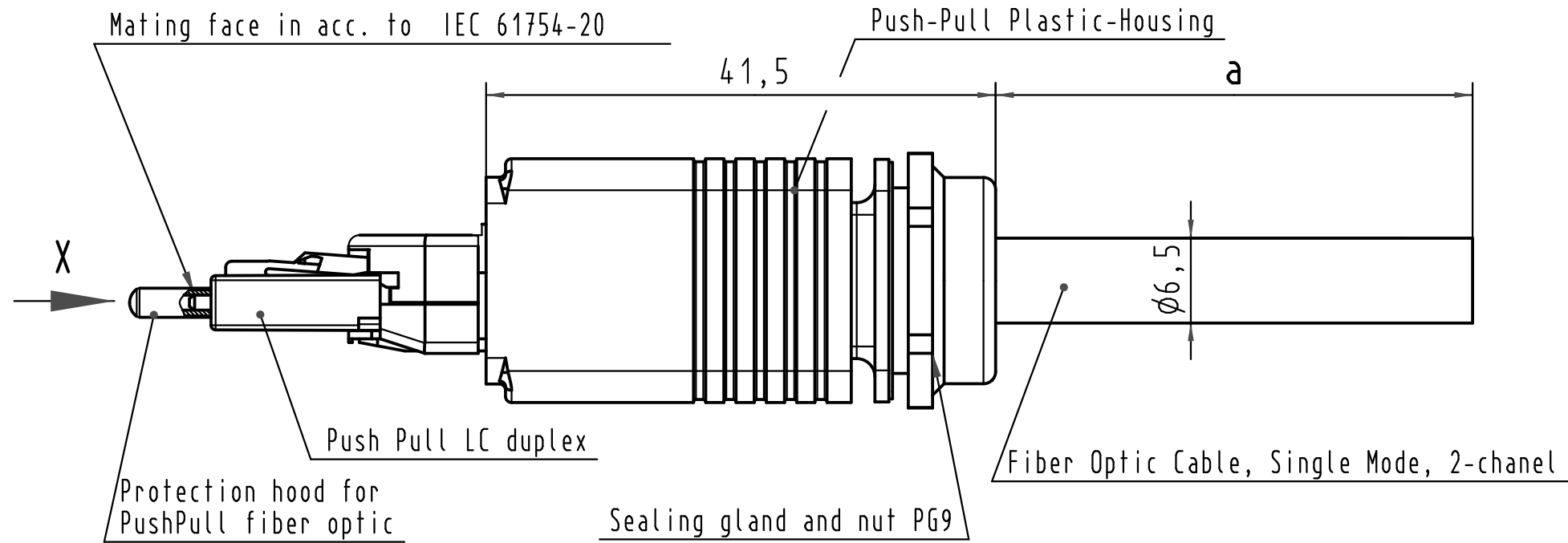
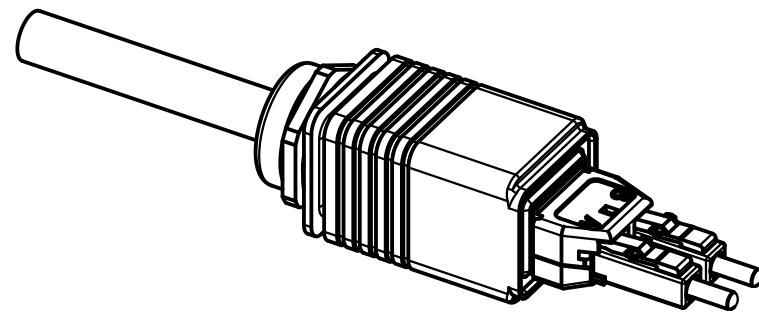
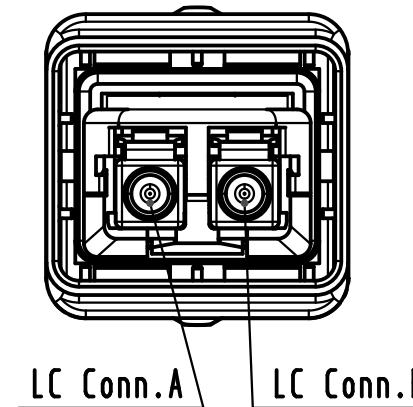
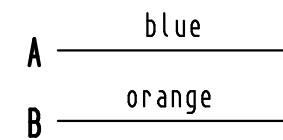


Alle Rechte vorbehalten/ All rights reserved



X
(without protection hood)

Loading-Plan



-Protection level: IP67/65
-Temperature range: -40°C ...+70°C

9	High strength fiber optic breakout cable Single Mode	33 58 111 300 0002	300 m
8	High strength fiber optic breakout cable Single Mode	33 58 111 100 0002	100 m
7	High strength fiber optic breakout cable Single Mode	33 58 111 060 0002	60 m
6	High strength fiber optic breakout cable Single Mode	33 58 111 050 0002	50 m
5	High strength fiber optic breakout cable Single Mode	33 58 111 040 0002	40 m
4	High strength fiber optic breakout cable Single Mode	33 58 111 020 0002	20 m
3	High strength fiber optic breakout cable Single Mode	33 58 111 010 0002	10 m
2	High strength fiber optic breakout cable Single Mode	33 58 111 005 0002	5 m
1	High strength fiber optic breakout cable Single Mode	33 58 111 001 0002	1 m

Cont No.	Type of cable	Part-No.	Dim. a
----------	---------------	----------	--------

	All Dimensions in mm Original Size DIN A 3			Techn. Character.			Nicht tolerierte Maß/Free size tolerances	
							2:1	Push Pull fiber optic assembly 1xPush Pull LC DUPLEX, plastic Single Mode
			Detail.	20.08.08	MR			
DRS 506A	21.05.09	MS	Insp.	20.08.08	RA			
EC00166	17.02.09	MR	Stand.					
35590	13.01.09	MR	HARTING Electronics GmbH & Co. KG				TB 33 58 111 xxx 0002	Blatt/ page Sub. Sub
35014			D-32339 ESPELKAMP					
Mod.	Dat.	Name						