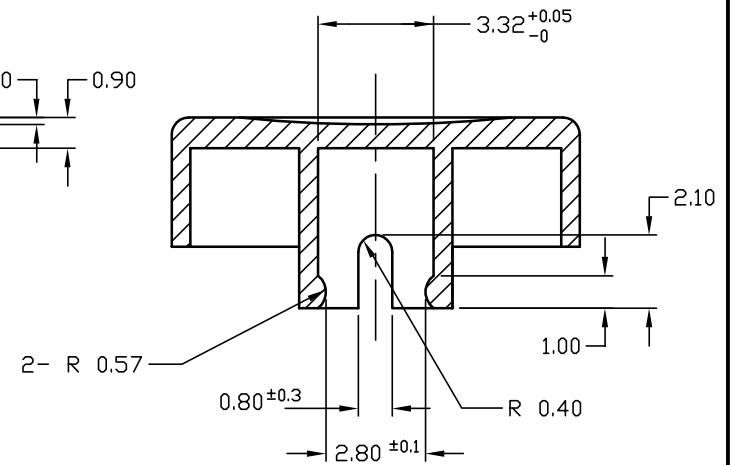


SECTION A-A DETAIL

Part Number Shown: 4J Button Black



SECTION B-B DETAIL

NOTES:

1. ALL DIMENSIONS IN MM
2. BUTTON MATERIAL: ABS LUCKY XR-401
3. BUTTON COLOR: RED

E-SWITCH®

TITLE

4JRED BUTTON

REV.	ECN No.	DESCRIPTION	DATE	CHKD
A	13423	RELEASED FOR PRODUCTION	9/4/03	AR

SCALE

3:1

DATE

9/4/03

DR

AR

DWG

P001053

REV

A

THE INFORMATION CONTAINED IN THIS DOCUMENT IS PROPRIETARY TO E-SWITCH AND IS NOT TO BE COPIED OR TRANSFERRED