

# Customer Information Sheet

DRAWING No.: M80-879XXXX

SHEET 2 OF 2

IF IN DOUBT - ASK

©

NOT TO SCALE

THIRD ANGLE PROJECTION

ALL DIMENSIONS IN mm

**SPECIFICATIONS:**

**MATERIAL:**

MOULDING = GLASS-FILLED PBT,  
UL94V-0, BLACK

CONTACTS = PHOSPHOR BRONZE

LATCH = BERYLLIUM COPPER

**FINISH:**

**CONTACTS:**

05 = 0.75µ GOLD

22 = 0.75µ GOLD ON CONTACT AREA.

3.0µ 90/10 TIN/LEAD ON TAILS

LATCH = 1.25µ NICKEL

**MECHANICAL:**

DURABILITY = 500 OPERATIONS

INSERTION FORCE (∅0.5mm GAUGE) = 2.8N MAX

WITHDRAWAL FORCE (∅0.5mm GAUGE) = 0.2N MIN

**PACKING:**

TUBE

**ELECTRICAL:**

CURRENT RATING AT 25°C = 3.0A MAX.

CURRENT RATING AT 85°C = 2.2A MAX.

WORKING VOLTAGE = 800V AC/DC

VOLTAGE PROOF = 1200V AC/DC

CONTACT RESISTANCE (INITIAL) = 20 mΩ MAX.

CONTACT RESISTANCE (AFTER CONDITIONING) = 25 mΩ MAX.

INSULATION RESISTANCE (INITIAL) = 1000 MΩ MIN.

INSULATION RESISTANCE (AFTER CONDITIONING) = 100 MΩ MIN.

**ENVIRONMENTAL:**

TEMPERATURE RANGE = -55°C TO +125°C

FOR COMPLETE SPECIFICATION, SEE COMPONENT SPECIFICATION C005XX (LATEST ISSUE)

**NOTES:**

- 2-OFF STRAIN RELIEF STRAPS M80-0030006 CAN BE ORDERED SEPARATELY IF REQUIRED.
- FOR RoHS COMPLIANT EQUIVALENT PRODUCT USE M80-852XXXX.

BRITISH STANDARD ORDER CODE: TO BS9525 F0033

**B5743-1XX-M-T-X**

TOTAL No. OF WAYS \_\_\_\_\_

02 - 07, 17, 22.

**FINISH:**

0 = SELECTIVE GOLD

2 = GOLD

ORDER CODE:

**M80-879XXXX**

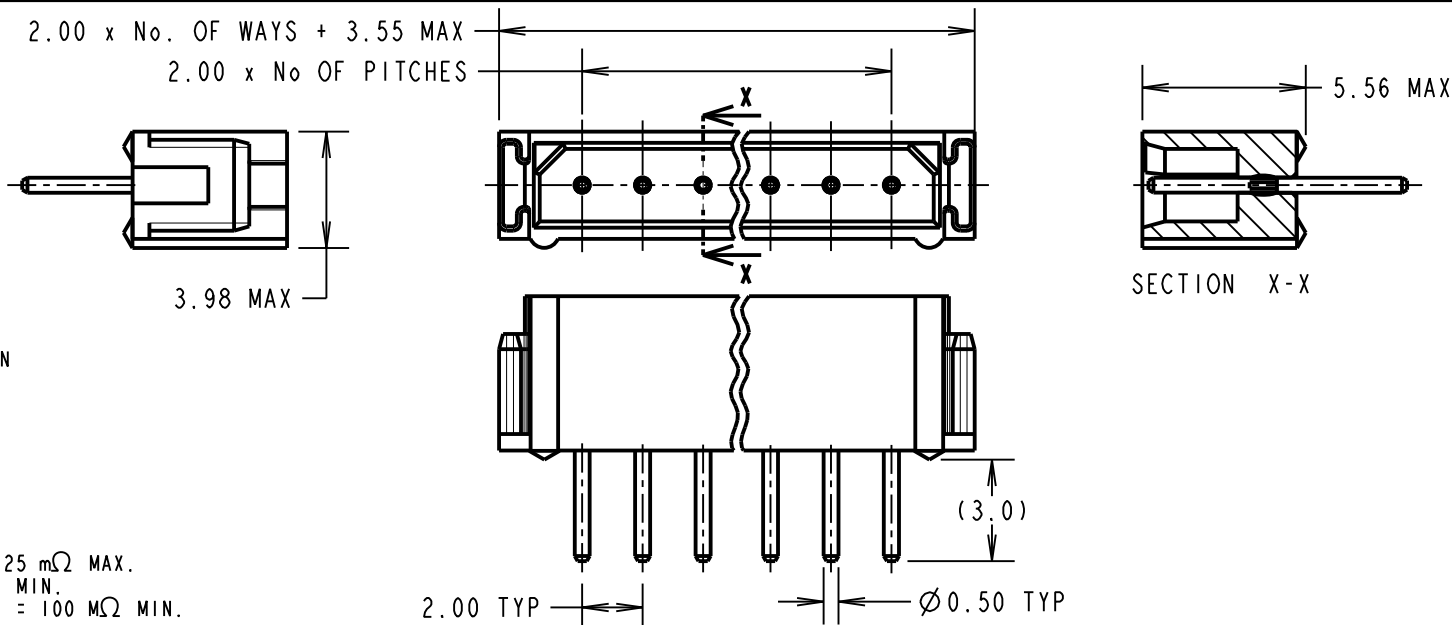
TOTAL No. OF WAYS \_\_\_\_\_

02 - 07, 17, 22.

**FINISH:**

05 = GOLD

22 = SELECTIVE GOLD



RECOMMENDED PCB LAYOUT

SB	14	06.03.12	11672
NAME	ISS.	DATE	C/NOTE
APPROVED:		S.BENNETT	
CHECKED:		S.FLOWER	
DRAWN:		W.J.BOURNE	
CUSTOMER REF.:			
ASSEMBLY DRG:			



www.harwin.com  
technical@harwin.com

THIS DRAWING AND ANY INFORMATION OR DESCRIPTIVE MATTER SET OUT HEREON ARE CONFIDENTIAL AND COPYRIGHT PROPERTY OF THE HARWIN GROUP AND MUST NOT BE DISCLOSED, LOANED, COPIED OR USED FOR MANUFACTURING, TENDERING OR FOR ANY OTHER PURPOSE WITHOUT THEIR WRITTEN PERMISSION.

**TOLERANCES**  
X. = ±1mm  
X.X = ±0.25mm  
X.XX = ±0.10mm  
X.XXX = ±0.01mm  
**ANGLES = ±5°**  
**UNLESS STATED**

**MATERIAL:**  
SEE ABOVE  
**FINISH:** SEE ABOVE  
**S/AREA:** mm<sup>2</sup>

**TITLE:** DATAMATE 2mm PITCH VERTICAL MALE PC TAIL SIL ASSEMBLY - UNLATCHED  
**DRAWING NUMBER:** M80-879XXXX  
**SHT** 2 **OF** 2