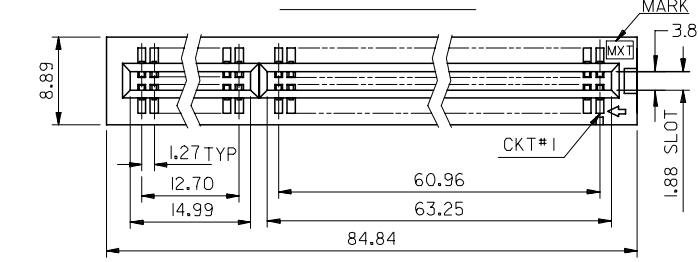
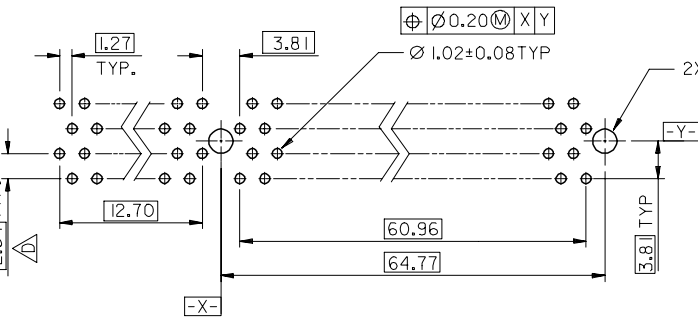
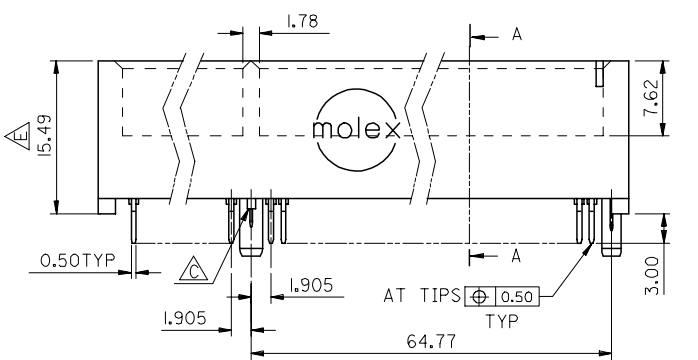


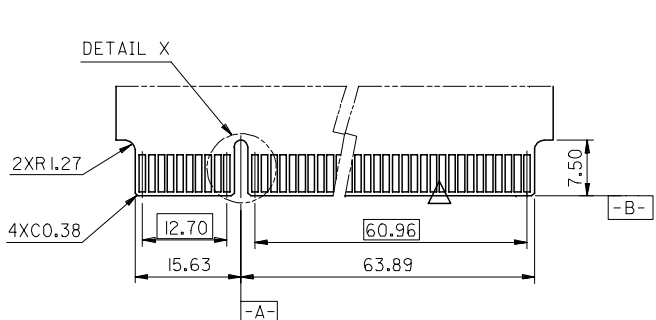
WITH TWO END CUTS



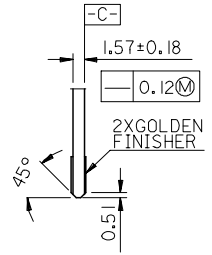
WITH ONE END CUT



RECOMMENDED CONNECTOR MOUNTING HOLE PATTERN

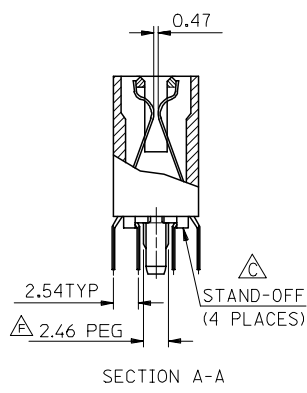


RECOMMENDED MATING P.C.BOARD EDGE CONFIGURATION

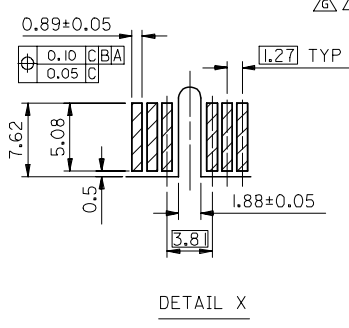


NOTES :

- MATERIAL :
- HOUSING : PPS
- TERMINAL : PHOSPHOR BRONZE.
- FINISH 0 : GOLD FLASH IN CONTACT AREA.
- 152 MICROMETER / 60 MICRONCH MN. MAT TN IN SOLDER TAL.
- BOTH OVER 0.76 MICROMETER / 30 MICRONCH MN. NICKEL OVERALL.
- 1 : 0.25 MICROMETER / 10 MICRONCH GOLD IN CONTACT AREA.
- 152 MICROMETER / 60 MICRONCH MN. MAT TN IN SOLDER TAL.
- BOTH OVER 0.76 MICROMETER / 30 MICRONCH MN. NICKEL OVERALL.
- 2 : 0.38 MICROMETER / 15 MICRONCH GOLD IN CONTACT AREA.
- 152 MICROMETER / 60 MICRONCH MN. MAT TN IN SOLDER TAL.
- BOTH OVER 0.76 MICROMETER / 30 MICRONCH MN. NICKEL OVERALL.
- 3 : 0.76 MICROMETER / 30 MICRONCH GOLD IN CONTACT AREA.
- 152 MICROMETER / 60 MICRONCH MN. MAT TN IN SOLDER TAL.
- BOTH OVER 0.76 MICROMETER / 30 MICRONCH MN. NICKEL OVERALL.
- 4 : 0.50 MICROMETER / 20 MICRONCH GOLD IN CONTACT AREA.
- 152 MICROMETER / 60 MICRONCH MN. MAT TN IN SOLDER TAL.
- BOTH OVER 0.76 MICROMETER / 30 MICRONCH MN. NICKEL OVERALL.



SECTION A-A



DETAIL X

PART NO. LEGEND : 89177 - 6 0 **

PEG VERSION & COLOR	PLATING VERSION
0 : STANDARD ; BROWN ,WITH ONE END CUT	0
1 : STANDARD ; WHITE ,WITH ONE END CUT	1
2 : STANDARD ; BROWN ,WITH TWO END CUTS	2
3 : STANDARD ; WHITE ,WITH TWO END CUTS	3
	4

EWR 2006-0035 EC NO: SH2006-0520 DRWN: ALLIN 2006/06/26 CHKD: 2006/06/27 APPR: WWSCHANG 2006/06/30	QUALITY SYMBOLS ▽=0 ▽=0	GENERAL TOLERANCES (UNLESS SPECIFIED)		DIMENSION STYLE		SCALE	DESIGN UNITS	THIRD ANGLE PROJECTION
		(UNLESS SPECIFIED)		MM ONLY				
				mm	INCH	TED CHEN 1996/09/17	1.27 EDGE CARD CONN. (120CKT)	
				4 PLACES ± --- ± ---	3 PLACES ± --- ± ---	2 PLACES ± 0.25 ± ---		1 PLACES ± 0.25 ± ---
		ANGULAR ± 3 °		APPROVED BY DATE		MEGA LIN 1996/09/17		MOLEX INCORPORATED DOCUMENT NO. SDA-89177-60** SHEET NO. 1 OF 1
		DRAFT WHERE APPLICABLE MUST REMAIN WITHIN DIMENSIONS		SEE NOTES				