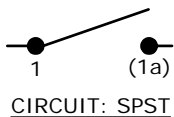


RECOMMENDED PANEL MOUNTING

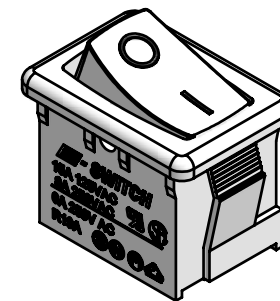
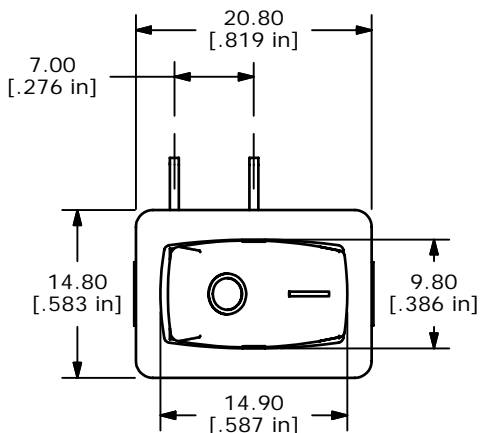
| PANEL THICKNESS | X |
|-----------------|------|
| 0.75-1.25 | 19.2 |
| 1.25-2.00 | 19.4 |
| 2.00-3.00 | 19.8 |

| SWITCH FUNCTION | | |
|-----------------|--------|--------|
| POS. 1 | POS. 2 | POS. 3 |
| ON | NONE | OFF |
| 1a-1 | OPEN | OPEN |

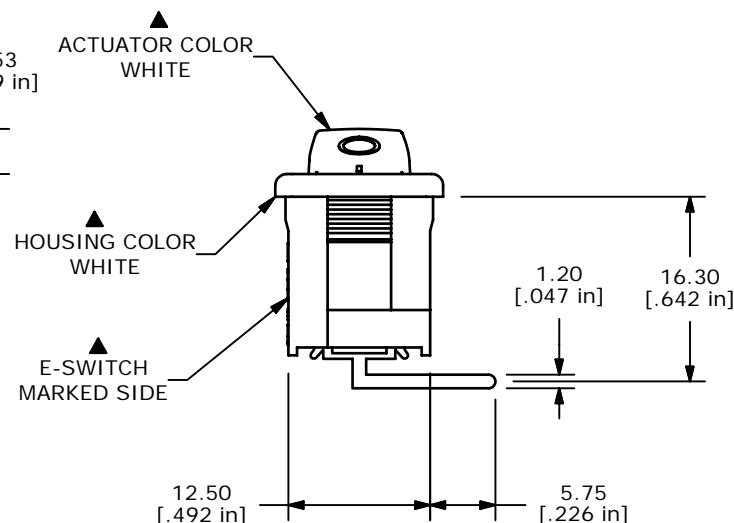
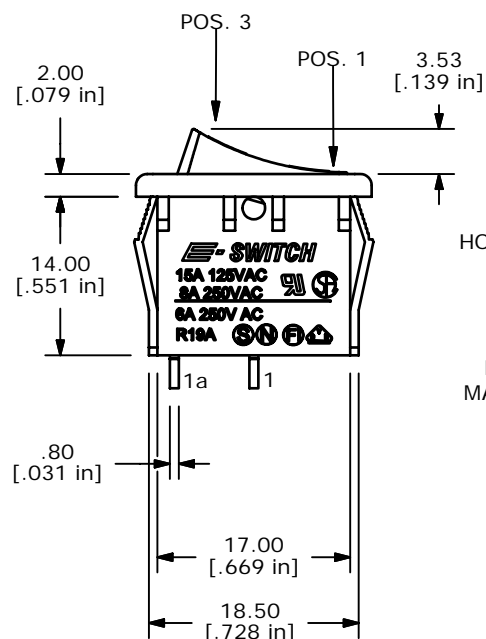


NOTES:

1. ALL DIMENSIONS IN MM [INCH]
2. GENERAL TOLERANCE: X.X=±0.4
X.XX=±0.25
3. TERM. NOS. FOR REF. ONLY
4. RATING: 15A @125VAC;
8A @250VAC.
- ▲5. LAMP VOLTAGE: NO LAMP
6. MATERIAL:
CONTACT SURFACE: COIN SILVER, SILVER PLATED.
TERMINAL: COPPER ALLOY w/SILVER PLATE
7. ELECTRICAL LIFE: 10,000 CYCLES
8. CONTACT RESISTANCE: <20 MILLI-OHMS INITIAL
9. DIELECTRIC STRENGTH: >1,500V AC 1 MIN
10. ▲DENOTES CRITICAL PARAMETER.



ISOMETRIC



E-SWITCH®

| REV | PCR NO | DESCRIPTION | DATE | BY |
|-----|--------|-------------------------|---------|----|
| B | 14971 | CHANGED MODEL | 6/2/05 | JB |
| A | 14815 | RELEASED FOR PRODUCTION | 4/27/05 | JB |

| | | | | |
|----------------------|----------------|-------|-------------|-------|
| TITLE R1966AWHTWHTFL | | | | |
| SCALE 1.5:1 | DATE 4/27/2005 | DR JB | DWG M301238 | REV B |

THE INFORMATION CONTAINED IN THIS DOCUMENT IS PROPRIETARY TO E-SWITCH AND IS NOT TO BE COPIED OR TRANSFERRED