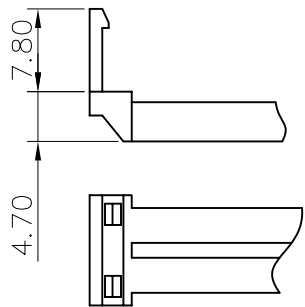
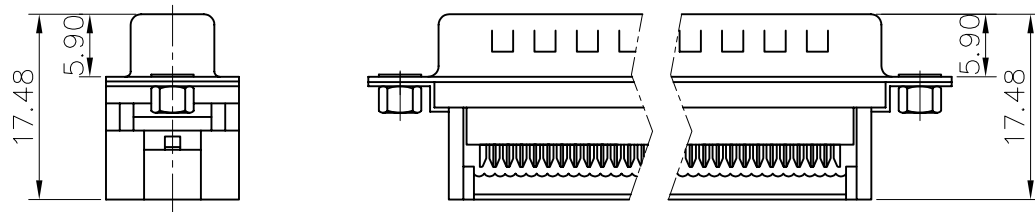
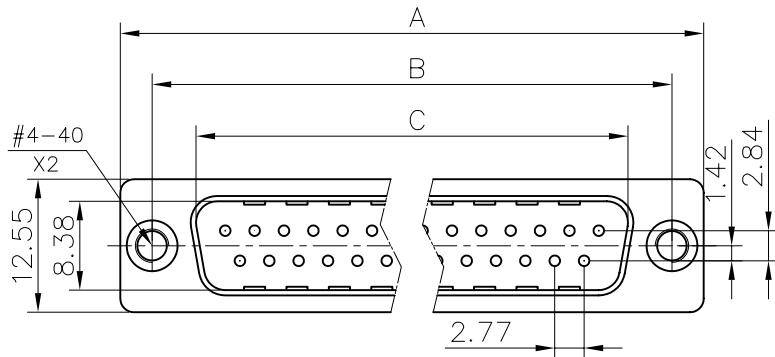


This document is the property of Amphenol Corporation and is delivered on the express condition that it is not to be disclosed, reproduced or used, in whole or in part, for manufacture or sale by anyone other than Amphenol Corporation without its prior consent, & that no right is granted to disclose or to use any information in this document.



Strain Relief

# Customer drawing



| Nb OF CONTACTS | A     | B     | C     |
|----------------|-------|-------|-------|
| 09             | 30.84 | 24.99 | 16.92 |
| 15             | 39.24 | 33.32 | 25.50 |
| 25             | 53.04 | 47.04 | 38.96 |
| 37             | 69.32 | 63.50 | 55.42 |

| REVISIONS |     |             |          |          |
|-----------|-----|-------------|----------|----------|
| SYM       | ECN | DESCRIPTION | DATE     | APPROVED |
| 1         |     |             | 11/28/08 |          |

## D-SUB TECHNICAL DATA

SHELL : Steel, 100u"min tin over 50u"min nickel  
 BODY : Glass filled thermoplastic.  
 Flame retardant to UL94 V-0 color black  
 CONTACTS : Brass, 30u" min. gold over 1.25um (50u") min nickel on mating area, 100u" min. tin over 50u" min. nickel  
 REAR INSERT : Brass, nickel plated.  
 ELECTRICAL : Voltage rating : 250 V RMS at 60 Hz.  
 Current rating 5A  
 Insulation resistance >1000 M Ohms  
 Contact resistance 20 mOhms max.  
 CLIMATIC : Temperature range -55°C up to 125°C  
 MARKING : Amphenol...(Series No.)  
 Commercial reference  
 Manufacturing date

## PRODUCT CODE

**L 17D X FR D A XX P C309**

L : RoHS Compliance

17D : tinned shell for plug and receptacle

Shell size : E,A,B,C

Flat ribbon cable type

C309:30u" gold plating

Contact type P=Pin

Configuration : 09,15,25,37

Type : A=front metal shell

D=Rear insert 4-40

| UNLESS OTHERWISE SPECIFIED TOLERANCES |        | APPROVAL            |         | DATE     |
|---------------------------------------|--------|---------------------|---------|----------|
| U.S.                                  | METRIC | DRAWN               | Checked | 11/28/08 |
| .X +/-                                | 0.4    |                     |         |          |
| .XX +/-                               | 0.30   |                     |         |          |
| .XXX +/-                              | 0.20   |                     |         |          |
| FRACTIONS +/-                         | 2'     |                     |         |          |
| ANGLES +/-                            |        |                     |         |          |
| FOR MATERIALS AND FINISHES SEE NOTES  |        | DRAWING FILE :      |         |          |
| REMOVE SHARP EDGES                    |        | ANGLE OF PROJECTION |         |          |
| DIMENSIONS                            |        |                     |         |          |
| U.S.                                  | INCHES |                     |         |          |
| METRIC                                | MM     |                     |         |          |

|                                      |                    |              |
|--------------------------------------|--------------------|--------------|
| Amphenol®                            |                    |              |
| TITLE<br>IDC Flat Cable D-Sub Series |                    |              |
| SIZE                                 | DRAWING NO.        | REV.         |
| A4                                   | C L17DXFRDAXXPC309 | 1            |
| SCALE                                | NONE               | SHEET 1 OF 1 |