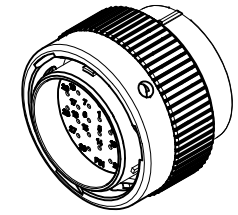
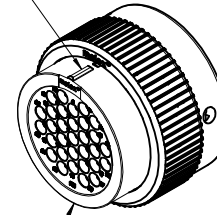


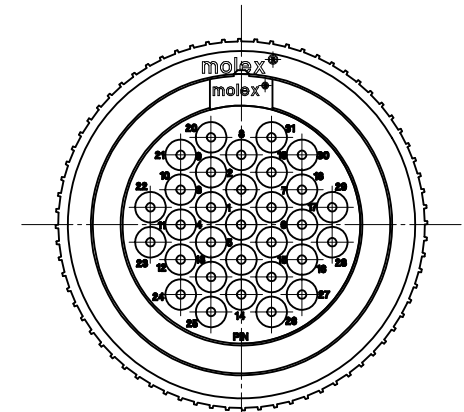
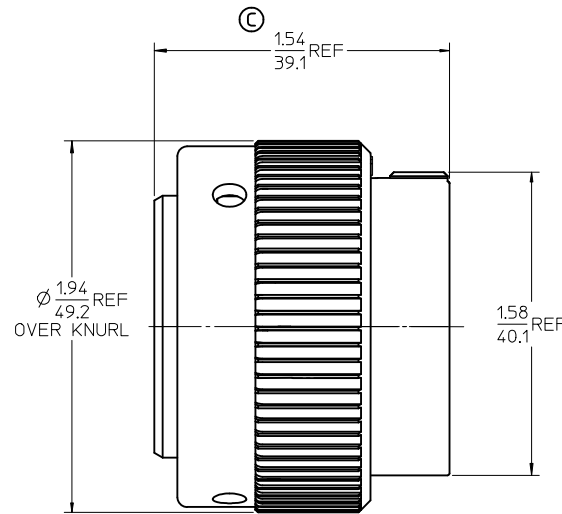
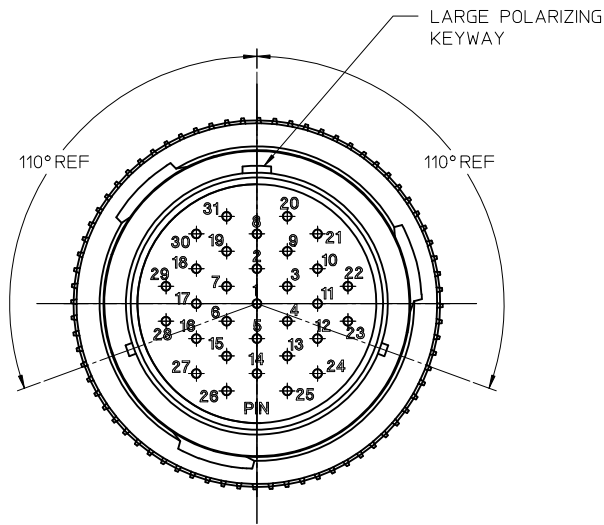
| | | | | | | | | | | | | |
|-----------------|----------|---------------------|-----------------|---|---|---|---|---|---|---|---|---|
| 13 | 12 | 11 | 10 | 9 | 8 | 7 | 6 | 5 | 4 | 3 | 2 | 1 |
| MATERIAL NUMBER | WIRE AWG | INSULATION DIA O.D. | RING | | | | | | | | | |
| 845050001 | 18-14 | .053-.134/1.35-3.40 | STANDARD, BLACK | | | | | | | | | |

LARGE POLARIZING
KEYWAY INDICATOR



STANDARD
BLACK RING

ASSEMBLED ISOVIEW
SCALE 1:1



WIRE ENTRY VIEW
SCALE 2:1

NOTES:

1. USE CONNECTOR WITH MALE CRIMP TERMINAL SERIES 84524. Ⓢ
2. MATES WITH RECEPTACLE CONNECTOR SERIES 84506.
3. ASSEMBLY IS ROHS COMPLIANT.
4. PACKAGED PER PK-84501-001.

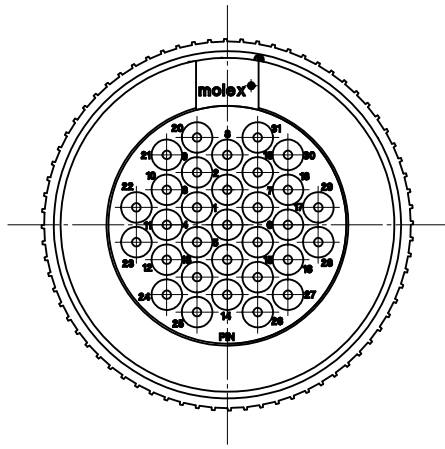
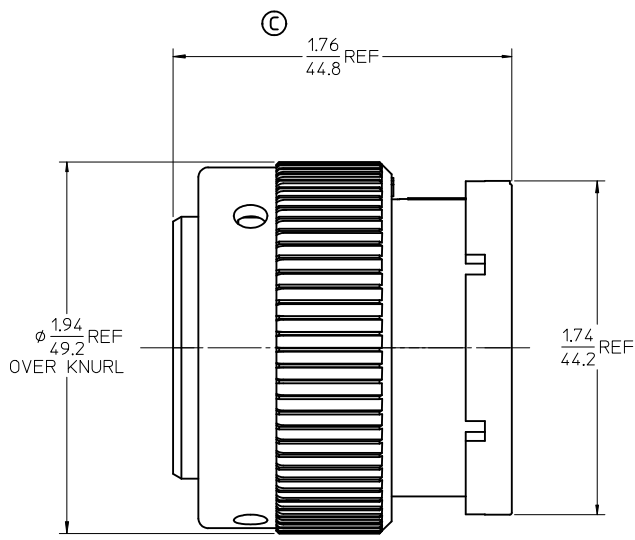
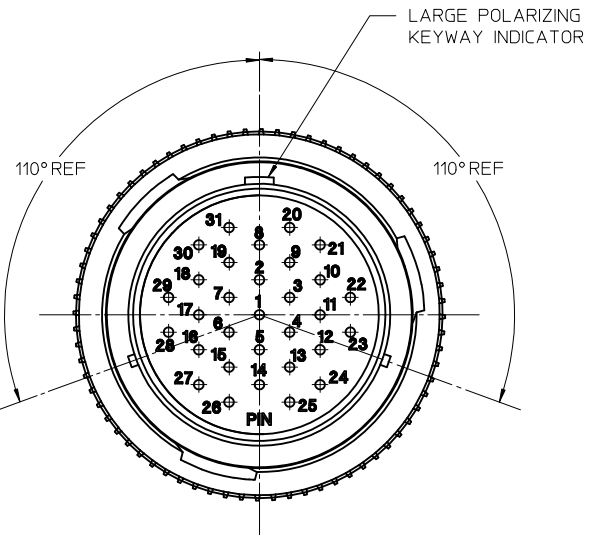
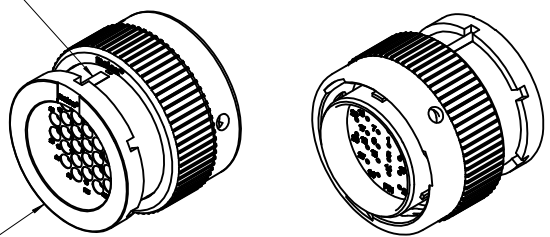
| | | | | | | |
|--|-----------------|--|--|--|---------------------|-----------------------------|
| UPDATE DIM. & TERM. SERIES EC NO: MNA2011-0306 DRN:WLEUNG 2010/12/13 CHKD: APPR:DJTITUS 2011/01/14 | QUALITY SYMBOLS | GENERAL TOLERANCES (UNLESS SPECIFIED) | DIMENSION STYLE | SCALE | DESIGN UNITS | THIRD ANGLE PROJECTION |
| | ▽=0 ▽=0 | mm INCH 4 PLACES ± --- ± --- 3 PLACES ± --- ± --- 2 PLACES ± --- ± .015 1 PLACE ± 0.38 ± --- ANGULAR ± 2° | IN/MM DRAWN BY DATE BRUPERT 2006/3/21 CHECKED BY DATE JPAWLICKI 2006/6/16 APPROVED BY DATE RDEROSS 2006/6/17 | 2:1 | INCH | Molex MOLEX INCORPORATED |
| | | DRAFT WHERE APPLICABLE MUST REMAIN WITHIN DIMENSIONS | MATERIAL NO. 845050001 | DOCUMENT NO. SD-84505-001 | SHEET NO. 1 OF 2 | |
| | | | SIZE C | THIS DRAWING CONTAINS INFORMATION THAT IS PROPRIETARY TO MOLEX, INCORPORATED AND SHOULD NOT BE USED WITHOUT WRITTEN PERMISSION | | |

| | | | | |
|-----------------|----------|---------------------|---------------------|---|
| 13 | 12 | 11 | 10 | 9 |
| MATERIAL NUMBER | WIRE AWG | INSULATION DIA O.D. | RING | |
| 845050003 | 18-14 | .053-.134/1.35-3.40 | EXTENDED LIP, BLACK | |

LARGE POLARIZING KEYWAY INDICATOR

EXTENDED LIP
BLACK RING

ASSEMBLED ISOVIEW
SCALE 1:1



WIRE ENTRY VIEW
SCALE 2:1

NOTES:

1. USE CONNECTOR WITH MALE CRIMP TERMINAL SERIES 84524. ©
2. MATES WITH RECEPTACLE CONNECTOR SERIES 84506.
3. USE CONNECTOR WITH STRAIN RELIEF BACKSHELL, MOLEX MATERIAL NO. 84537-0003.
4. ASSEMBLY IS ROHS COMPLIANT.
5. PACKAGED PER PK-84501-001.

| | | | | | | | | | | | | | | | | | | | | | |
|---|--|---|---|---|------|------------------|--------|---------|----------|--------|---------|----------|--------|--------|---------|--------|--------|-----------------|-------|--------------|------------------------|
| UPDATE DIM. & TERM. SERIES EC NO: MNA2011-0306 DRAWING/REV: 2010/12/13 CHKD: APPR:DTITUS 2011/01/14 | QUALITY SYMBOLS | GENERAL TOLERANCES (UNLESS SPECIFIED) <table border="1"> <tr> <td></td> <td>mm</td> <td>INCH</td> </tr> <tr> <td>4 PLACES</td> <td>± .005</td> <td>± .0005</td> </tr> <tr> <td>3 PLACES</td> <td>± .005</td> <td>± .0005</td> </tr> <tr> <td>2 PLACES</td> <td>± .005</td> <td>± .015</td> </tr> <tr> <td>1 PLACE</td> <td>± 0.38</td> <td>± .015</td> </tr> </table> ANGULAR ± 2° | | mm | INCH | 4 PLACES | ± .005 | ± .0005 | 3 PLACES | ± .005 | ± .0005 | 2 PLACES | ± .005 | ± .015 | 1 PLACE | ± 0.38 | ± .015 | DIMENSION STYLE | SCALE | DESIGN UNITS | THIRD ANGLE PROJECTION |
| | | | mm | INCH | | | | | | | | | | | | | | | | | |
| | 4 PLACES | | ± .005 | ± .0005 | | | | | | | | | | | | | | | | | |
| | 3 PLACES | | ± .005 | ± .0005 | | | | | | | | | | | | | | | | | |
| 2 PLACES | ± .005 | ± .015 | | | | | | | | | | | | | | | | | | | |
| 1 PLACE | ± 0.38 | ± .015 | | | | | | | | | | | | | | | | | | | |
| | IN/MM | 1:1 | INCH | | | | | | | | | | | | | | | | | | |
| | DRAWN BY | DATE | TITLE | | | | | | | | | | | | | | | | | | |
| | CHECKED BY | DATE | PLUG CONNECTOR ASSEMBLY, 24-31 POS PIN TERMINALS | | | | | | | | | | | | | | | | | | |
| | | APPROVED BY | DATE | MOLEX INCORPORATED | | | | | | | | | | | | | | | | | |
| | | RDEROSS | 2006/6/7 | MATERIAL NO. 845050003 DOCUMENT NO. SD-84505-001 | | SHEET NO. 2 OF 2 | | | | | | | | | | | | | | | |
| | DRAFT WHERE APPLICABLE MUST REMAIN WITHIN DIMENSIONS | | THIS DRAWING CONTAINS INFORMATION THAT IS PROPRIETARY TO MOLEX INCORPORATED AND SHOULD NOT BE USED WITHOUT WRITTEN PERMISSION | | | | | | | | | | | | | | | | | | |