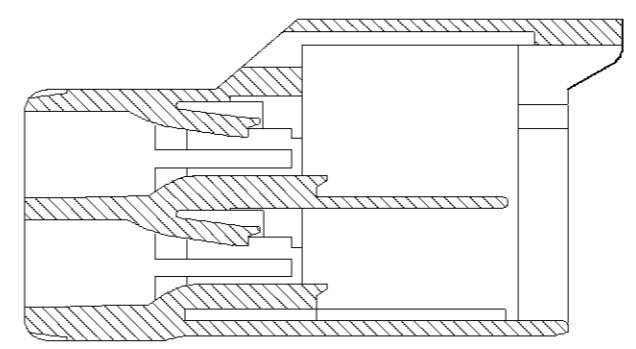
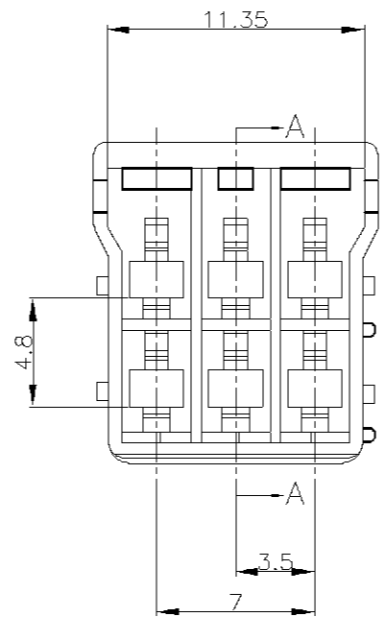
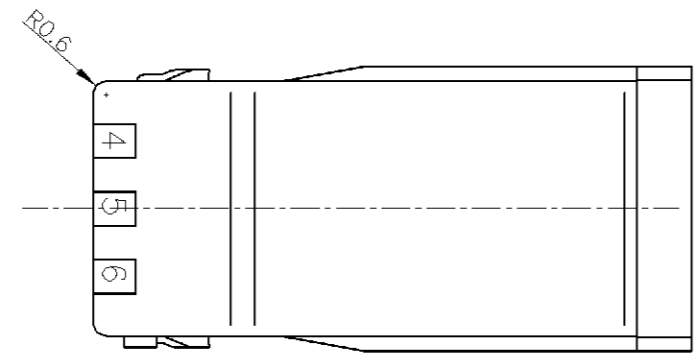
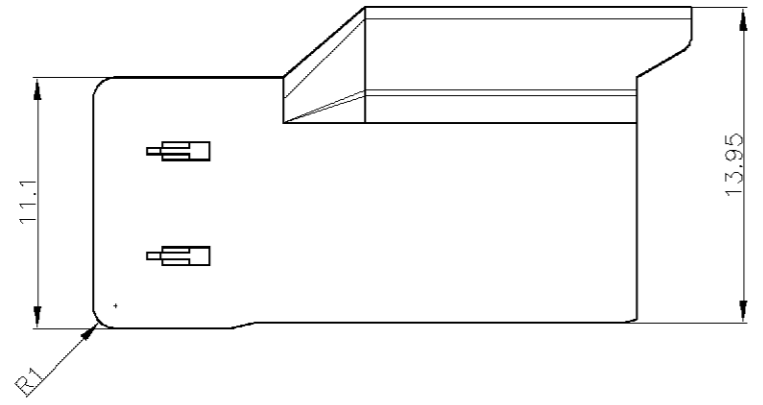
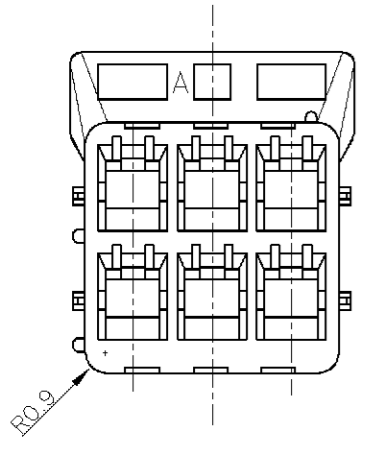
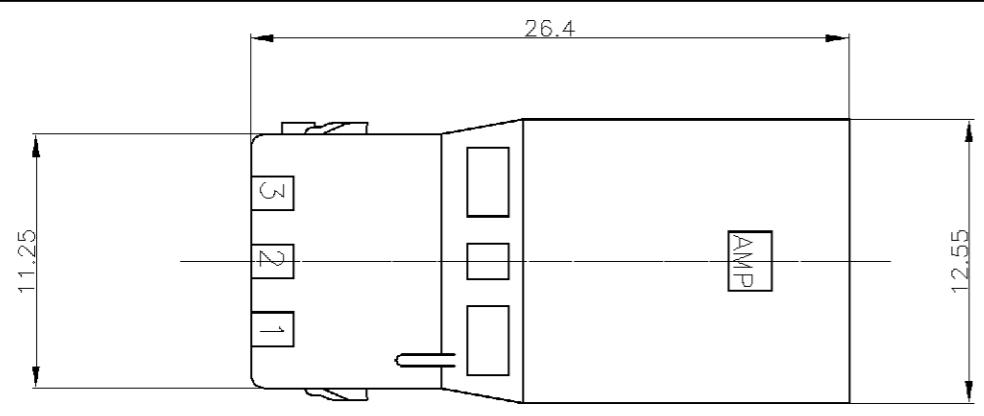


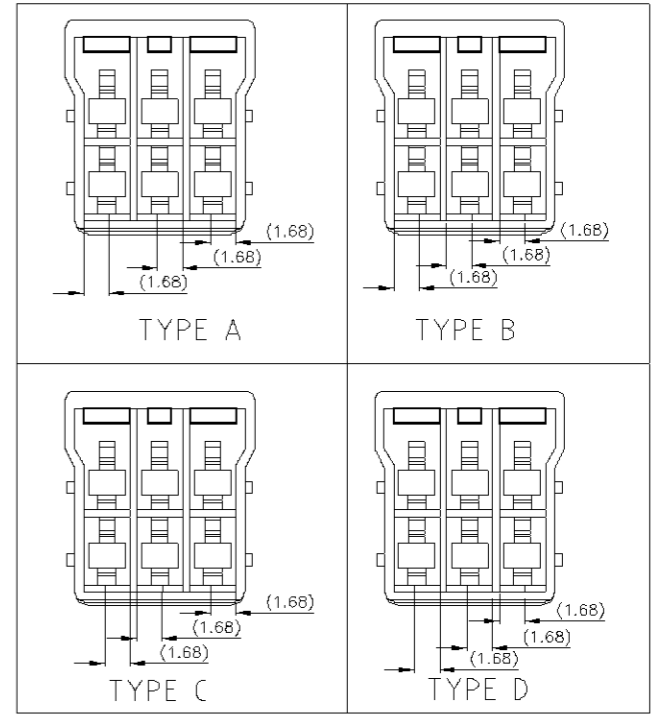
THIS DRAWING IS UNPUBLISHED. RELEASED FOR PUBLICATION
 © COPYRIGHT BY TYCO ELECTRONICS CORPORATION. ALL RIGHTS RESERVED.

LOC	DIST	REVISIONS					
J	-	P	LTR	DESCRIPTION	DATE	DWN	APVD
			0	RELEASED FJ00-2828-01	30 MAY. '02	A.O	M.S



断面A-A

KEYING TYPE



3-1565084-4	D	YELLOW	3-1565088-4
2-1565084-3	C	BLUE	2-1565088-3
1-1565084-2	B	RED	1-1565088-2
1565084-1	A	NATURAL	1565088-1
MATING HSG P/N	KEYING TYPE	COLOR	P/N

注) 1.一般公差:±0.25
 △材料:66ナイロン ガラス無(UL94V-0)
 △かん合相手製品型番
 プラグハウジング: TABLE参照のこと
 タブコンタクト: 1565080-1,1612335-1
 4. 適応プレート型番: 1565090-1

NOTES)
 1.GENERAL TOLERANCE:±0.25
 △MATERIAL:66 NYLON NON-GLASS FILLED (UL94V-0)
 △MATING CONN. P/N
 PLUG HOUSING:SEE TABLE
 TAB CONTACT ;1565080-1,1612335-1
 4. APPLICABLE PLATE P/N :1565090-1

THIS DRAWING IS A CONTROLLED DOCUMENT.		DWN A.OISHI 30 MAY. '02	tyco Tyco Electronics AMP K.K.	
DIMENSIONS: 単位: 耗 MM		CHK M.SHINDO 30 MAY. '02	Electronics Kawasaki, Japan	
TOLERANCES UNLESS OTHERWISE SPECIFIED: 一般公差		APVD M.SHINDO 30 MAY. '02	NAME 名称 GRACE INERTIA CONNECTOR 3.5 6POS CAP HOUSING(2ROW)	
0 PLC ±- 1 PLC ±- 2 PLC ±- 3 PLC ±- 4 PLC ±- ANGLES ±-		PRODUCT SPEC 製品規格 108-5810	APPLICATION SPEC 取付適用規格 114-5306	
MATERIAL 材料 SEE NOTE△		WEIGHT -	SIZE A3	CAGE CODE 00779
		DRAWING NO 番号 C-1565088		RESTRICTED TO -
CUSTOMER DRAWING		SCALE 尺度 -	SHEET 1 OF 1	REV 0