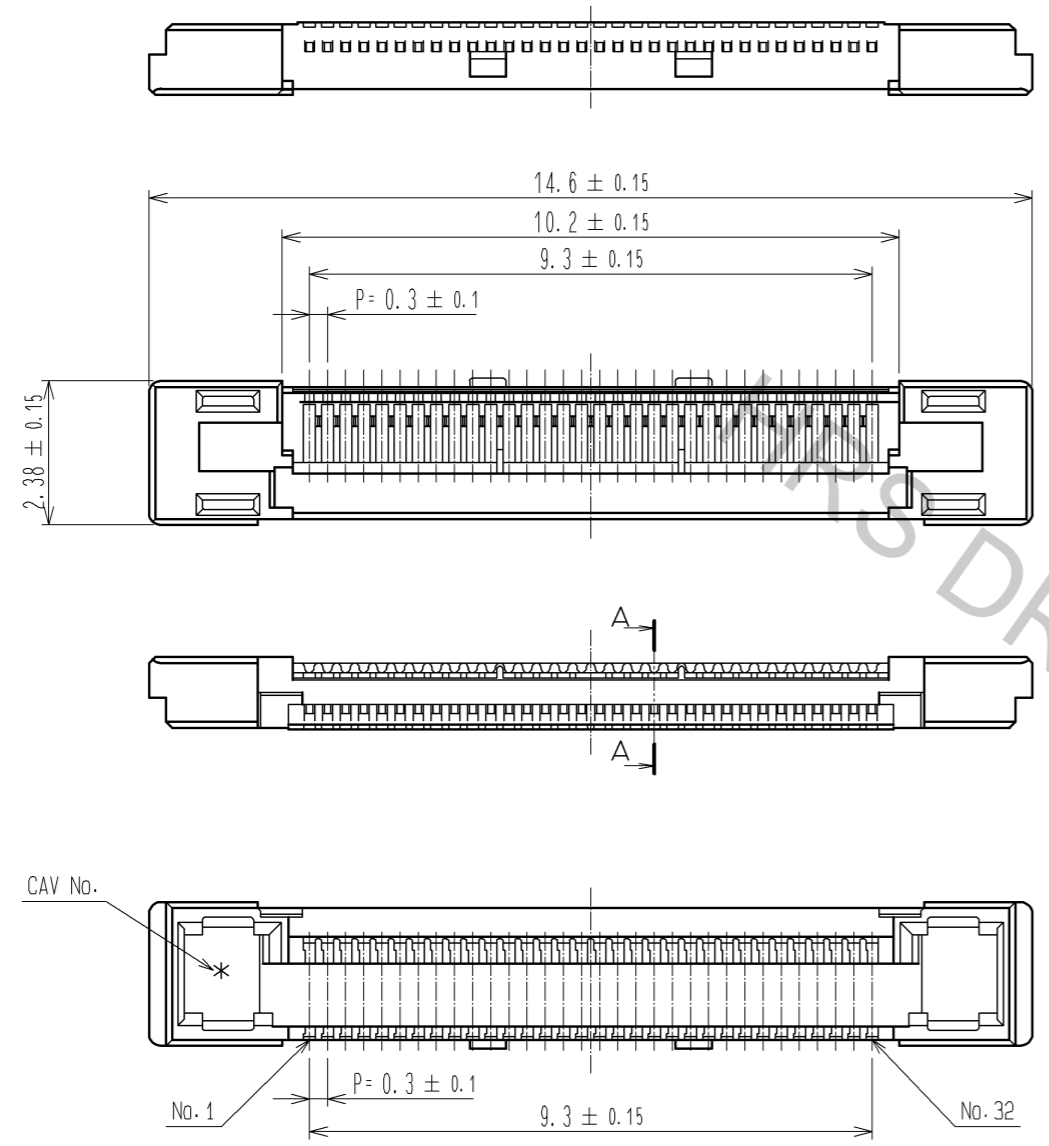
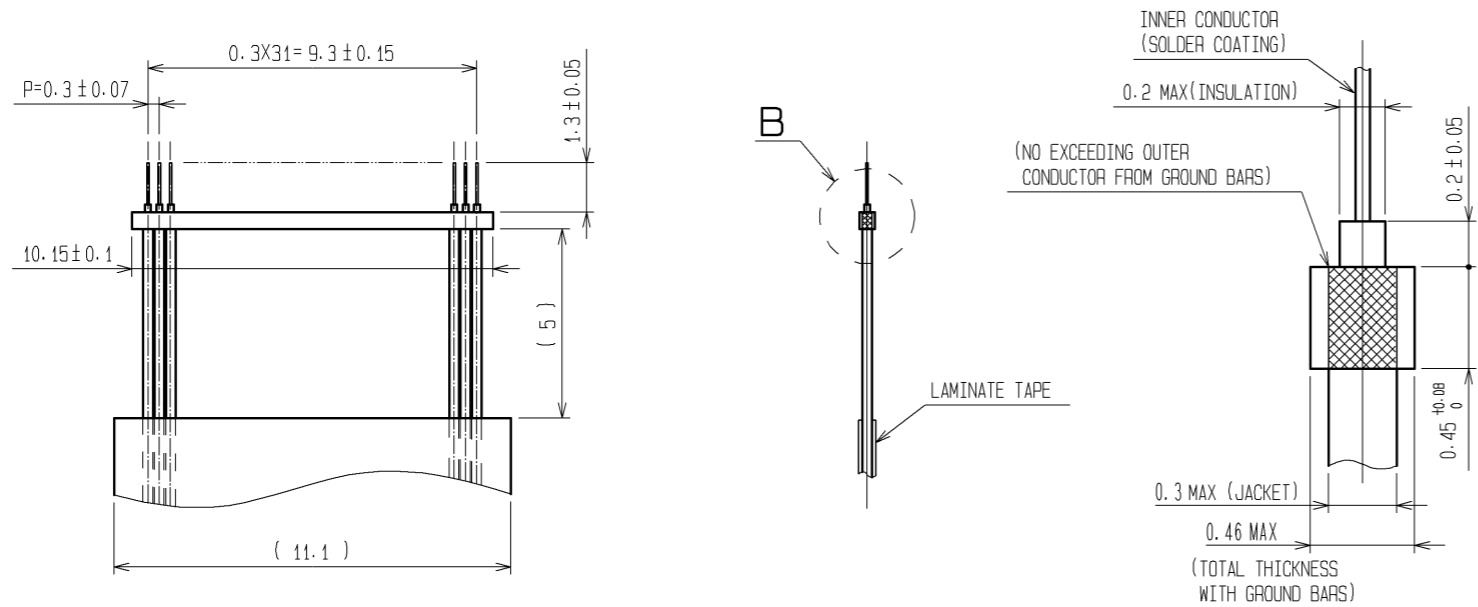


Apr.1.2017 Copyright 2017 HIROSE ELECTRIC CO., LTD. All Rights Reserved.

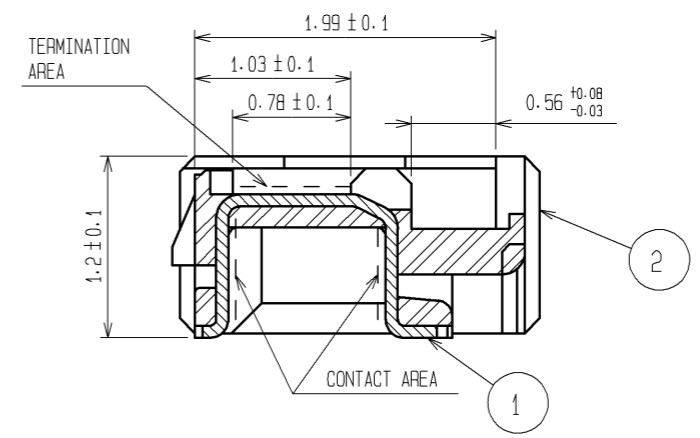


RECOMMENDED CABLE SUBASSEMBLY

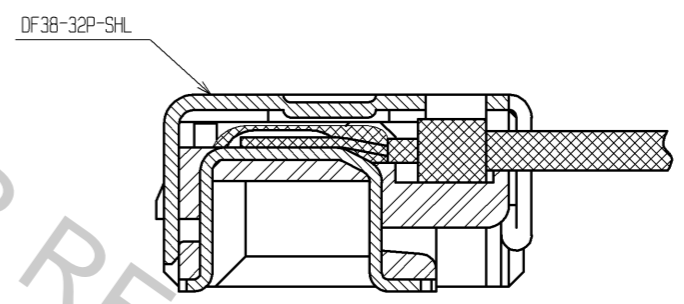
B(FREE)



A-A (20:1)



CABLE TERMINATION FIGURE(20:1)



- NOTES 1. APPLICABLE CABLE: THIN COAXIAL CABLE (AWG#42~AWG#46)
 2. THIS CONNECTOR IS NOT HOT PLUGGABLE. MATE AND UNMATE WHILE THE POWER IS OFF.
 3. THE ASSEMBLY IS COMPLETED BY COMBINING TWO PARTS (CONNECTOR UNIT, AND METAL SHIELDING). REFER TO THE TABLE FOR EACH ITEM No., PART NAME, PART No. AND CODE No.

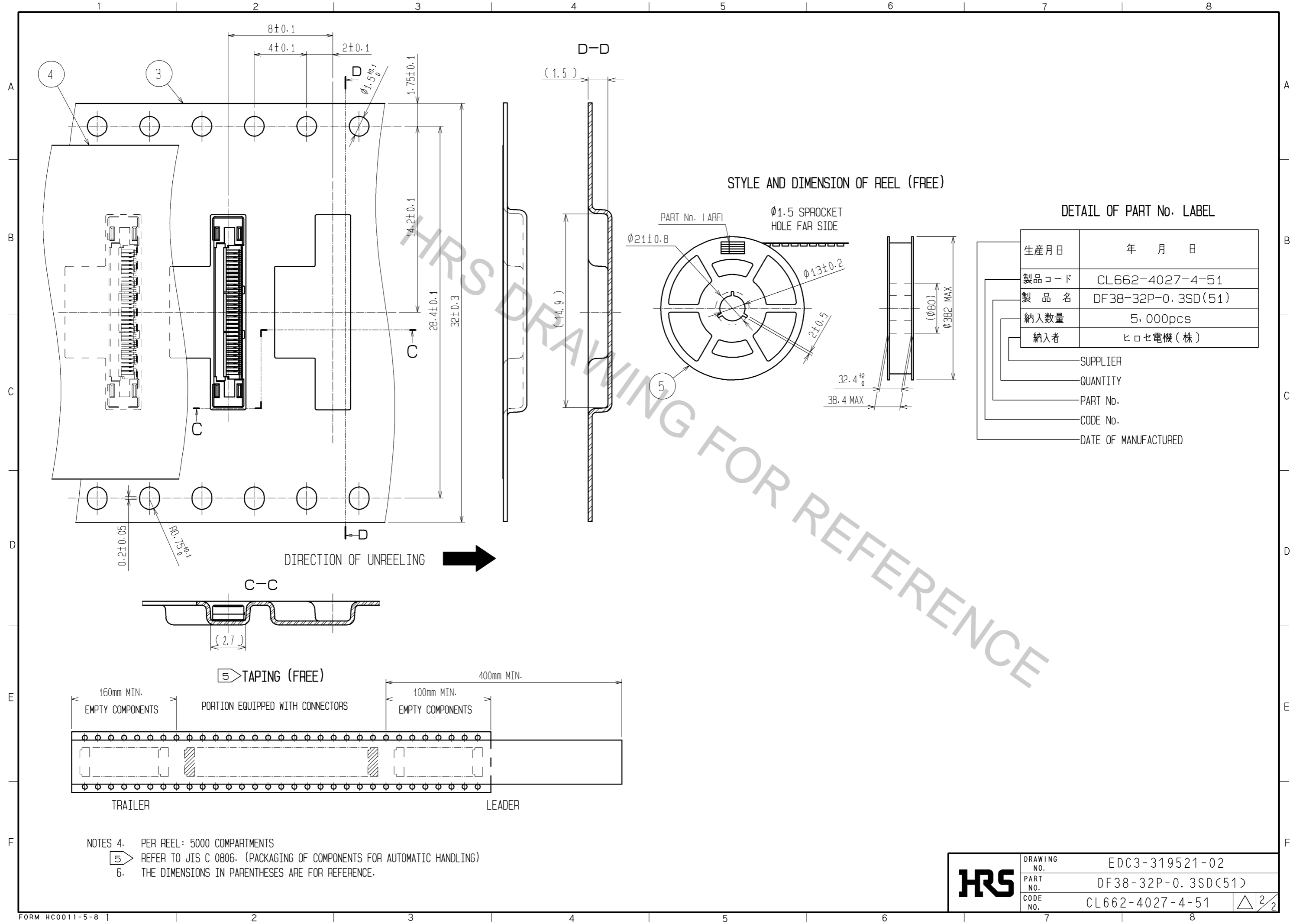
ITEM No.	PART NAME	PART No.	CODE No.
1,2	CONNECTOR UNIT	DF38-32P-0.3SD(51)	CL662-4027-4-51
-	METAL SHIELDING	DF38-32P-SHL	CL662-4029-0

NO.	MATERIAL	FINISH	REMARKS	NO.	MATERIAL	FINISH	REMARKS
1	PHOSPHOR BRONZE	CONTACT AREA : Au PLATING 0.1µm min TERMINATION AREA : Au PLATING 0.1µm min UNDER PLATING : Ni PLATING 1µm min		5	PS		BLACK
				4	POLYESTER		CREAR
				3	PS		CLEAR
				2	LCP		UL94V-0 . BLACK

UNITS	SCALE	COUNT	DESCRIPTION OF REVISIONS	DESIGNED	CHECKED	DATE
mm	FREE	△				

APPROVED : TS. SAKATA	11.09.06	DRAWING NO.	EDC3-319521-02
CHECED : HS. OZAWA	11.09.06	PART NO.	DF38-32P-0.3SD(51)
DESIGNED : TP. MATSUMOTO	11.09.06	CODE NO.	CL662-4027-4-51
DRAWN : TP. MATSUMOTO	11.09.06		

Apr.1.2017 Copyright 2017 HIROSE ELECTRIC CO., LTD. All Rights Reserved.



HRS	DRAWING NO.	EDC3-319521-02
	PART NO.	DF38-32P-0.3SD(51)
	CODE NO.	CL662-4027-4-51
		△ 2/2