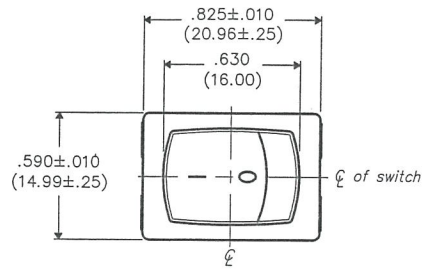


THIS INFORMATION IS CONFIDENTIAL AND PROPRIETARY TO CW INDUSTRIES INCORPORATED AND ITS AFFILIATES. IT MAY NOT BE DISCLOSED TO ANYONE OTHER THAN CW INDUSTRIES PERSONNEL, WITHOUT WRITTEN AUTHORIZATION FROM CW INDUSTRIES INCORPORATED, SOUTHAMPTON, PENNSYLVANIA USA.

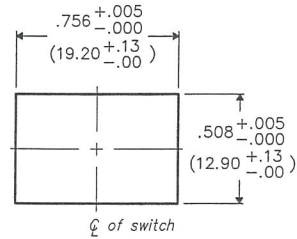
DIMENSIONS IN INCHES (MILLIMETERS)  
DO NOT SCALE DRAWING .....

Dwg. No.  
**GRS-4012-0066**

F  
D  
C  
B  
A



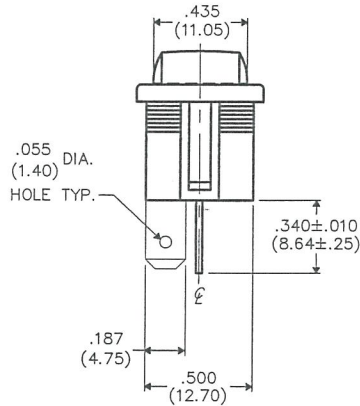
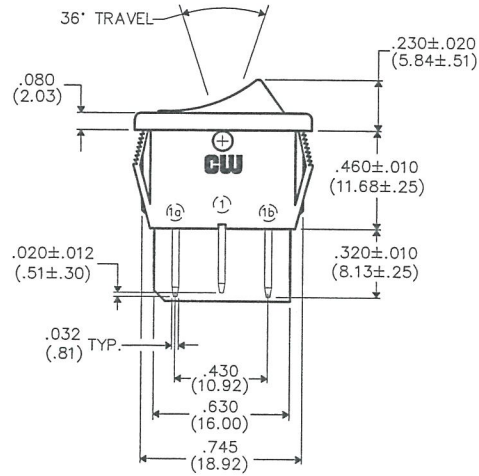
**PANEL PIERCING**



**BUTTON COLOR - Red**  
**HOUSING COLOR - Black**  
**LEGEND COLOR - White**

**SWITCH RATINGS:**

**UL & CSA**  
13A. 125VAC 10A. 250VAC  
1/2 H.P. 125-250 VAC 5A. 14V (T)



1 2 3 4 5 6 7 8 9 10

B-FORMAT 2002	<b>REVISIONS</b>	0	<p>RELEASED: DGW 7-03-13 JUL 19 2013</p>	<p><b>REVISIONS</b></p>	<p><b>PDF FILE MADE</b></p>	<p><b>INDUSTRIES</b> Southampton, Pa. 18966</p>	<p><b>TOLERANCES UNLESS OTHERWISE SPECIFIED</b></p> <table border="1"> <tr> <td>2 Place Decimal ±.010</td> <td>METRIC</td> </tr> <tr> <td>3 Place Decimal ±.005</td> <td>1 Place Dec. ±.25mm</td> </tr> <tr> <td>Angles ..... ±1'</td> <td>2 Place Dec. ±.13mm</td> </tr> </table>	2 Place Decimal ±.010	METRIC	3 Place Decimal ±.005	1 Place Dec. ±.25mm	Angles ..... ±1'	2 Place Dec. ±.13mm	<p>Title: <b>ROCKER SWIDGET ASSEMBLY (POP-IN) S.P.- D.T.</b></p>
		2 Place Decimal ±.010						METRIC						
		3 Place Decimal ±.005						1 Place Dec. ±.25mm						
		Angles ..... ±1'						2 Place Dec. ±.13mm						
	<p>Made for: CW IND.</p>	<p>Division: <b>SWITCH</b></p>												
	<p>Drawn by: DGW 7-03-13</p>	<p>Dwg. No. <b>GRS-4012-0066</b></p>												
	<p>Checked by: <i>G. Gold 7-9-13</i></p>	<p>Approval: <i>G. Gold 7-9-13</i></p>												

MASTER