

THIS DRAWING IS UNPUBLISHED. RELEASED FOR PUBLICATION

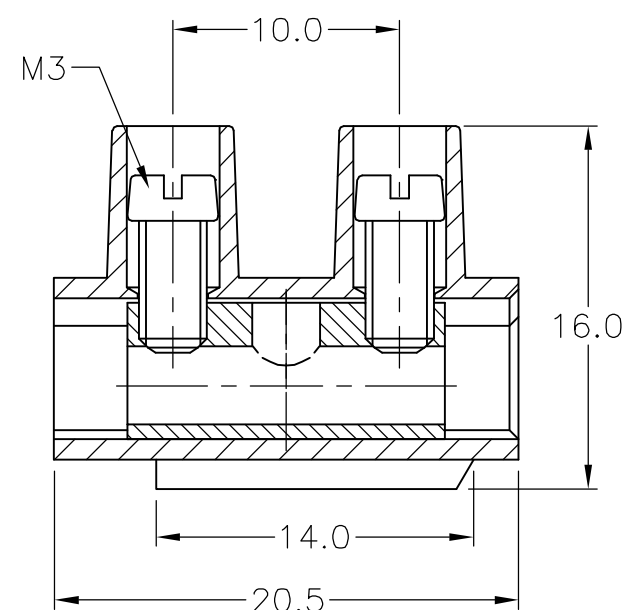
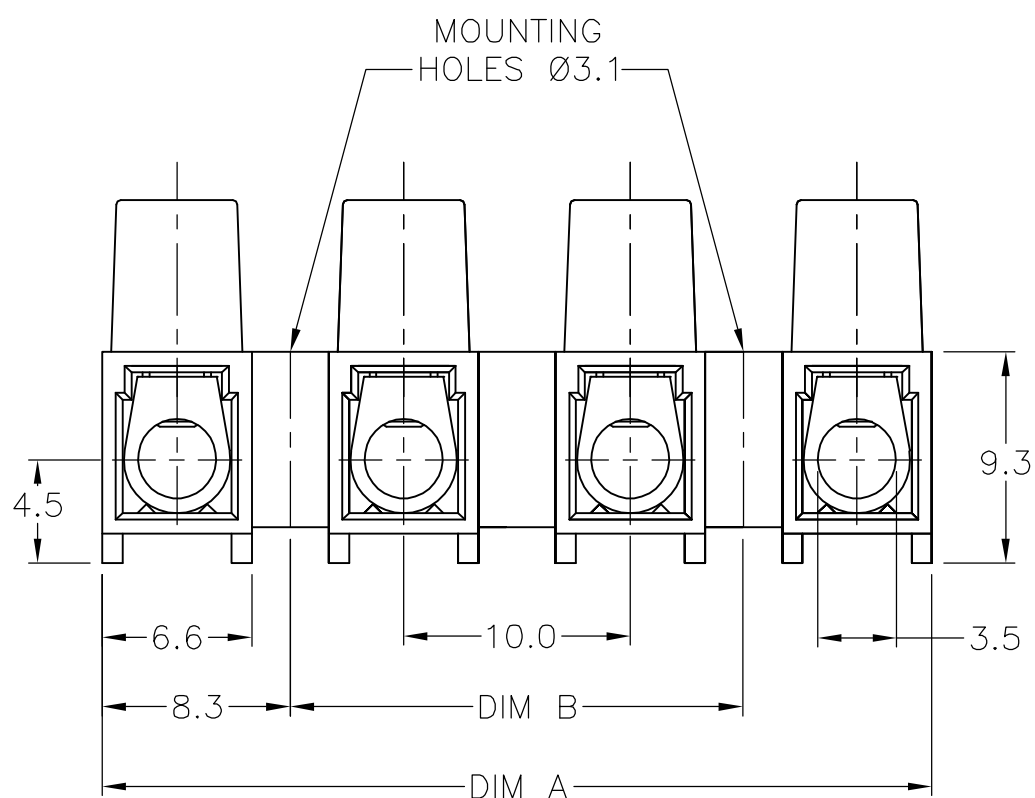
© COPYRIGHT BY TYCO ELECTRONICS CORPORATION. ALL RIGHTS RESERVED.

LOC	DIST	REVISIONS					
FT	0	P	LTR	DESCRIPTION	DATE	DWN	APVD
			A	-	8/4/06	SS	CR

MATERIAL:
 HOUSING: POLYAMIDE 6, UL94V-0.
 COLOR: BROWN
 CONTACT: BRASS, TIN PLATED.
 SCREW: M3, STEEL, ZINC PLATED W/ NON-HEXAVALENT CHROMATE (CHROME III).

ELECTRICAL:
 CURRENT RATING: 30A.
 OPERATING VOLTAGE: 250V.
 WIRE RANGE: 10-22 AWG.
 DIELECTRIC WITHSTAND: 3500V.

ENVIRONMENT:
 CONTINUOUS WORKING TEMP.: -35°C TO +100°C



40	56.6	6	TSB500 0631HT	1776878-6
DIM B	DIM A	NO. OF POS.	CATALOG NUMBER	TYCO PART NUMBER

THIS DRAWING IS A CONTROLLED DOCUMENT.		DWN	S SCHLEGEL	8/4/06	Tyco Electronics Corporation Harrisburg, Pa 17105-3608				
DIMENSIONS: mm		CHK	C RICHARD	8/4/06					
TOLERANCES UNLESS OTHERWISE SPECIFIED:		APVD	C RICHARD	8/4/06	NAME				
0 PLC ± -		PRODUCT SPEC		EUROPA TERMINAL BLOCK, 10.0mm PITCH, MOUNTING HOLES 3.1 DIA, HIGH TEMP					
1 PLC ± 0.3		APPLICATION SPEC		-					
2 PLC ± 0.25		WEIGHT		-		SIZE	CAGE CODE	DRAWING NO	RESTRICTED TO
3 PLC ± -		MATERIAL		-		A3	00779	C-1776878	-
4 PLC ± -		FINISH		-		CUSTOMER DRAWING		SCALE	SHEET
ANGLES ± 2'								NTS	1 OF 1
								REV	A