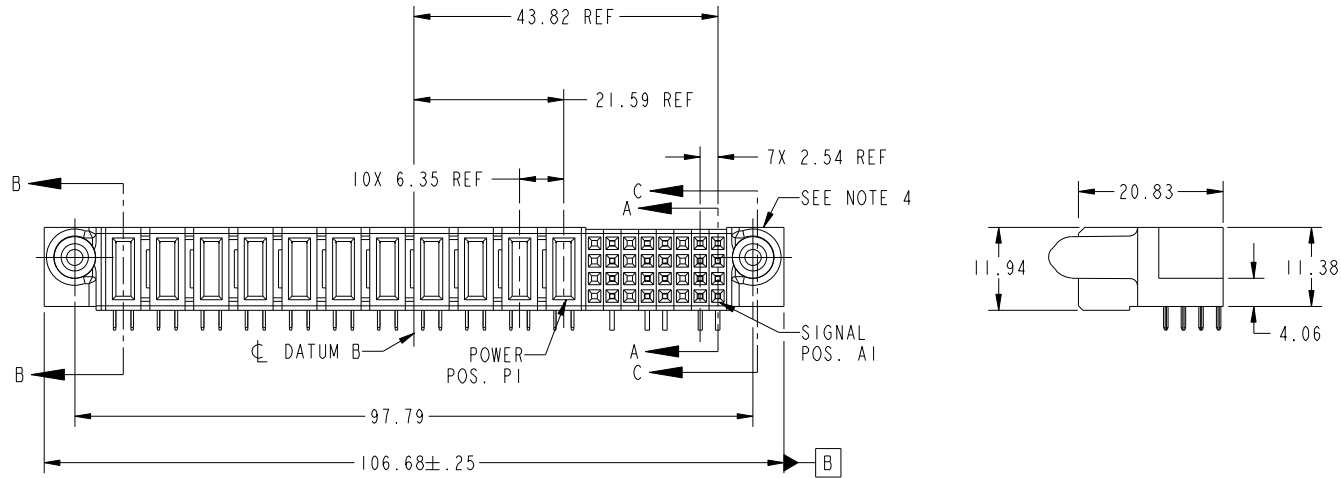


Tous droits strictement reserves. Reproduction ou communication a des tiers interdite sous quelque forme que ce soit sans autorisation écrite du propriétaire. Propriete de c FCI. Droits de reproduction FCI.



All rights strictly reserved. Reproduction or issue to third parties in any form whatever is not permitted without written authority from the proprietor. Property of FCI. Copyright FCI.

PRODUCT NO.	ROWS	POWER										SIGNAL													
		E2	P11	P10	P9	P8	P7	P6	P5	P4	P3	P2	P1	8	7	6	5	4	3	2	1	E1			
51771-011-- NOTE 3	D C B A		PA	PC	PC	PC	PC	PC	PC	PA	PA	PA	PA	X	H	X	H	X	H	X	H	X	H		
		X	G	X	G	X	G	X	G	X	G	X	G	X	F	X	F	X	F	X	F	X	F	X	F
		X	E	X	E	X	E	X	E	X	E	X	E	X	E	X	E	X	E	X	E	X	E	X	E



CODE	DIM "M" MATING LENGTH	CONTACT TYPE
PA	[1.07]	POWER
H	[N/A]	SIGNAL
G	[N/A]	SIGNAL
F	[N/A]	SIGNAL
E	[N/A]	SIGNAL
PC	[2.34]	POWER
X	OMITTED	OMITTED

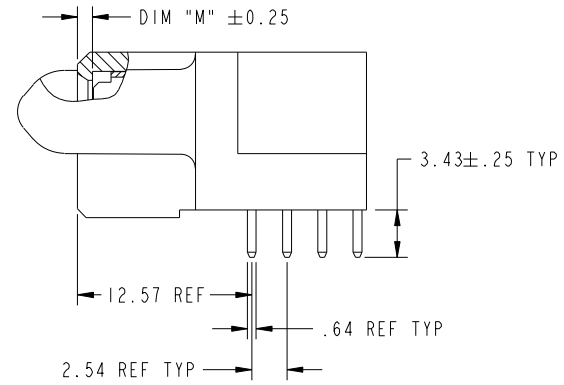
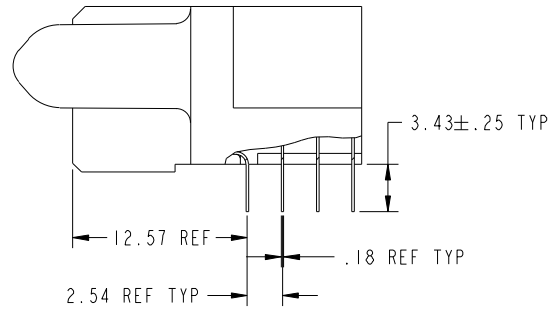
mat'l code				SEE NOTE 2		tolerances unless otherwise specified		CUSTOMER		FCI	
ltr	ecn no.	dr	date	linear	0.X ± 0.3	projection		COPY		www.fciconnect.com	
A	DG06-0412	JMG	09/17/06	angles	0.XX ± 0.13			title		32S + 11P R/A STB RECEPTACLE	
				dr	0.XXX ± 0.051	MIM		product family		PwrBlade	code
				enr	0° ± 2°	scale		size	dwg no	213	sheet
				chr	JM GUO 09/17/06	1:1		A	51771-011	1 of 4	
				appd	RYAN YUAN 09/17/06						
					BEER FU 09/17/06						
					JOSEPH HSIA 09/17/06						
sheet index	revision sheet	A 1	A 2	A 3	A 4			cage code		22526	4

Tous droits strictement reserves. Reproduction ou communication a des tiers interdite sous quelque forme que ce soit sans autorisation écrite du propriétaire. Propriete de c FCI. Droits de reproduction FCI.

All rights strictly reserved. Reproduction or issue to third parties in any form whatever is not permitted without written authority from the proprietor. Property of FCI. Copyright FCI.

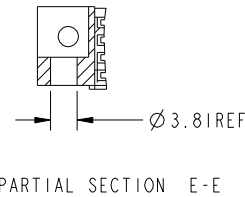
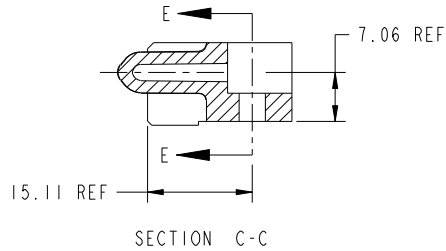


PRODUCT NUMBER  
51771-011--  
NOTE 3



BROKEN-OUT SECTION A-A  
SCALE 2:1

BROKEN-OUT SECTION B-B  
SCALE 2:1



mat'l code		SEE NOTE 2		tolerances unless otherwise specified		CUSTOMER		FCI		www.fciconnect.com	
ltr	ecn no.	dr	date	linear	0.X ± 0.3	COPY				title	
A					0.XX ± 0.13	MIM				32S + 11P R/A STB RECEPTACLE	
				angles	0.XXX ± 0.051	1:1				product family	
				dr	JM GUO 09/17/06	scale		PwrBlade		213	
				enr	RYAN YUAN 09/17/06	A		size		sheet	
				chr	BEER FU 09/17/06	A		dwg no		2 of 4	
				appd	JOSEPH HSIA 09/17/06	A		51771-011			
sheet index		revision sheet									

cage code 22526

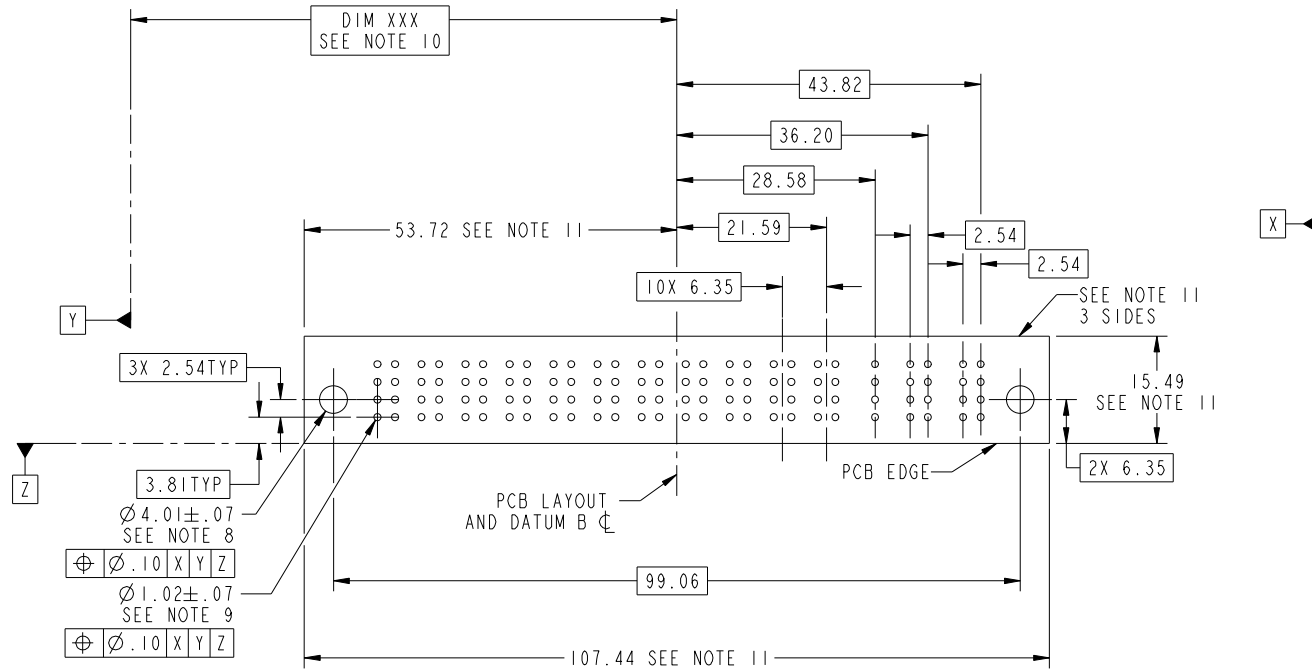
Pro/E

Tous droits strictement reserves. Reproduction ou communication a des tiers interdite sous quelque forme que ce soit sans autorisation écrite du propriétaire. Propriete de c FCI. Droits de reproduction FCI.

All rights strictly reserved. Reproduction or issue to third parties in any form whatever is not permitted without written authority from the proprietor. Property of FCI. Copyright FCI.



PRODUCT NUMBER  
51771-011--  
NOTE 3



mat'l code		SEE NOTE		tolerances unless otherwise specified		CUSTOMER		FCI	
ltr	ecr no.	dr	date	linear	0.X ±0.3	COPY		www.fciconnect.com	
A					0.XX ±0.13	projection		title	
				angles	0.XXX ±0.051			32S + 11P R/A STB RECEPTACLE	
				dr	JM GUO 09/17/06	MIM		product family PwrBlade code	
				enrg	RYAN YUAN 09/17/06			size dwg no 213	
				chr	BEER FU 09/17/06	scale 1:1		sheet 3 of 4	
				appd	JOSEPH HSIA 09/17/06			51771-011	
sheet index	revision sheet								

cage code 22526

Pro/E

Tous droits strictement reserves. Reproduction ou communication a des tiers interdite sous quelque forme que ce soit sans autorisation écrite du propriétaire. Propriete de c FCI. Droits de reproduction FCI.

All rights strictly reserved. Reproduction or issue to third parties in any form whatever is not permitted without written authority from the proprietor. Property of FCI. Copyright FCI.



PRODUCT NUMBER  
51771-011--  
NOTE 3

NOTES:

1. DIMENSIONS AND TOLERANCES ARE IN ACCORDANCE WITH ASME Y14.5M, 1994 UNLESS OTHERWISE SPECIFIED.

CONNECTOR NOTES:

- 2. HOUSING MATERIAL: UL 94 V-0 GLASS FILLED  
HIGH-TEMP THERMOPLASTIC  
POWER CONTACT MATERIAL: COPPER ALLOY  
SIGNAL PIN MATERIAL: COPPER ALLOY
- 3. PLATING:  
51771-011,51771-011LF PLATING SPEC. WAS SHOWN IN THE PRINT OF 10064183.
- 4. MANUFACTURER'S NAME, P/N, AND DATE CODE TO APPEAR ON THIS SURFACE.
- 5. PRODUCT SPECIFICATION GS-12-149.  
APPLICATION SPECIFICATION BUS-20-067.
- 6. PACKAGED IN TRAYS.

PCB NOTES:

- 7. ALL HOLE DIAMETERS ARE FINISHED HOLE SIZE.
- 8. MOUNTING HOLES, WHERE APPLICABLE, ARE UNPLATED.
- 9.  $\varnothing 1.151 \pm 0.025$  DRILLED HOLES PLATED WITH  
0.008 MIN SnPb OR Sn OVER 0.03  
TO 0.08 Cu PLATING TO ACHIEVE  
 $\varnothing 1.02 \pm .07$  HOLE.
- 10. "DIM XXX" TO BE DETERMINED BY THE CUSTOMER.
- 11. CONNECTOR KEEP-OUT ZONE.

mat'l code		SEE NOTE 2		tolerances unless otherwise specified		CUSTOMER		www.fciconnect.com	
ltr	ecr no.	dr	date	linear	0.X ± 0.3	COPY		title	
A					0.XX ± 0.13	projection		32S + 11P R/A STB RECEPTACLE	
				angles	0.XXX ± 0.051			product family PwrBlade code	
				dr	0° ± 2°			size 213	
				enr	JM GUO 09/17/06	scale		dwg no 51771-011 sheet 213	
				chr	RYAN YUAN 09/17/06	1:1		4 of 4	
				appd	BEER FU 09/17/06				
					JOSEPH HSIA 09/17/06				
sheet index	revision sheet								

cage code 22526

Pro/E