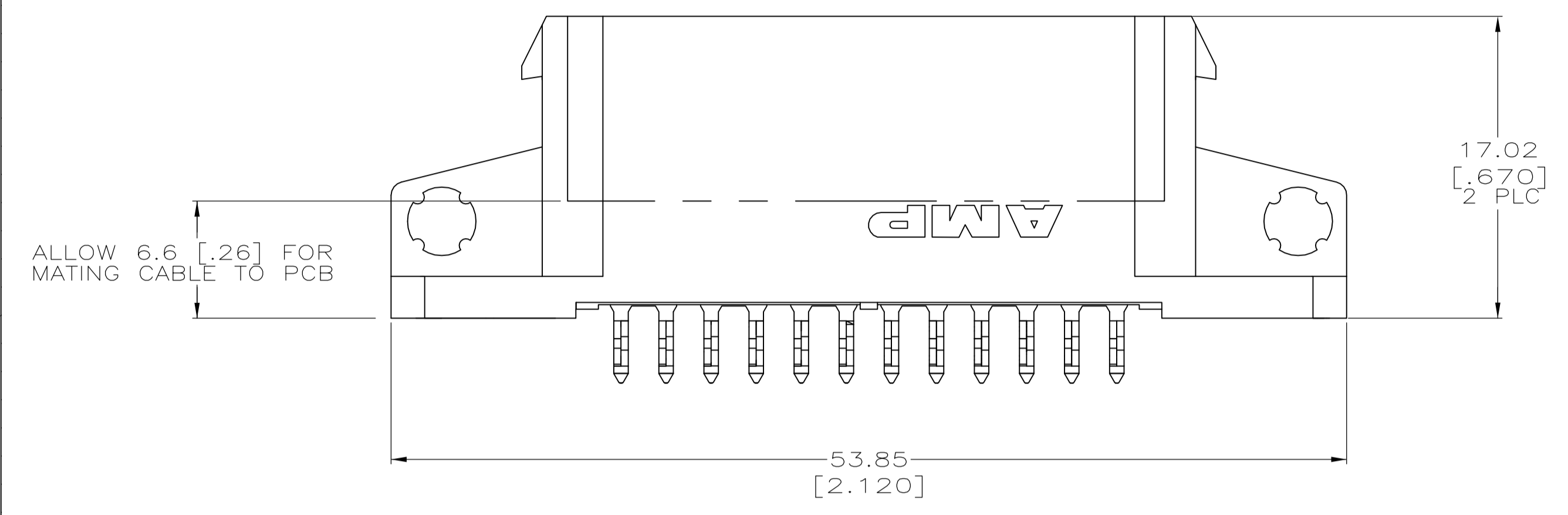
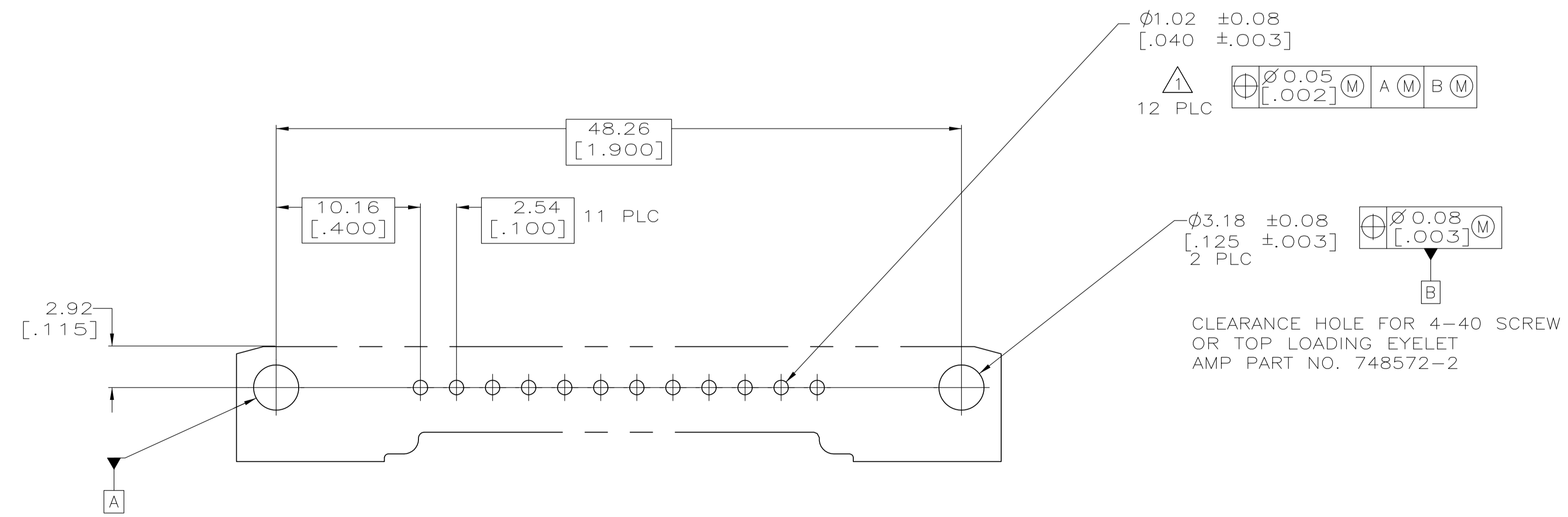
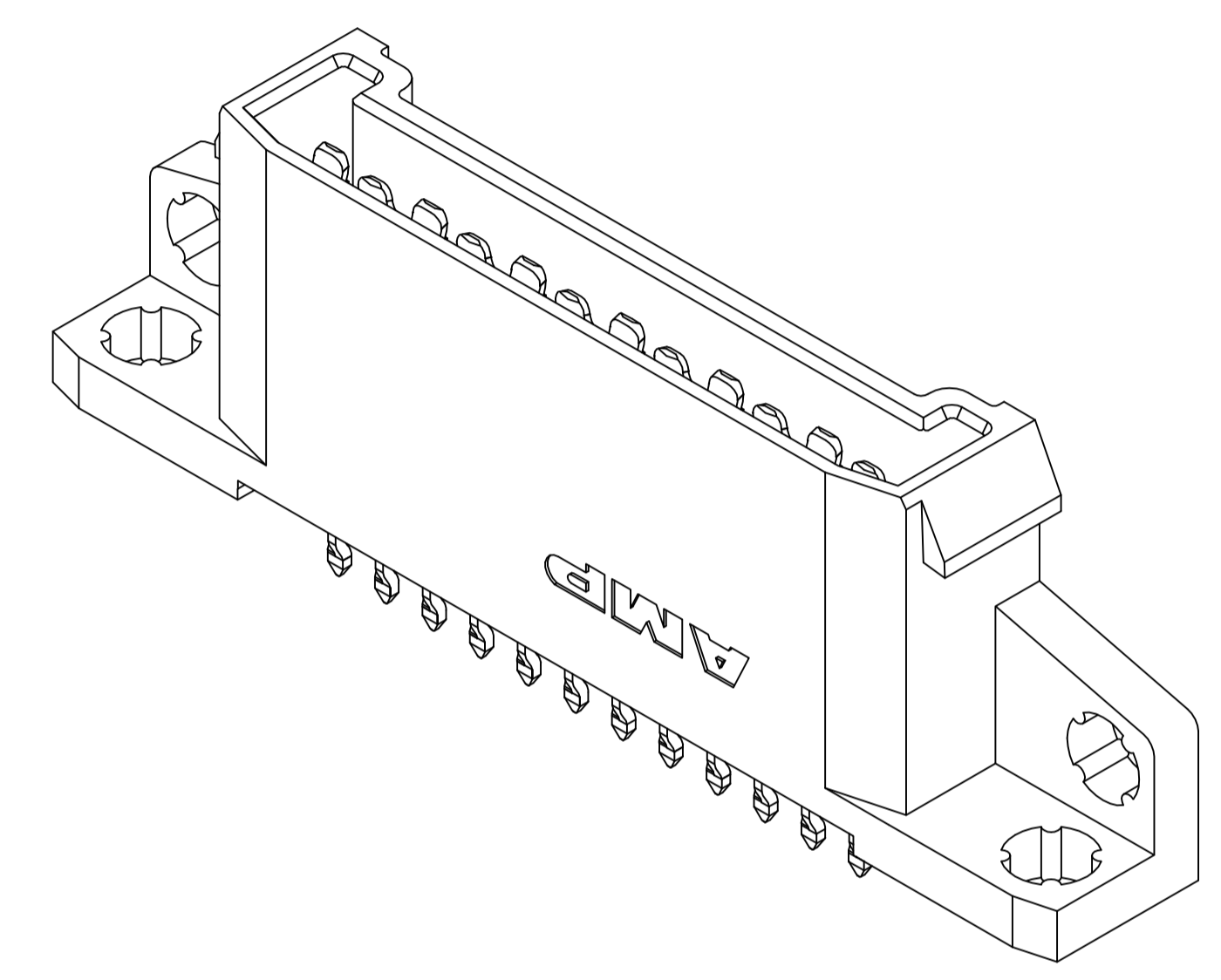
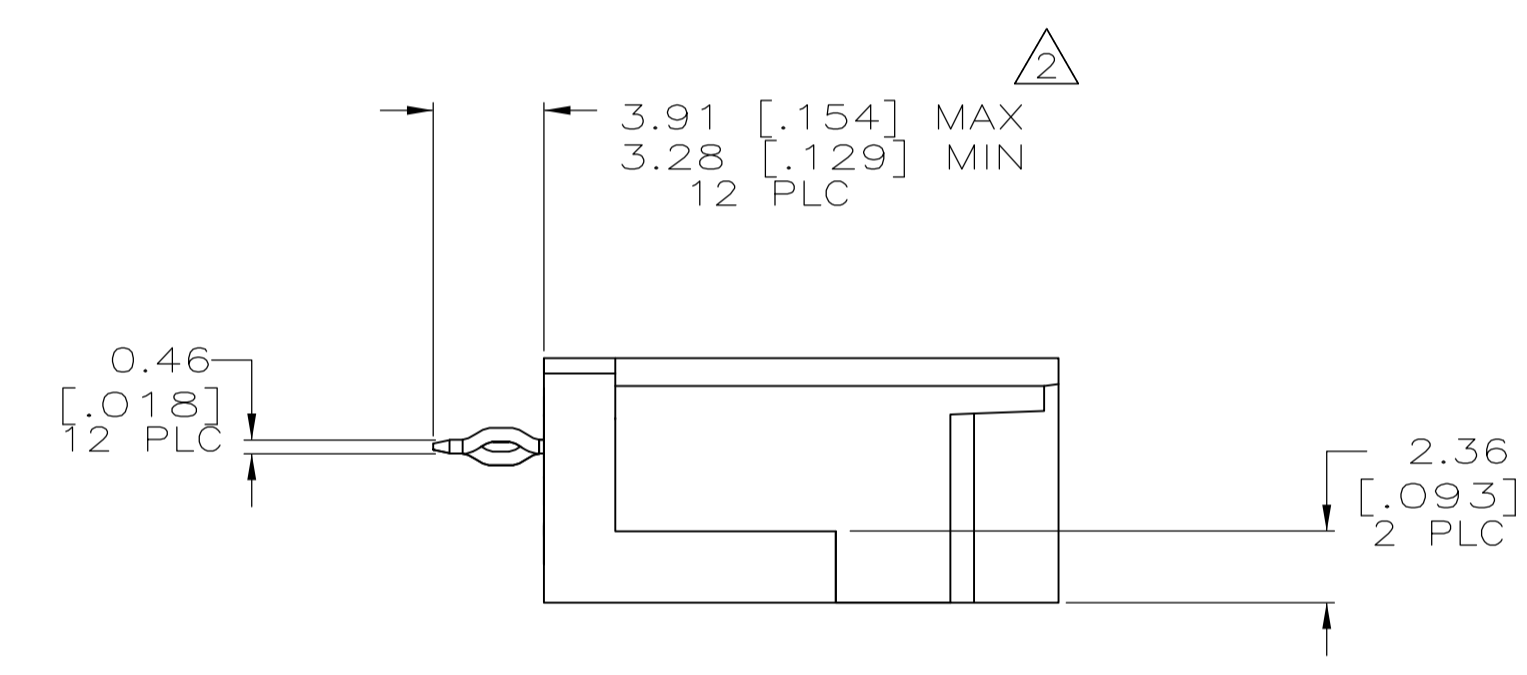
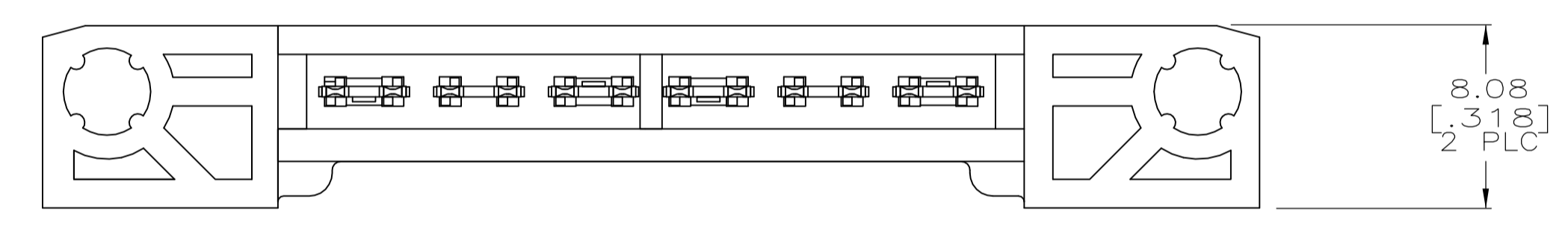


*ACTION PIN AND AMPPOWER are registered trademarks of AMP Incorporated.



- 1 HOLE DIAMETER AFTER PLATING.
- 2 FOR 2.36 [.093] AND THICKER PCB'S.
- 3 HOUSING MATERIAL: POLYESTER
CONTACT MATERIAL: COPPER ALLOY
- 4 CONTACT FINISH: SILVER ON MATING END,
TIN ON SOLDER TAILS,
NICKEL ALL OVER.



CLEARANCE HOLE FOR 4-40 SCREW
OR TOP LOADING EYELET
AMP PART NO. 748572-2

RECOMMENDED PC BOARD LAYOUT
2.54 [.100] CENTERLINES

5765271-1
PART NUMBER

| | | | |
|-------------------------------------------------------------------------------------------|--------|-------------------------------|------------------------------|
| THIS DRAWING IS A CONTROLLED DOCUMENT. DIMENSIONING AND TOLERANCING PER ASME Y14.5M-2009. | | DIN C. VALENTINE 05NOV2012 | TE Connectivity |
| DIMENSIONS: mm [INCHES] | | CHK D. ORRIS 05NOV2012 | |
| TOLERANCES UNLESS OTHERWISE SPECIFIED: | | APVD D. ORRIS 05NOV2012 | NAME |
| 0 PLC ± - | | PRODUCT SPEC | AMPPOWER Wave Crimp System |
| 1 PLC ± - | | APPLICATION SPEC | ACTION PIN HDR ASSY, VERT |
| 2 PLC ± 0.25 [.01] | | SIZE | 108-1410 |
| 3 PLC ± 0.13 [.005] | | SCALE | 2.54 CENTERLINES |
| 4 PLC ± - | | RESTRICTED TO | |
| ANGLES ± - | | WEIGHT | 114-49005 |
| MATERIAL | FINISH | CUSTOMER DRAWING | SCALE 4:1 SHEET 1 OF 1 REV A |
| | | APPROVED | 00779 5765271 |