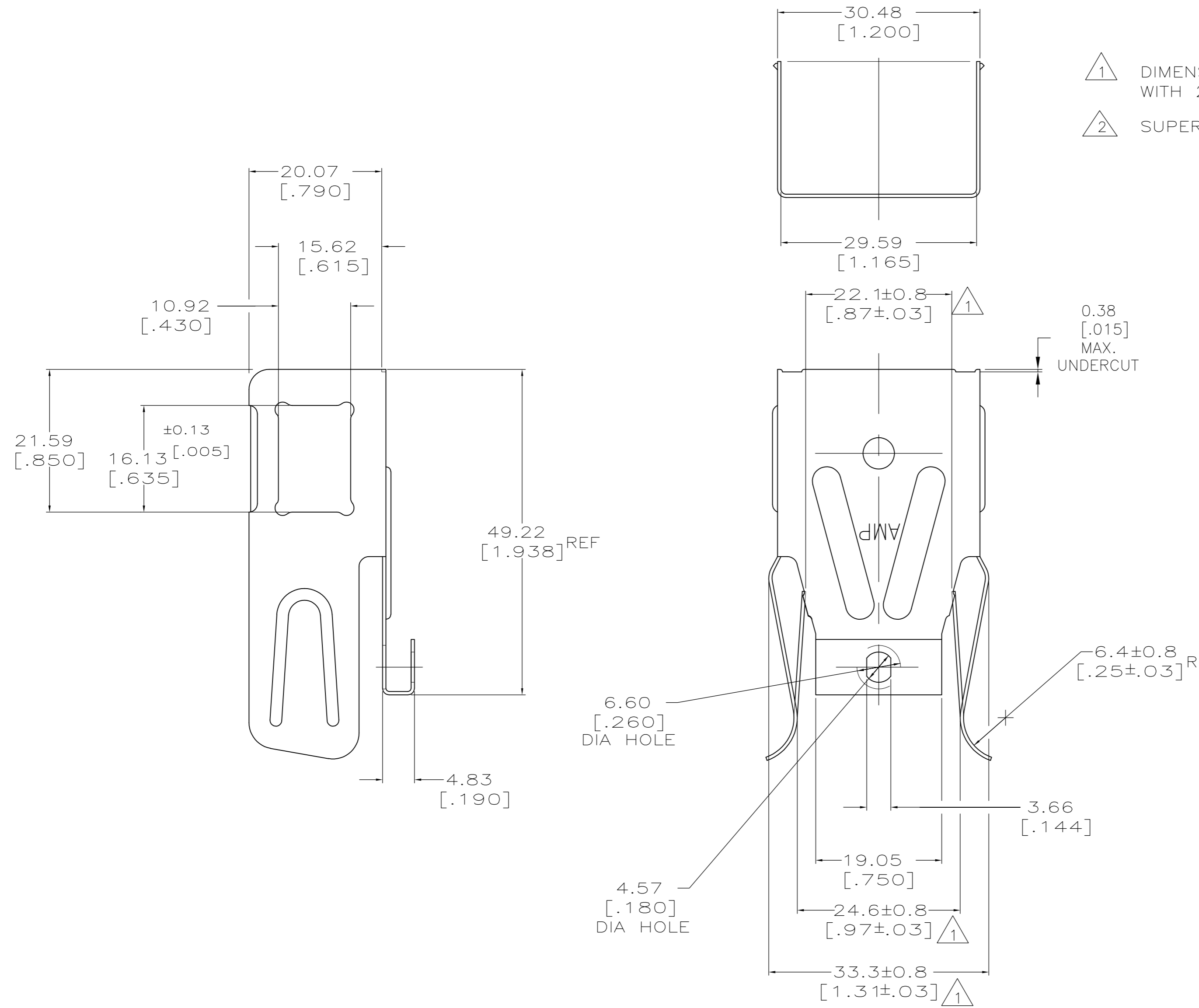


THIS DRAWING IS UNPUBLISHED. RELEASED FOR PUBLICATION  
 © COPYRIGHT BY TYCO ELECTRONICS CORPORATION. ALL RIGHTS RESERVED.

LOC	DIST	REVISIONS					
		P	LTR	DESCRIPTION	DATE	DWN	APVD
AF	50						
		C1		REVISED PER ECR-08-012911	22MAY08	HMR	CJ
		C2		REVISED PER ECR-15-017388	08DEC15	JJ	TD



1 DIMENSIONS TO BE CHECKED WHEN SIDES ARE PARALLEL WITH 29.59 [1.165] DIMENSION.  
 2 SUPERSEDED BY 1217841-1.

OBsolete 63673-1  
 PART NO

THIS DRAWING IS A CONTROLLED DOCUMENT.		DWN	P FORTNEY	9/1/92	Tyco Electronics Corporation Harrisburg, PA 17105-3608		
DIMENSIONS: mm [INCHES]		CHK	JR RUTH	9/1/92			
TOLERANCES UNLESS OTHERWISE SPECIFIED:		APVD	D DECKER	9/1/92	NAME		
0 PLC	± -	PRODUCT SPEC		CLIP, HEAVY DUTY BURNER CONNECTOR			
1 PLC	± -	APPLICATION SPEC		SIZE	CAGE CODE	DRAWING NO	RESTRICTED TO
2 PLC	± 0.25 [.010]	MATERIAL		A2	00779	C=63673	-
3 PLC	± -	FINISH		WEIGHT		SCALE 2:1 SHEET 1 OF 1 REV C2	
4 PLC	± -	1/4 HARD STAINLESS STEEL		CUSTOMER DRAWING			
ANGLES	± -						