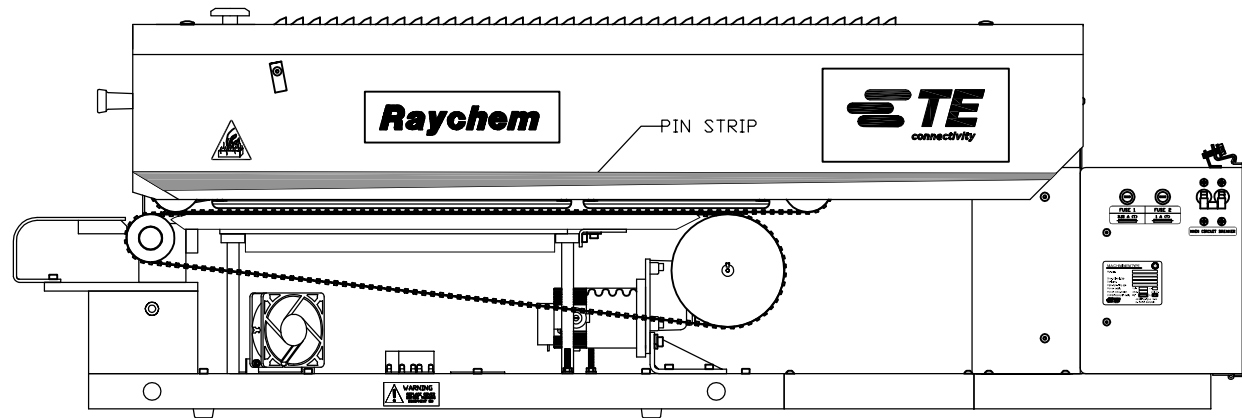
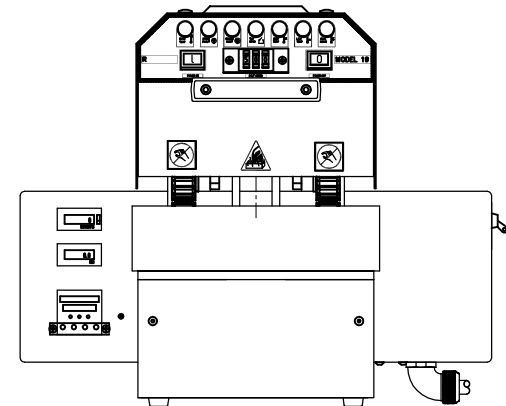
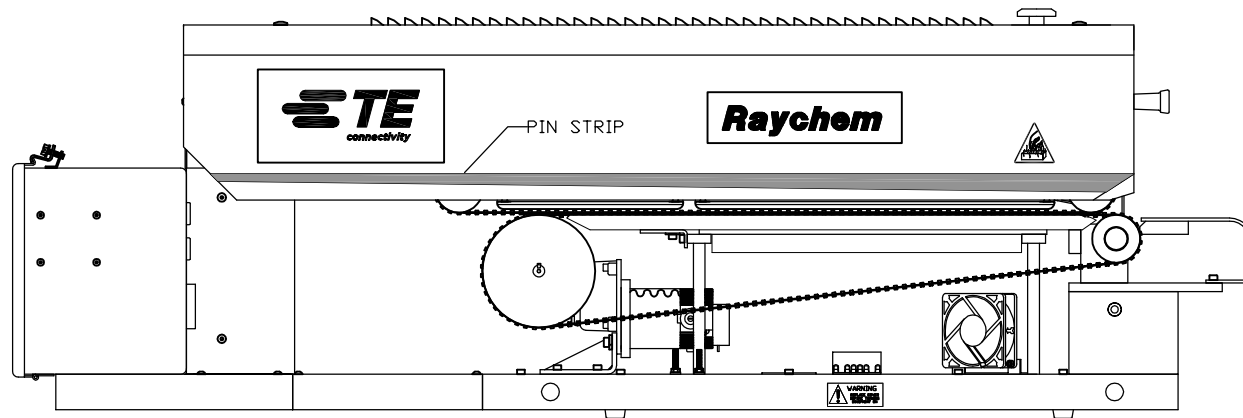


THIS DRAWING IS UNPUBLISHED.		RELEASED FOR PUBLICATION	
© COPYRIGHT - BY TYCO ELECTRONICS CORPORATION. ALL INTERNATIONAL RIGHTS RESERVED.			
PART NUMBER	REV	FIRST USED	
1-1200141-3	B	-	

REVISIONS				
P	LTR	DESCRIPTION	DATE	BY
B		ECR-15-014656	11JAN2016	MY RK



NOTE:

- REF DRAWING 14-81262-1 FOR SPARE PARTS.

THIS DRAWING IS A CONTROLLED DOCUMENT.		DWN M. YOUNGER	06FEB2014		TE Connectivity
		CHK R. KEENEY	26FEB2014		
DIMENSIONS: mm		TOLERANCES UNLESS OTHERWISE SPECIFIED:		NAME MODEL 19 BELT HEATER	
		0 PLC	± .-	HEAT-SHRINKABLE TUBING CONVEYOR HEATER	
		1 PLC	± .-	SS VERSION	
		2 PLC	± .-	208-240 VOLTS	
		3 PLC	± .-		
MATERIAL		4 PLC	± .-	RESTRICTED TO	
FINISH		ANGLES	± .-	SIZE A2	
		WEIGHT 86 kg		CAGE CODE 00779	
		CUSTOMER DRAWING		DRAWING NO C=1-1200141-3	
		SCALE		SHEET 1 OF 1	
				REV B	