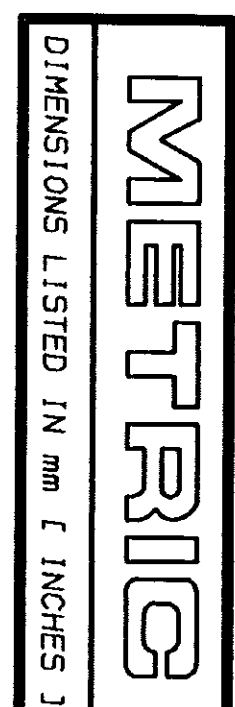
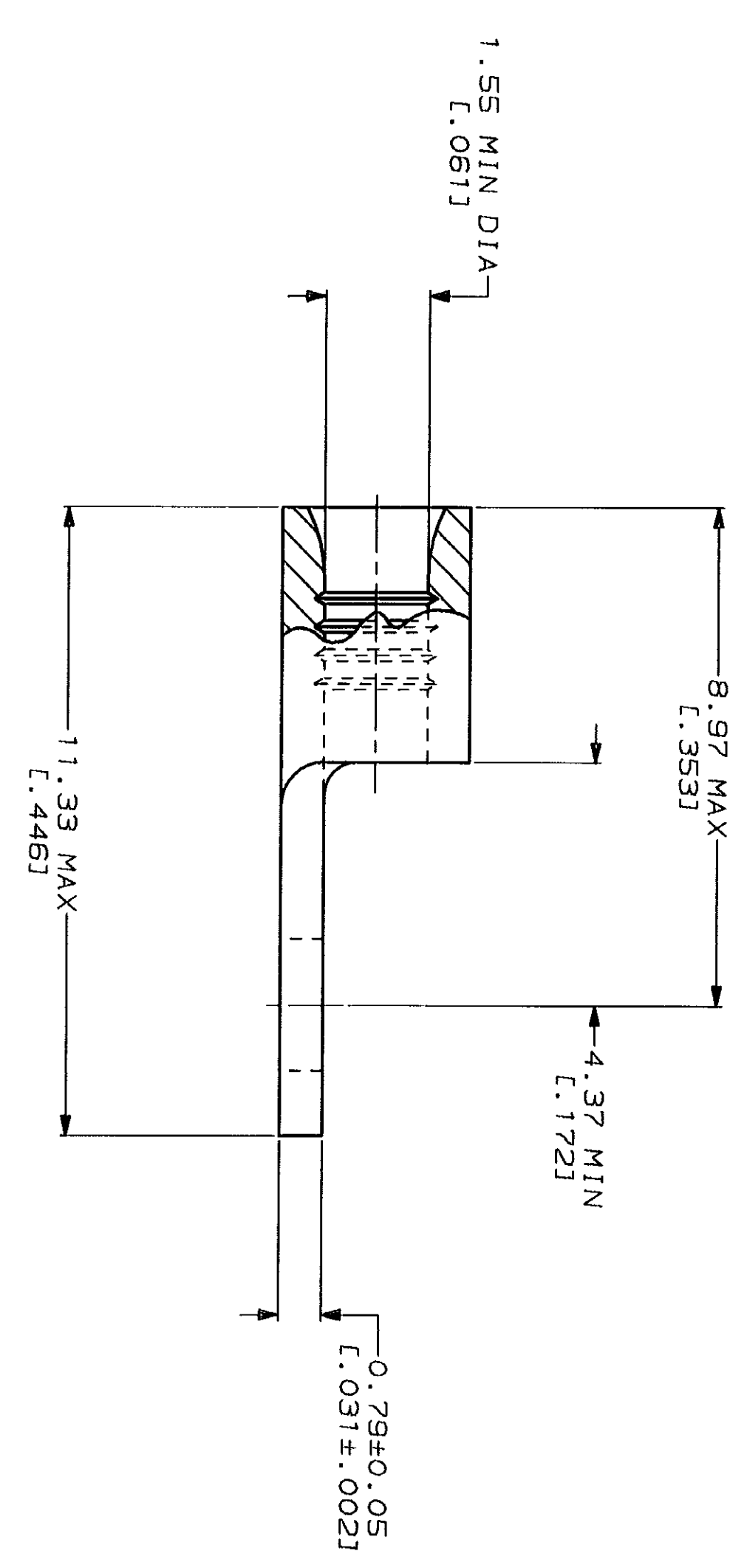
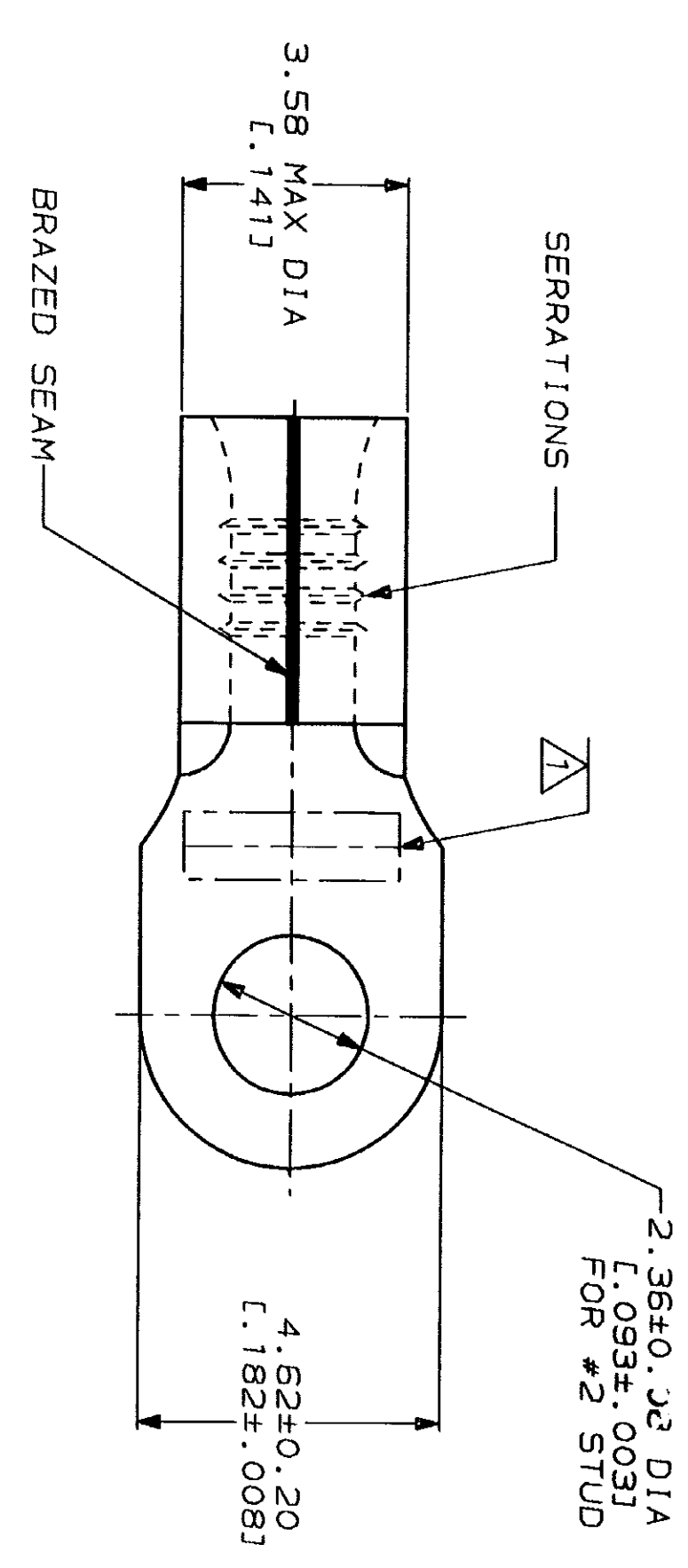


LOC	DIST	REV	DESCRIPTION	DATE	APPD
G	14	P	REV 8 REDRAWN PER 0720-0040-93	2-2-93	YB DAP



AMP WIRE RANGE	IL E13288 Listed
22-16 AWG SOLID OR STRANDED	22-16 AWG SOLID OR STRANDED
LR7189 Certified	MILITARY P/N AND CLASS
22-16 AWG SOLID OR STRANDED	NOT APPLICABLE

△ STAMP AMP 22-18* APPROX AS SHOWN
 22-16 TERMINALS ARE STAMPED 22-18 IN
 ACCORDANCE WITH MILITARY SPECIFICATION
 MIL-T-7928, COMMERCIAL WIRE RANGE IS 22-16



**AMP INCORPORATED
 CUSTOMER SERVICE SYSTEMS**

FOR ADDITIONAL PRODUCT INFORMATION OR COPIES OF DRAWINGS AND TECHNICAL DOCUMENTS	PRODUCT INFORMATION CENTER 1-800-522-6752
FOR APPLICATION TOOLING INFORMATION	TOOLING ASSISTANCE CENTER 1-800-722-1111
FOR ORDER ENTRY	1-800-526-5142

MAX RECOMMENDED OPERATING TEMPERATURE: 170°C MAX
 VOLTAGE RATING: NOT APPLICABLE
 WIRE CROSS SECTIONAL AREA RANGE: 0.26-1.65mm² [509-3,260] CIR MILS
 SOLID OR STRANDED

DO NOT SCALE PRINT. UNLESS SPECIFIED DIMENSIONS IN mm [INCHES] TOLERANCES ON: 2 PLC DEC ± - - 3 PLC DEC ± - - ANGLES

DR 2-2-93 TA BRINKMAN
CHK 2-2-93 DA PATTERSON
APPD 2-2-93 DE MILLER
APPD 2-2-93 JL NECKLEY

AMP
 AMP Incorporated
 Harrisburg, PA 17105-3608

TERMINAL, RING
 TONGUE, SOLI STRAND™

FINISH TIN PLATE
 0.00254 [L.000100] MIN
 THK PER MIL-T-10727

DR 2-2-93
TA BRINKMAN
 CHK 2-2-93
DA PATTERSON
 APPD 2-2-93
DE MILLER
 APPD 2-2-93
JL NECKLEY

SIZE CAGE CODE DRAWING NO
 00779 322927
 SCALE 10:1 SHEET 1 OF 1