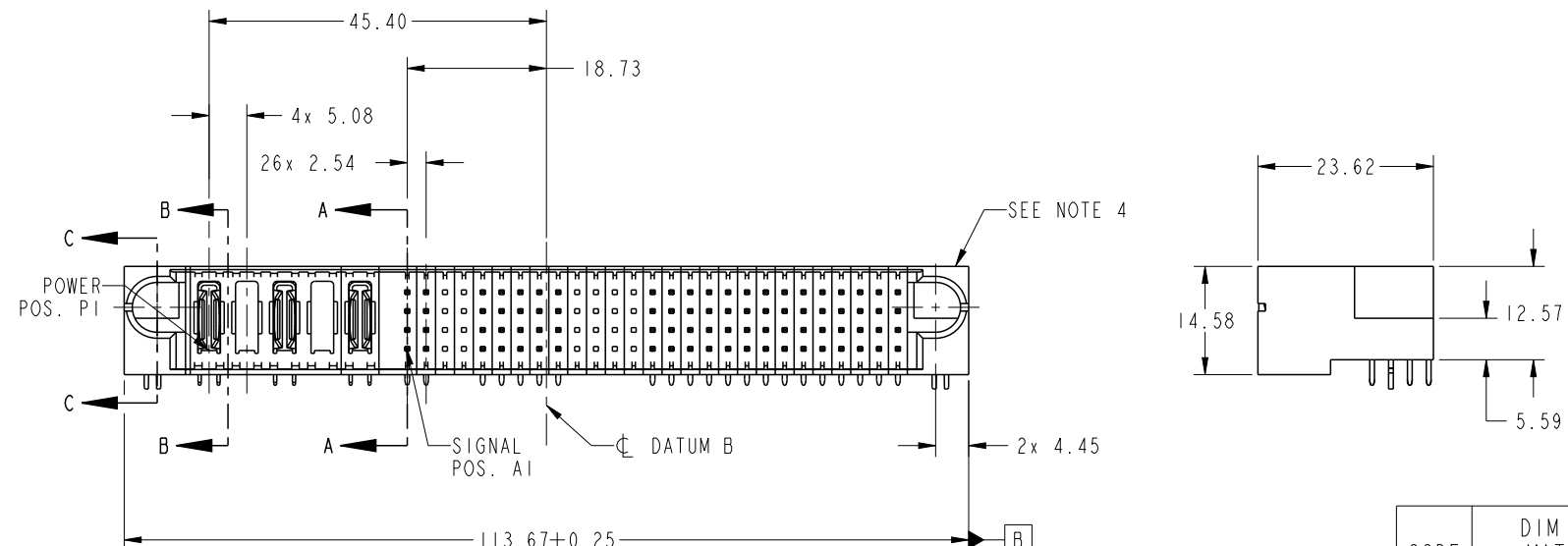


PRODUCT NO. 51939-851-- NOTE 3	ROWS DCBA	POWER					SIGNAL																										
		E1	P1	P2	P3	P4	P5	1	2	3	4	5	6	7	8	9	10	11	12	13	14	15	16	17	18	19	20	21	22	23	24	25	26
			PA	X	PA	X	PA	UU	XX	UUUUUU	XX	XX	UUUUUUUUUUUUUUUUUU	TT	XX	TTTTTT	XX	XX	TTTTTTTTTTTTTTTTTTTT	SS	XX	SSSSSS	XX	XX	SSSSSSSSSSSSSSSSSS	RR	XX	RRRRRR	XX	XX	RRRRRRRRRRRRRRRRRR		



CODE	DIM "M" MATING LENGTH	CONTACT TYPE
U	[6.86]	SIGNAL
T	[6.86]	SIGNAL
S	[6.86]	SIGNAL
R	[6.86]	SIGNAL
PA	[N/A]	POWER
HA	[N/A]	HOLD-DOWN
X	OMITTED	



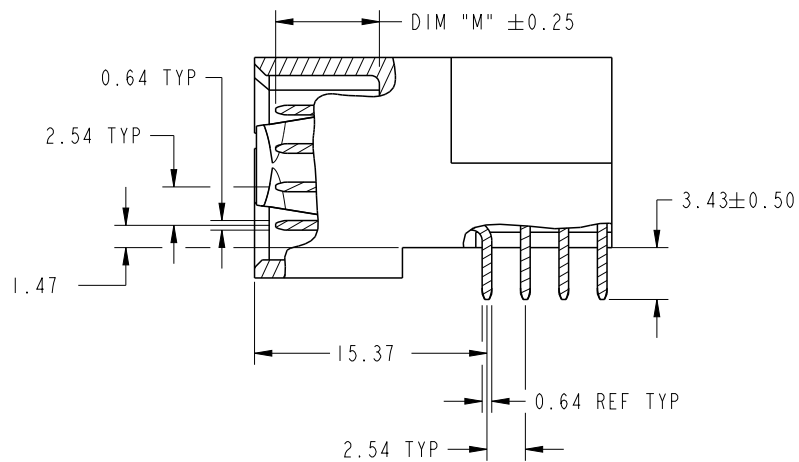
Copyright FCI.

spec ref	*	dr	De-Ming Lu	2014/03/26	projection	MM	size	A4	scale	1:1
tolerance std	ASME Y14.5	eng	De-Ming Lu	2014/04/15		←—→	ecn no		-	
TOLERANCES UNLESS OTHERWISE SPECIFIED		chr	-	-			rel level		Released	
surface ✓	linear	0.X	±0.5				title 5P + 108S RIGHT ANGLE SOLDER HEADER cat. no. -		dwg no 51939-851 rev A	
		0.XX	±0.25							
		0.XXX	±0.1							
ASME Y14.5	angular	0°	±2°		www.fci.com		Product - Customer Drw			sheet 1 of 4

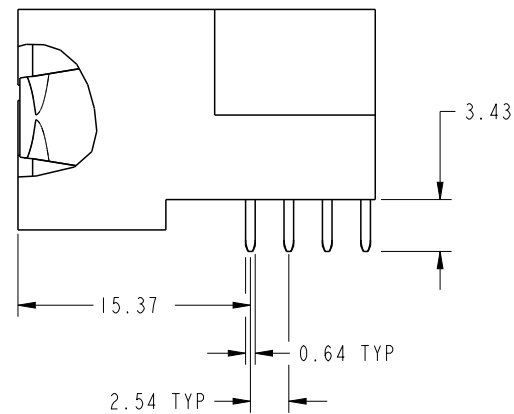
PwrE File - REV C - 2009-06-09

PRODUCT NUMBER

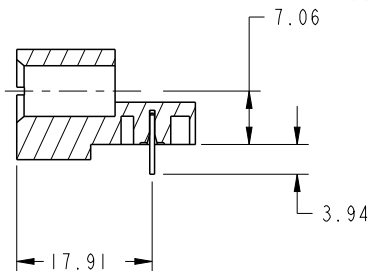
51939-851--
NOTE: 3



BROKEN-OUT SECTION A-A
SCALE 2:1



BROKEN-OUT SECTION B-B
SCALE 2:1

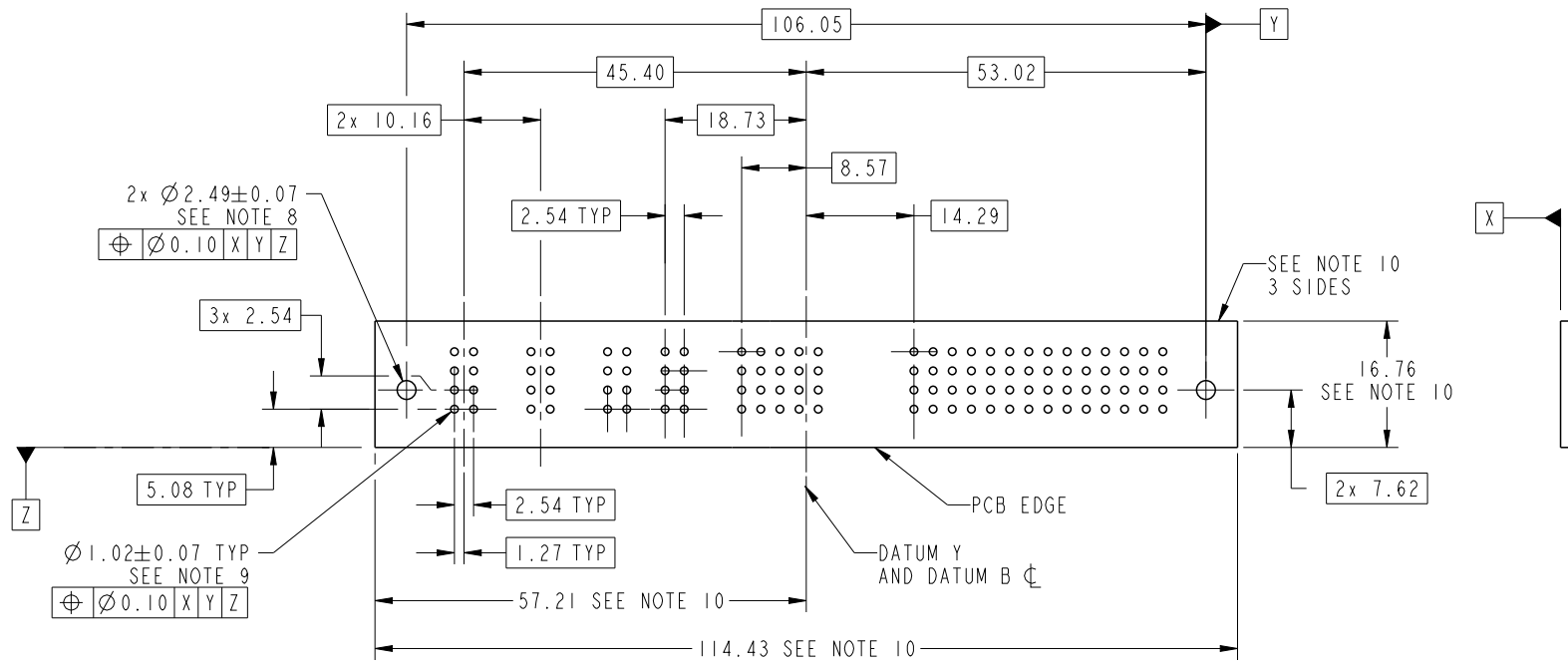


SECTION C-C

dr	De-Ming Lu	2014/03/26	projection 	MM 	size	A4	scale	1:1
eng	De-Ming Lu	2014/04/15			ecn no	-		
chr	-	-			rel level	Released		
appr	Pei-Ming Zheng	2014/04/15	product family	PwrBlade	rev	A		
	title	5P + 108S		dwg no	51939-851			
	title	RIGHT ANGLE SOLDER HEADER		rev	A			
www.fci.com	cat. no.	-	Product - Customer Drw	sheet 2 of 4				

PRODUCT NUMBER

51939-851--
NOTE: 3



RECOMMENDED PCB LAYOUT

dr	De-Ming Lu	2014/03/26	projection 	MM 	size	A4	scale	1:1	
eng	De-Ming Lu	2014/04/15			ecn no	-			
chr	-	-			rel level	Released			
appr	Pei-Ming Zheng	2014/04/15	product family	PwrBlade					
		title	5P + 108S RIGHT ANGLE SOLDER HEADER		dwg no	51939-851		rev	A
www.fci.com		cat. no.	-	Product - Customer Drw			sheet 3 of 4		

PRODUCT NUMBER

51939-851--
NOTE: 3

NOTES:

1. DIMENSIONS AND TOLERANCES ARE IN ACCORDANCE WITH ASME Y14.5M, 1994 UNLESS OTHERWISE SPECIFIED.

CONNECTOR NOTES:

- 2. HOUSING MATERIAL: UL 94 V-0 GLASS FILLED HIGH-TEMP THERMOPLASTIC
POWER CONTACT MATERIAL: COPPER ALLOY
SIGNAL PIN MATERIAL: COPPER ALLOY
- 3. SEE ITEM 1 & 2 IN PRINT 10064183 FOR PLATING SPEC OF 51939-851 AND 51939-851LF RESPECTIVELY.
- 4. MANUFACTURER'S NAME, DATE CODE AND OPTIONAL P/N TO APPEAR ON THIS SURFACE. THE MARK CAN BE OMITTED IF THERE IS NOT ENOUGH SPACE ON THIS SURFACE.
- 5. PRODUCT SPECIFICATION GS-12-149.
APPLICATION SPECIFICATION BUS-20-067.
- 6. PACKAGED IN TRAYS.

PCB NOTES:

- 7. ALL HOLE DIAMETERS ARE FINISHED HOLE SIZE.
- 8. MOUNTING HOLES, WHERE APPLICABLE, ARE UNPLATED.
- 9. $\varnothing 1.151 \pm 0.025$ DRILLED HOLES PLATED WITH
0.008 MIN SnPb OR Sn OVER 0.03
TO 0.08 Cu PLATING TO ACHIEVE
 $\varnothing 1.02 \pm 0.07$ HOLE.
- 10. CONNECTOR KEEP-OUT ZONE.



Copyright FCI.

dr	De-Ming Lu	2014/03/26	projection 	MM 	size	A4	scale	1:1			
eng	De-Ming Lu	2014/04/15			ecn no	-					
chr	-	-			product family	PwrBlade	rel level	Released			
appr	Pei-Ming Zheng	2014/04/15			title	5P + 108S RIGHT ANGLE SOLDER HEADER		dwg no	51939-851	rev	A
www.fci.com		cat. no.	-	Product - Customer Drw			sheet 4 of 4				