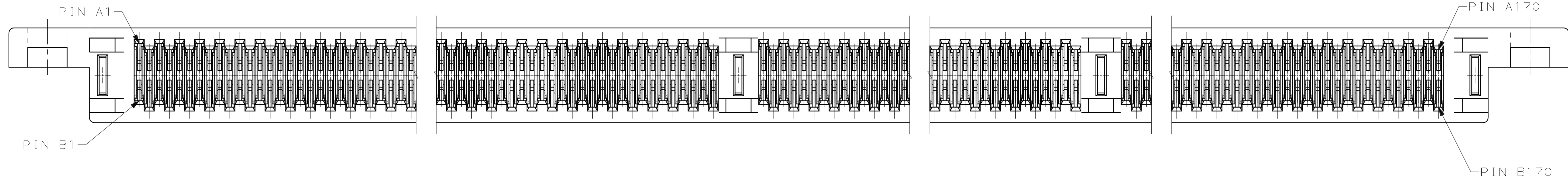
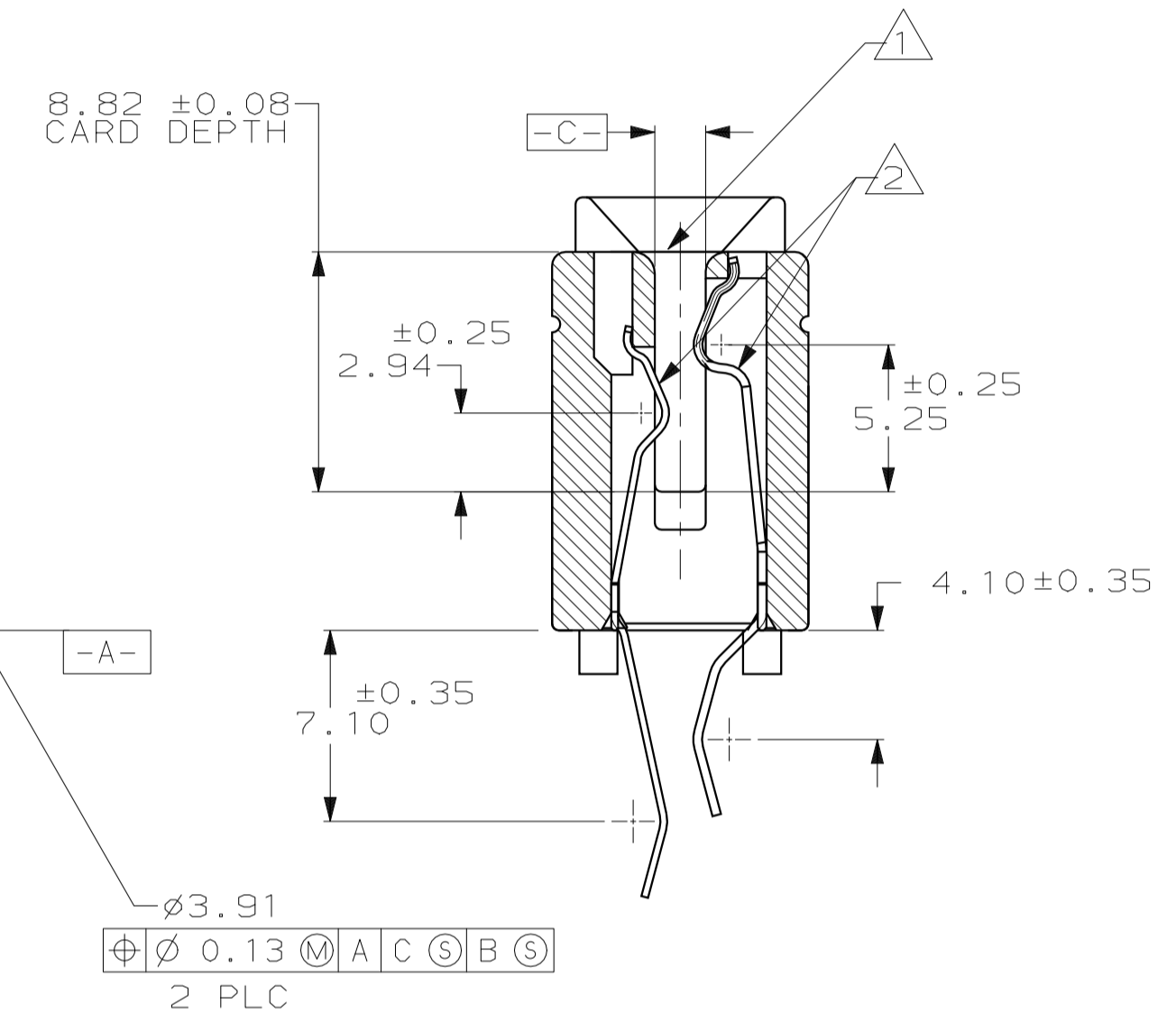
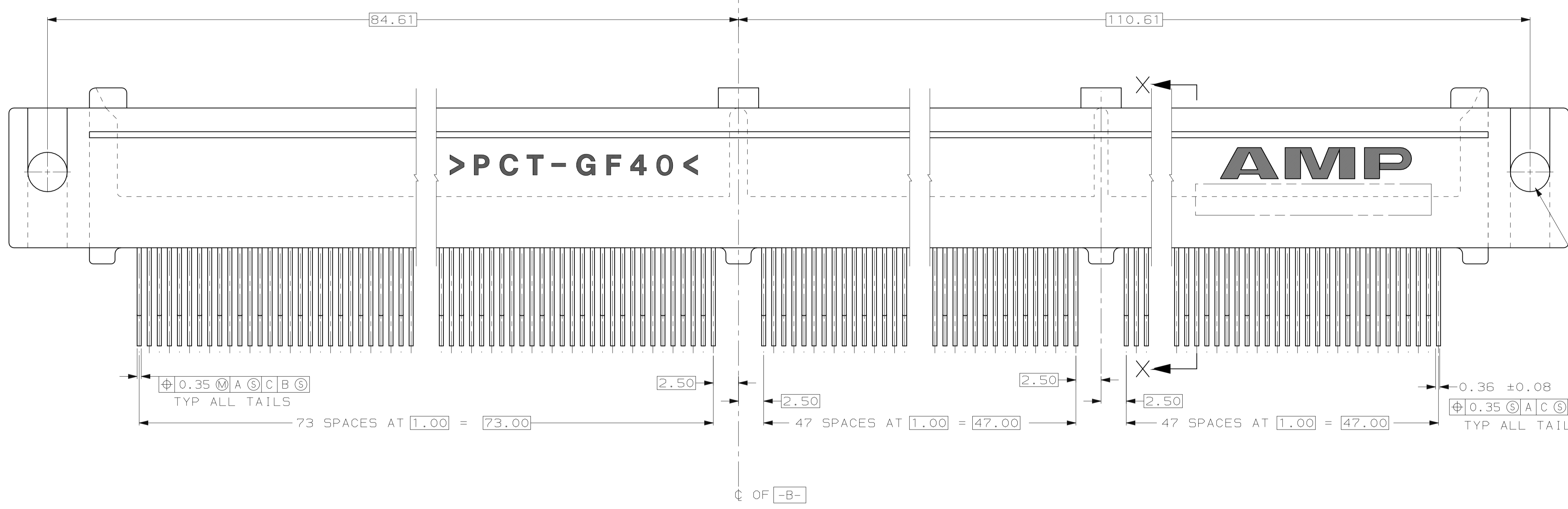
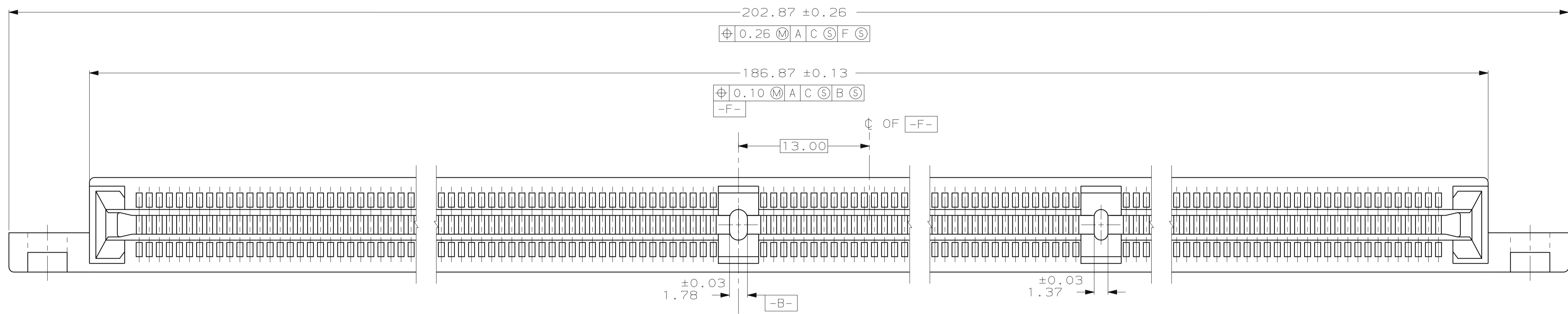


LOC		DIST		REVISIONS			
AD	14	REV	LTR	DESCRIPTION	DATE	DWN	APVD
		0		PROPOSED	18MAR99	RB	KS

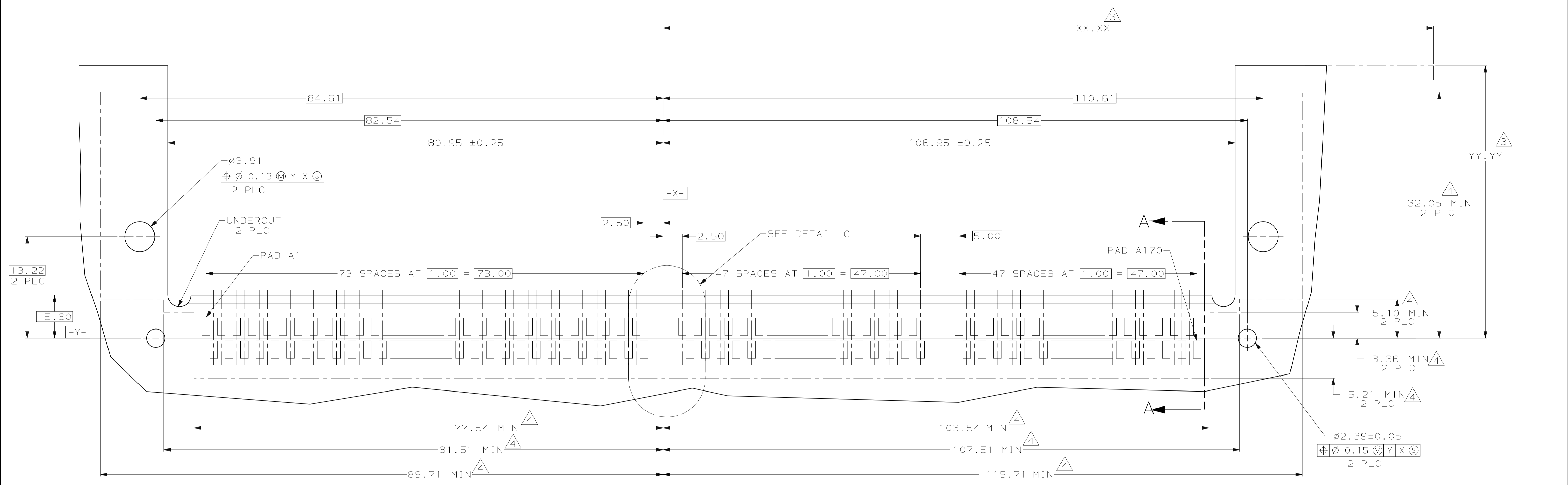


- 1 MATERIAL: HOUSING, THERMOPLASTIC, COLOR: BROWN. CONTACTS, PHOSPHOR BRONZE.
- 2 FINISH: CONTACTS, 1.27 MIN. MICROMETERS NICKEL ALL OVER, 0.38 MIN. MICROMETERS GOLD OVER NICKEL IN CONTACT AREA, 2.54 MIN MICROMETERS TIN-LEAD OVER NICKEL ON SOLDER TAILS.
- 3 DIMENSIONS AND DATUMS TO BE ESTABLISHED BY CUSTOMER.
- 4 MINIMUM KEEP OUT DISTANCE.
- 5 FINISH: CONTACTS, 1.27 MIN. MICROMETERS NICKEL ALL OVER, 0.0254-0.0762 MIN. MICROMETERS GOLD OVER NICKEL IN CONTACT AREA, 2.54 MIN MICROMETERS TIN-LEAD OVER NICKEL ON SOLDER TAILS.
- 6 FASTENER KEEP OUT DISTANCE TO BE SPECIFIED BY CUSTOMER.

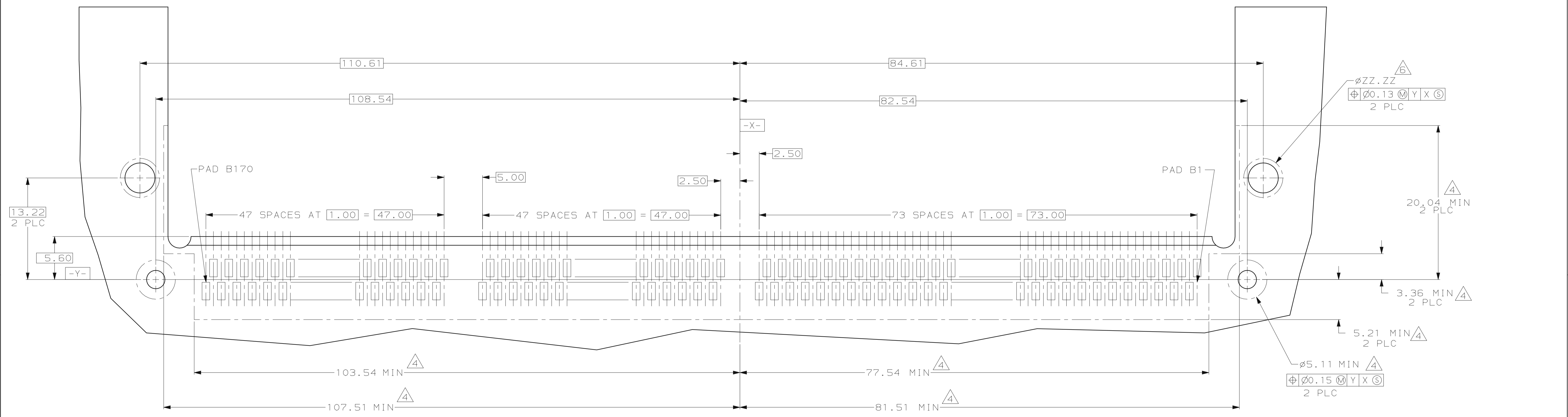
SEE SHEET 2 OF 2 FOR  
RECOMMENDED BOARD LAYOUTS

<small>THIS DRAWING IS UNPUBLISHED. RELEASED FOR PUBLICATION .19                  © COPYRIGHT 19 BY AMP INCORPORATED. ALL RIGHTS RESERVED.</small>		DWN R BROWN 18MAR99 CHK K STILES 18MAR99 D SUMMERS 18MAR99 PRODUCT SPEC APPLICATION SPEC WEIGHT CUSTOMER DRAWING	AMP Incorporated Harrisburg, PA 17105-3608 AMP, 1mm $\phi$ , STANDARD EDGE, 340 POSN, STRADDLE MOUNT CONNECTOR WITH MOUNTING EARS SIZE A1 CASE CODE 00779 DRAWING NO C=145282 SCALE 4:1 SHEET 14 REV 0
DIMENSIONS: mm 	TOLERANCES UNLESS OTHERWISE SPECIFIED: 0 PLC ± 1 PLC ± 2 PLC ±0.13 3 PLC ±0.013 4 PLC ± ANGLES ±1°	MATERIAL 1	FINISH 2

LOC	DIST	REV	DESCRIPTION	DATE	DWN	APVD
AD	14		SEE SHEET 1			



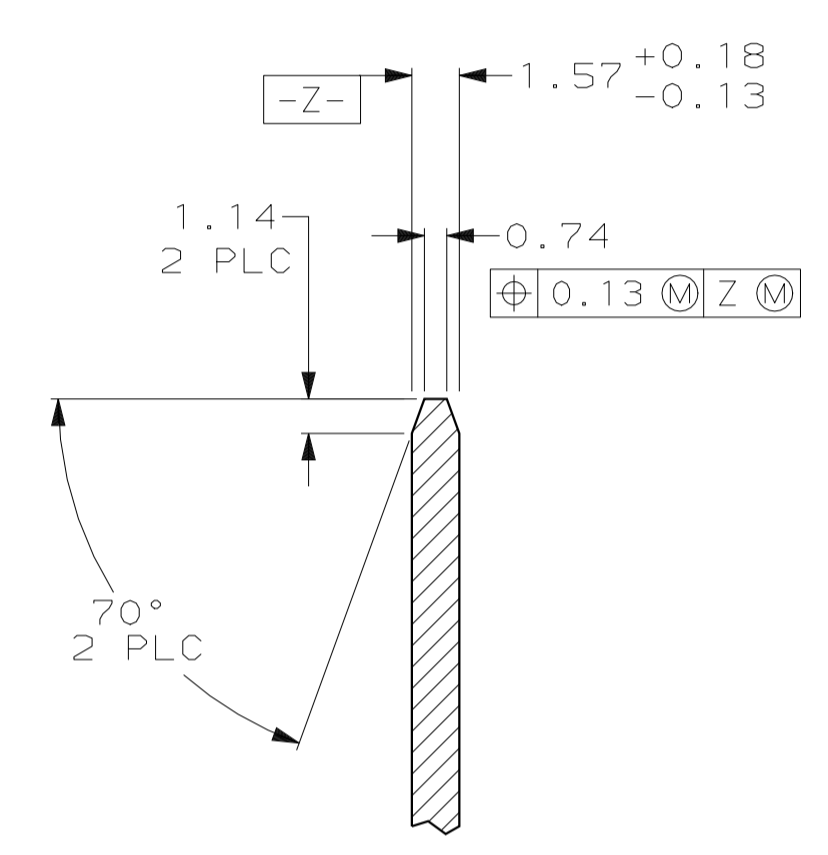
RECOMMENDED CONNECTOR MATING PAD PATTERN  
 (PRIMARY SIDE SHOWN)



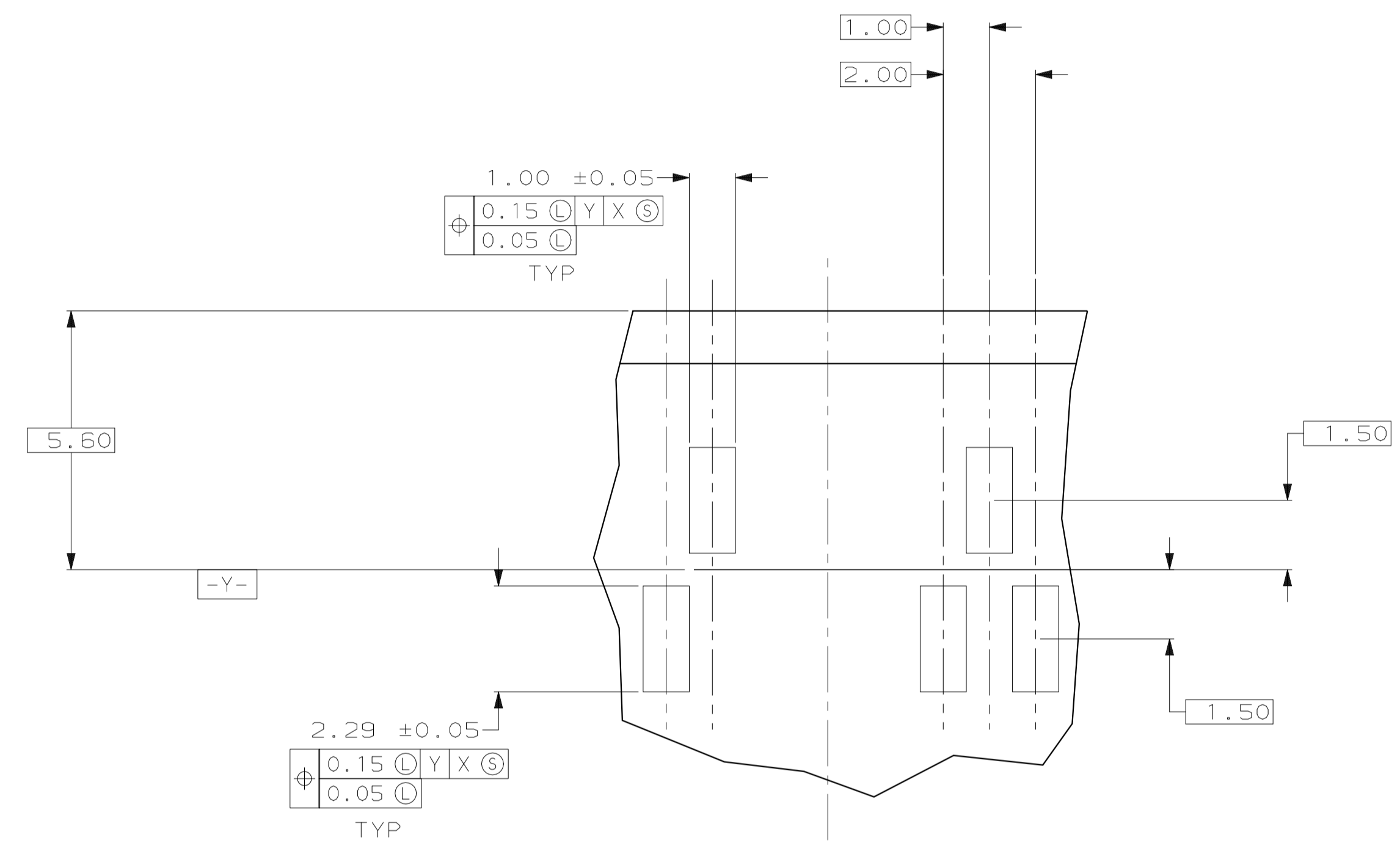
RECOMMENDED CONNECTOR MATING PAD PATTERN  
 (SECONDARY SIDE SHOWN)

MOTHER BOARD LAYOUT

<small>THIS DRAWING IS UNPUBLISHED. RELEASED FOR PUBLICATION .19. IF IT IS SUBJECT TO CHANGE AMP, THE CONTROLLING ENGINEERING REGULATION SHOULD BE CONTROLLED FOR THE LATEST REVISION.</small>		DWN R BROWN 30MAR99 CHK K STILES 30MAR99 D SUMMERS 30MAR99	AMP Incorporated Harrisburg, PA 17105-3608
DIMENSIONS: mm	TOLERANCES UNLESS OTHERWISE SPECIFIED: 0 PLC ±.01 1 PLC ±.02 2 PLC ±.03 3 PLC ±.04 4 PLC ±.05 ANGLES ±.1°	NAME AMP, 1mm C, STANDARD EDGE, 340 POSN, STRADDLE MOUNT CONNECTOR WITH MOUNTING EARS APPLICATION SPEC CASE CODE DRAWING NO. C=145282	SIZE A1 CASE CODE 00779 DRAWING NO. C=145282
MATERIAL	FINISH	WEIGHT	SCALE 4:1
CUSTOMER DRAWING		SHEET 24	REV 0



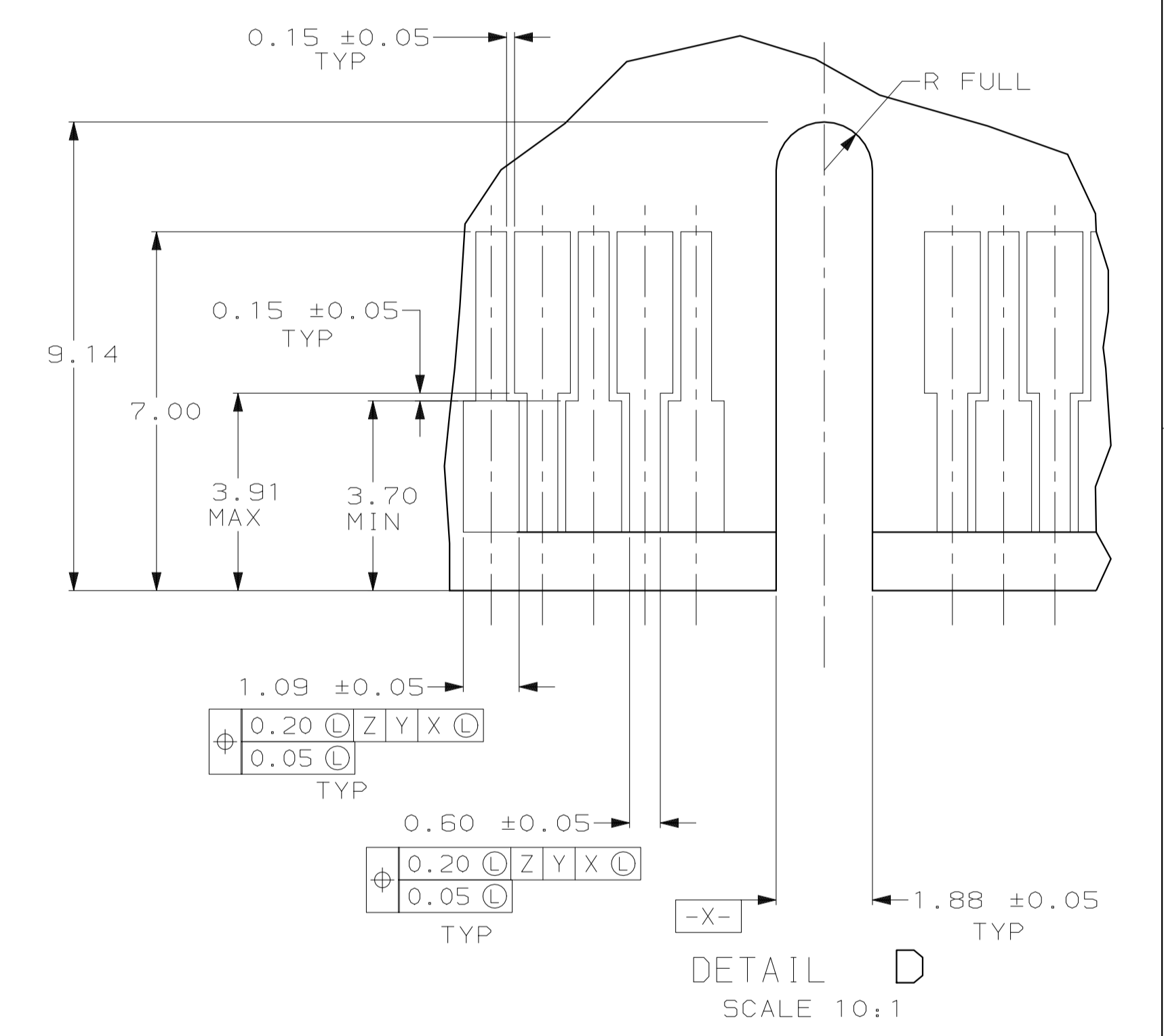
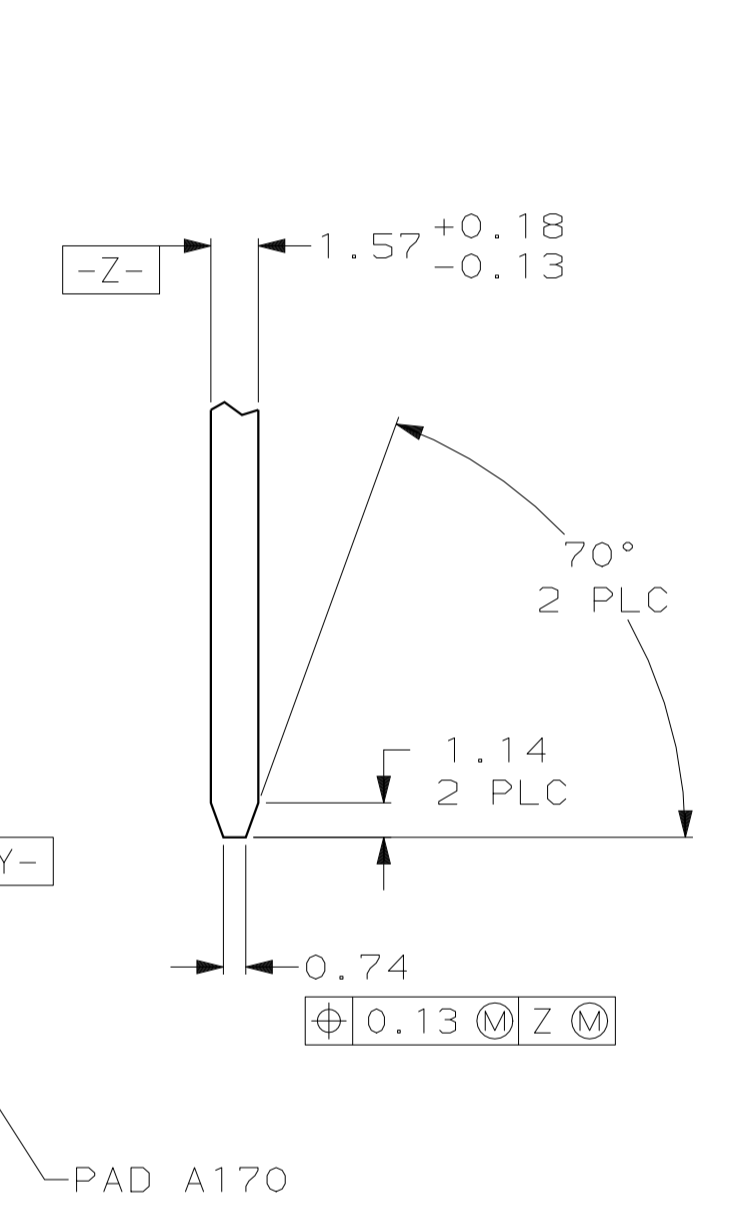
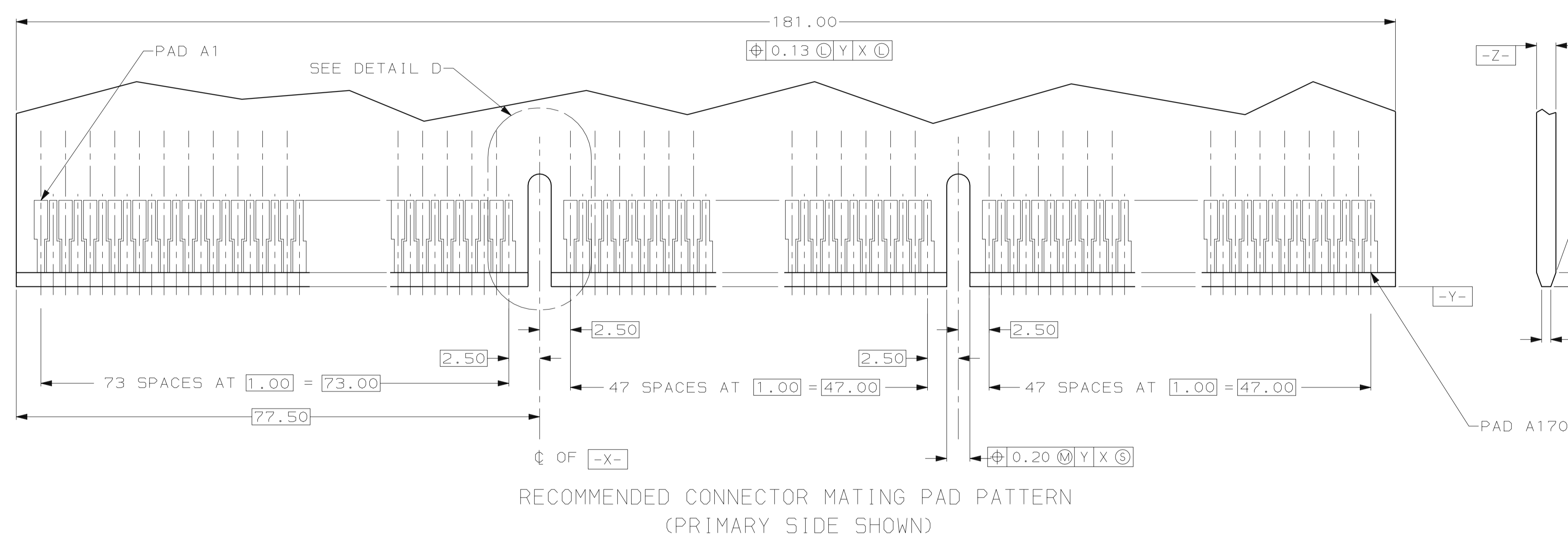
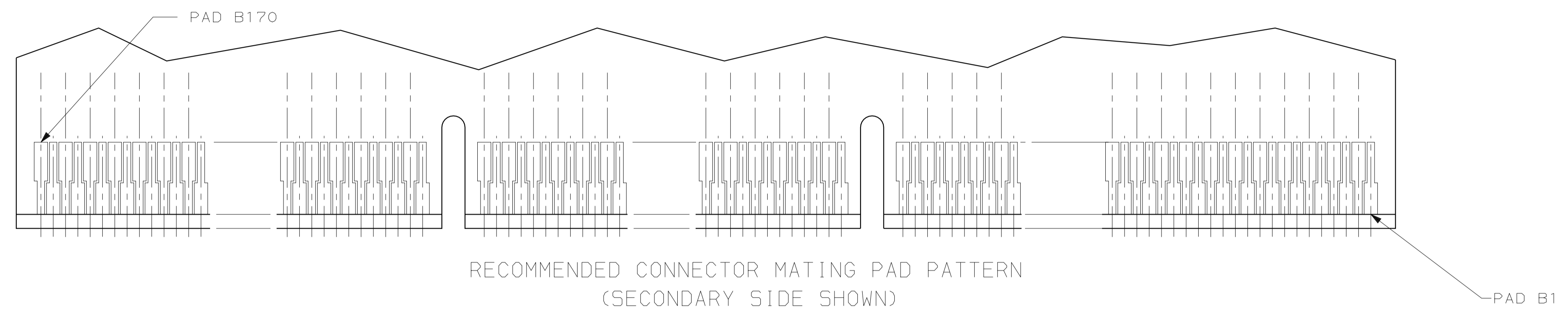
SECTION A-A



DETAIL G  
SCALE 10:1

<small>THIS DRAWING IS UNPUBLISHED. RELEASED FOR PUBLICATION .19                  IF IT IS SUBJECT TO CHANGE AMP, THE CONTROLLING ENGINEERING                  REGULATION SHOULD BE CONTACTED FOR THE LATEST REVISION.</small>		DWN R BROWN 30MAR99 CHK K STILES 30MAR99 D SUMMERS 30MAR99	AMP Incorporated Harrisburg, PA 17105-3608
DIMENSIONS: mm 	TOLERANCES UNLESS OTHERWISE SPECIFIED: 0 PLC ±.05 1 PLC ±.05 2 PLC ±.05 3 PLC ±.05 4 PLC ±.05 ANGLES ±.1°	PRODUCT SPEC APPLICATION SPEC WEIGHT CUSTOMER DRAWING	AMP, 1mm $\phi$ , STANDARD EDGE, 340 POSN, STRADDLE MOUNT CONNECTOR WITH MOUNTING EARS SIZE A1 CASE CODE 00779 DRAWING NO. C=145282 SCALE 4:1 SHEET 3 OF 4 REV 0

LOC		DIST		REVISIONS			
AD	14	SP	LTR	DESCRIPTION	DATE	DWN	APVD
-	-	-	-	SEE SHEET 1	-	-	-



DAUGHTER CARD LAYOUT

<small>THIS DRAWING IS UNPUBLISHED. RELEASED FOR PUBLICATION .19                  © COPYRIGHT 19 BY AMP INCORPORATED. ALL RIGHTS RESERVED.</small>		DWN R BROWN 30MAR99 CHK K STILES 30MAR99 APVD D SUMMERS 30MAR99	AMP Incorporated Harrisburg, PA 17105-3608
DIMENSIONS: mm	TOLERANCES UNLESS OTHERWISE SPECIFIED: 0 PLC ±.01 1 PLC ±.02 2 PLC ±.03 3 PLC ±.04 4 PLC ±.05 ANGLES ±.1°	NAME AMP, 1mm $\phi$ , STANDARD EDGE, 340 POSN, STRADDLE MOUNT CONNECTOR WITH MOUNTING EARS	SIZE A1 00779
MATERIAL -	FINISH -	APPLICATION SPEC -	DRAWING NO C=145282
CUSTOMER DRAWING		WEIGHT -	SCALE 4:1