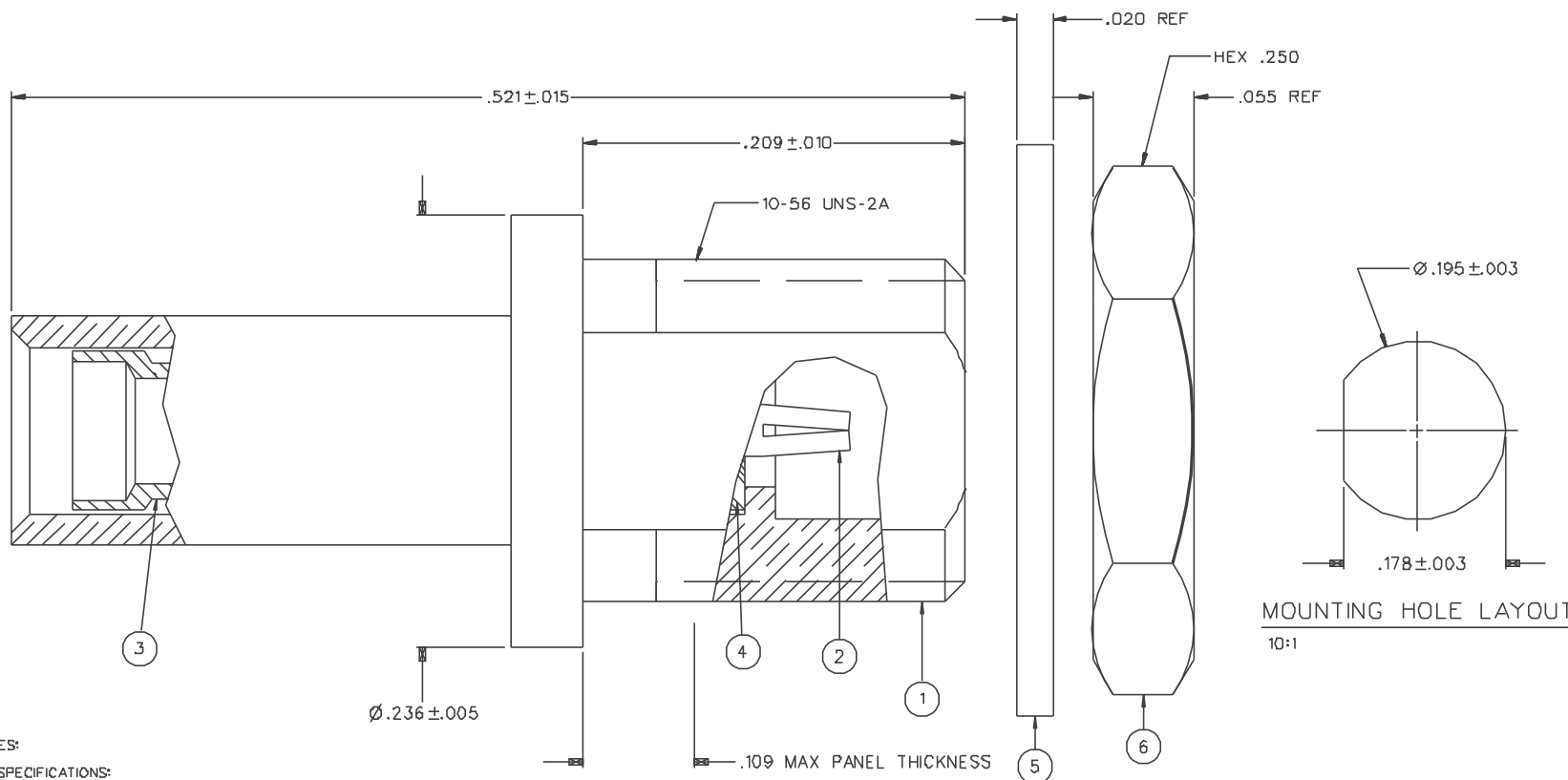
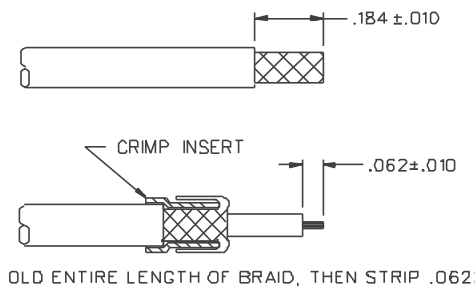


PART NUMBER 135-3302-401	ITEM ① BODY BRASS GOLD PL .00001 MIN OVER NICKEL PL .00005 MIN OVER COPPER PL .00005 MIN	ITEM ② CONTACT BERYLLIUM COPPER GOLD PL .00003 MIN OVER NICKEL PL .00005 MIN OVER COPPER PL .00005 MIN	ITEM ③ CRIMP INSERT BRASS GOLD PL .00001 MIN OVER NICKEL PL .00005 MIN OVER COPPER PL .00005 MIN	ITEM ④ INSULATOR TEFLON	ITEM ⑤ LOCKWASHER PHOSPHOR BRONZE GOLD PL .00001 MIN OVER NICKEL PL .00005 MIN OVER COPPER PL .00005 MIN	ITEM ⑥ NUT BRASS GOLD PL .00001 MIN OVER NICKEL PL .00005 MIN OVER COPPER PL .00005 MIN
-----------------------------	---	---	---	-------------------------------	---	--

DRAWING NO. C - 135-3302-401/410	
0 REVISIONS	
ENGINEERING RELEASE	
1	12-21-98 R H B 1-5-99 ECN 46059
CHANGED: .521±.015 WAS .496±.015	
2	1-26-00 R H B ECN 46902



MOUNTING HOLE LAYOUT  
10:1



CABLE STRIP DIMENSIONS  
4:1

NOTES:

1. SPECIFICATIONS:

IMPEDANCE: 50 OHMS  
 FREQUENCY RANGE: 0-6 GHz  
 VSWR: 1.25 MAX (F IN GHz)  
 WORKING VOLTAGE: 170 VRMS MAX AT SEA LEVEL  
 DIELECTRIC WITHSTANDING VOLTAGE: 500 VRMS MIN AT SEA LEVEL  
 INSULATION RESISTANCE: 1000 MEGOHM MIN  
 CONTACT RESISTANCE:  
 CENTER CONTACT - INITIAL 5.0 MILLIOHM MAX, AFTER ENVIRONMENTAL 8.0 MILLIOHM MAX  
 OUTER CONDUCTOR - GOLD PLATED INITIAL 1 MILLIOHM MAX, AFTER ENVIRONMENTAL 1.5 MILLIOHM MAX  
 BODY TO BRAID - GOLD PLATED INITIAL 1.5 MILLIOHM MAX, AFTER ENVIRONMENTAL NOT APPLICABLE  
 CORONA LEVEL: 190 VOLTS MINIMUM AT 70,000 FEET  
 INSERTION LOSS: 0.1DB MAX AT 1 GHz  
 RF LEAKAGE: -60 DB AT 2.5 GHz  
 RF HIGH POTENTIAL WITHSTANDING VOLTAGE: 400 VRMS AT 4 AND 7 MHZ

MECHANICAL:

ENGAGE/DISENGAGE FORCE: 8.0 LBS MAX ENGAGEMENT, 1.4 LBS MIN DISENGAGEMENT  
 CONTACT RETENTION FORCE: 2.0 LBS MIN AXIAL FORCE  
 CONTACT RETENTION TORQUE: NOT APPLICABLE  
 COUPLING MECHANISM RETENTION: NOT APPLICABLE  
 CABLE ACCEPTABILITY: RG 17B/U, RG 196/U  
 CABLE HEX CRIMP SIZE: .105 HEX  
 CABLE RETENTION: 7.0 LBS  
 DURABILITY: 500 CYCLES MIN

ENVIRONMENTAL:

(MEETS OR EXCEEDS THE APPLICABLE PARAGRAPH OF MIL-C-39012)  
 THERMAL SHOCK: MIL-STD-202, METHOD 107, CONDITION C, EXCEPT -55 DEG C TO 155 DEG C  
 OPERATING TEMPERATURE: -55 DEG C TO 155 DEG C  
 CORROSION: MIL-STD-202, METHOD 101, CONDITION B  
 SHOCK: MIL-STD-202, METHOD 213, CONDITION B  
 VIBRATION: MIL-STD-202, METHOD 204, CONDITION D  
 MOISTURE: MIL-STD-202, METHOD 106

CUSTOMER DRAWING

THIS DRAWING TO BE INTERPRETED PER ANSI Y 14.5M - 1982

"µSTATION"

COMPANY CONFIDENTIAL

TOLERANCE UNLESS OTHERWISE SPECIFIED	DRAWN BY RJB	DATE 11-4-98	 Cinch Connectivity Solutions 299 Johnson Ave. Ste. 100 Waukegan, MN 55093 1-800-247-8256
DECIMALS	CHECKED BY	DATE	
.XX			TITLE ASSEMBLY JACK STRAIGHT CABLED BULKHEAD, MMCX RG17B
.XXX	APPROVED BY RJB	DATE 12-21-98	CODE NO.
MATL	APPROVED BY	DATE	DRAWING NO. C - 135-3302-401/410
FINISH	RELEASE DATE		SCALE 20:1   W/M INCH   SHEET 2 OF 2