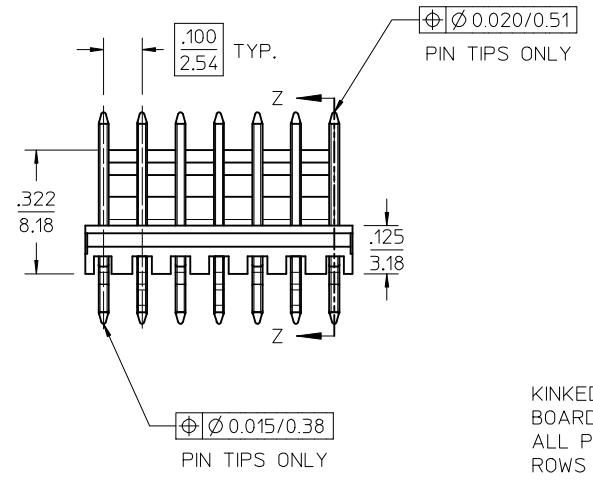


NOTES

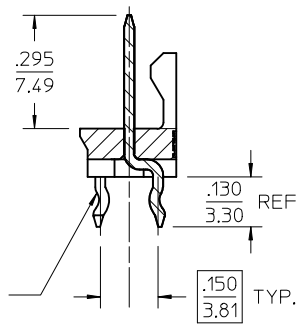
1. MATERIAL: WAFER - GLASS FILLED POLYESTER, UL94 V-0, COLOR: NATURAL (WHITE)
PIN - BRASS
2. FINISH: OVERALL REFLOWED MATTE TIN: .000060/0.00152 MIN. OVER .000050/0.00127 MIN. NICKEL
3. PRODUCT SPECIFICATION: PS-10-07
4. BULK PACK PER PK-43009-001
5. THIS PART CONFORMS TO CLASS B REQUIREMENTS OF COSMETIC SPECIFICATION PS-45499-002.
6. ENGRAVING LOCATION IS DETERMINED BY TOOLING AND WILL BE PRESENT AT EITHER LOCATION SHOWN.

ENG. NO. DESIGNATION:

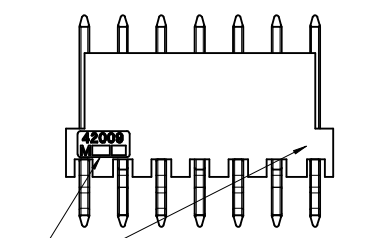
A-42009- N - **
 CKT. SIZE [] [] VOID PIN DESIGNATION
 A= #1 PIN
 B= #2 PIN
 C= #3 PIN
 ECT.



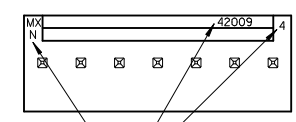
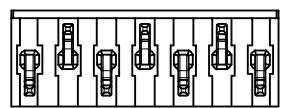
KINKED PINS FOR P.C. BOARD RETENTION- ALL PINS KINKED, TWO ROWS OPPOSING EACH OTHER



SECTION Z-Z

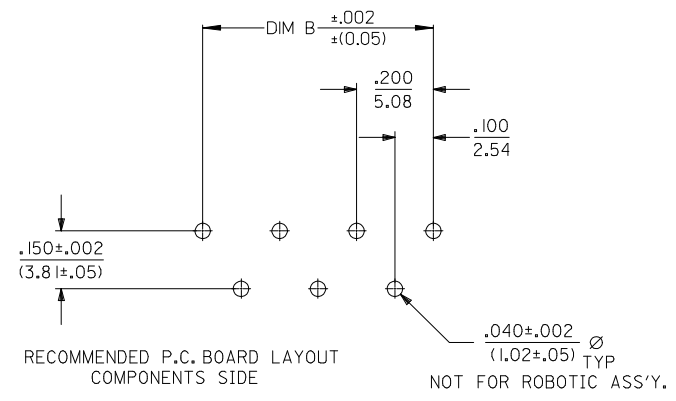


ENGRAVING MAY BE PRESENT ON EITHER END OF THE PART



ALTERNATE ENGRAVING LOCATION SEE NOTE 6

10	.995/(25.27)	.900/(22.86)
9	.895/(22.73)	.800/(20.32)
8	.795/(20.19)	.700/(17.78)
7	.695/(17.65)	.600/(15.24)
6	.595/(15.11)	.500/(12.70)
5	.495/(12.57)	.400/(10.16)
4	.395/(10.03)	.300/(7.62)
3	.295/(7.49)	.200/(5.08)
2	.195/(4.95)	.100/(2.54)
CKT SIZE	DIM A	DIM B



REDRAWN, ENGRAVING EC NO: UCP2013-3460 DRWN:KIPPER 2013/04/11 CHKD:ANDERSON 2013/04/11 APPR:FSMITH 2014/01/13	QUALITY SYMBOLS ∇=0 ∇=0 ∇=0	GENERAL TOLERANCES (UNLESS SPECIFIED)		DIMENSION STYLE IN/MM		SCALE 4:1	DESIGN UNITS INCH	THIRD ANGLE PROJECTION		
		4 PLACES ± --- ± ---	DRAWN BY EDGLE Y	DATE 1986/11/29	WAFER, FRICTION LOCK ASSEMBLY molex DOCUMENT NO. SDA-42009-* SHEET NO. 1 OF 2					
		3 PLACES ± --- ± .010	CHECKED BY EDGLE Y	DATE 1986/11/29						
		2 PLACES ± 0.25 ± .014	APPROVED BY FSMITH	DATE 2014/01/13						
1 PLACE ± 0.36 ± ---	MATERIAL NO. SEE CHART									
0 PLACE ± --- ± ---	ANGULAR ±1/2°		DRAFT WHERE APPLICABLE MUST REMAIN WITHIN DIMENSIONS							

13 12 11 10 9 8 7 6 5 4 3 2 1

A-42009-N

PART NO.	ENG. NO	VOID CKT.
22-23-3024	A-42009-2	NONE
22-23-3034	A-42009-3	NONE
22-23-3044	A-42009-4	NONE
22-23-3054	A-42009-5	NONE
22-23-3064	A-42009-6	NONE
22-23-3074	A-42009-7	NONE
22-23-3084	A-42009-8	NONE
22-23-3094	A-42009-9	NONE
22-23-3104	A-42009-10	NONE
22-46-4041	A-42009-4-B	2
22-46-4042	A-42009-4-C	3
22-46-4052	A-42009-5-B	2
22-46-4053	A-42009-5-C	3
22-46-4050	A-42009-5-D	4
22-46-4051	A-42009-5-E	5
22-46-4064	A-42009-6-B	2
	A-42009-6-BC	2,3
22-46-4068	A-42009-6-D	4
22-46-4065	A-42009-6-E	5
22-46-4069	A-42009-6-F	6
22-46-4072	A-42009-7-E	5
22-46-4080	A-42009-8-D	4
22-46-4081	A-42009-8-E	5
22-46-4031	A-42009-3-C	3
22-46-4063	A-42009-6-DE	4,5
22-46-4062	A-42009-6-CF	3,6
22-46-4061	A-42009-6-BD	2,4
22-46-4030	A-42009-3-B	2
22-46-4066	A-42009-6-C	3
22-46-4071	A-42009-7-D	4
22-46-4067	A-42009-6-CE	3,5
22-46-4074	A-42009-7-C	3
22-46-4075	A-42009-7-F	6
22-46-4073	A-42009-7-B	2
22-46-4082	A-42009-8-H	8
22-46-4083	A-42009-8-F	6
22-46-4101	A-42009-10-I	9
22-46-4100	A-42009-10-B	2
22-46-4043	A-42009-4-D	4
22-46-4060	A-42009-6-BE	2,5

ENG. NO. DESIGNATION:
 A-42009- N - **
 CKT. SIZE ———— VOID PIN DESIGNATION
 A= #1 PIN
 B= #2 PIN
 C= #3 PIN
 ECT.

COLUMN NO. I	CON'T. IN COLUMN NO.	SHEET NO.
--------------	----------------------	-----------

REDRAWN EC NO: UCP2013-3460 DRWN:KIPPER 2013/04/11 CHKD:ANDERSON 2013/04/11 APPR:FSMITH 2014/01/13 Q	QUALITY SYMBOLS = 0 = 0 = 0	GENERAL TOLERANCES (UNLESS SPECIFIED)	DIMENSION STYLE IN/MM	SCALE ---	DESIGN UNITS INCH	THIRD ANGLE PROJECTION	
		4 PLACES ± --- ± --- 3 PLACES ± --- ±.010 2 PLACES ± 0.25 ±.014 1 PLACE ± 0.36 ± --- 0 PLACE ± --- ± ---	DRAWN BY DATE EDGLEY 1986/11/29	TITLE WAFER, FRICTION LOCK ASSEMBLY			
		DRAFT WHERE APPLICABLE MUST REMAIN WITHIN DIMENSIONS	CHECKED BY DATE EDGLEY 1986/11/29				
	ANGULAR ±1/2°	APPROVED BY DATE FSMITH 2014/01/13	molex				
	MATERIAL NO. SEE CHART	DOCUMENT NO. SDA-42009-*	SHEET NO. 2 OF 2				
	THIS DRAWING CONTAINS INFORMATION THAT IS PROPRIETARY TO MOLEX INCORPORATED AND SHOULD NOT BE USED WITHOUT WRITTEN PERMISSION						
	SIZE						
	SIZE						