

THE INFORMATION CONTAINED HEREIN IS CONSIDERED "PROPRIETARY" TO BEL FUSE INC. AND SHALL NOT BE COPIED, REPRODUCED OR DISCLOSED WITHOUT THE WRITTEN APPROVAL OF BEL FUSE INC.

RoHS
2002/95/EC



LED1 POLARITY			LED2 POLARITY		
PIN 21	PIN 22	COLOR	PIN 19	PIN 20	COLOR
+	-	YELLOW	-	+	GREEN
-	+	GREEN			

ELECTRICAL CHARACTERISTICS @ 25°C

URNS RATIO

TP1	1CT : 1CT ±2%
TP2	1CT : 1CT ±2%
TP3	1CT : 1CT ±2%
TP4	1CT : 1CT ±2%

□CL @ 100kHz/100mVRMS
8mA DC BIAS

INS. LOSS	350µH MIN.
100KHz TO 100MHz	-0.8 dB MAX
100MHz TO 125MHz	-1.2 dB MAX

RET. LOSS (MIN)	-18 dB
0.5MHz-40MHz	-12+20LOG(f/80MHz) dB
40MHz-100MHz	

CM TO CM REJ	-30 dB MIN
100kHz - 100MHz	

CM TO DM REJ	-35 dB MIN
100kHz - 100MHz	

HIPOT (Isolation Voltage): 1500 Vrms or 2250VDC

LED 1				
VF (FORWARD VOLTAGE)	IF=20mA	YELLOW	2.1V TYP.	
		GREEN	2.2V TYP.	
λD (DOMINANT WAVELENGTH)	IF=20mA	YELLOW	590nm TYP.	
		GREEN	565nm TYP.	

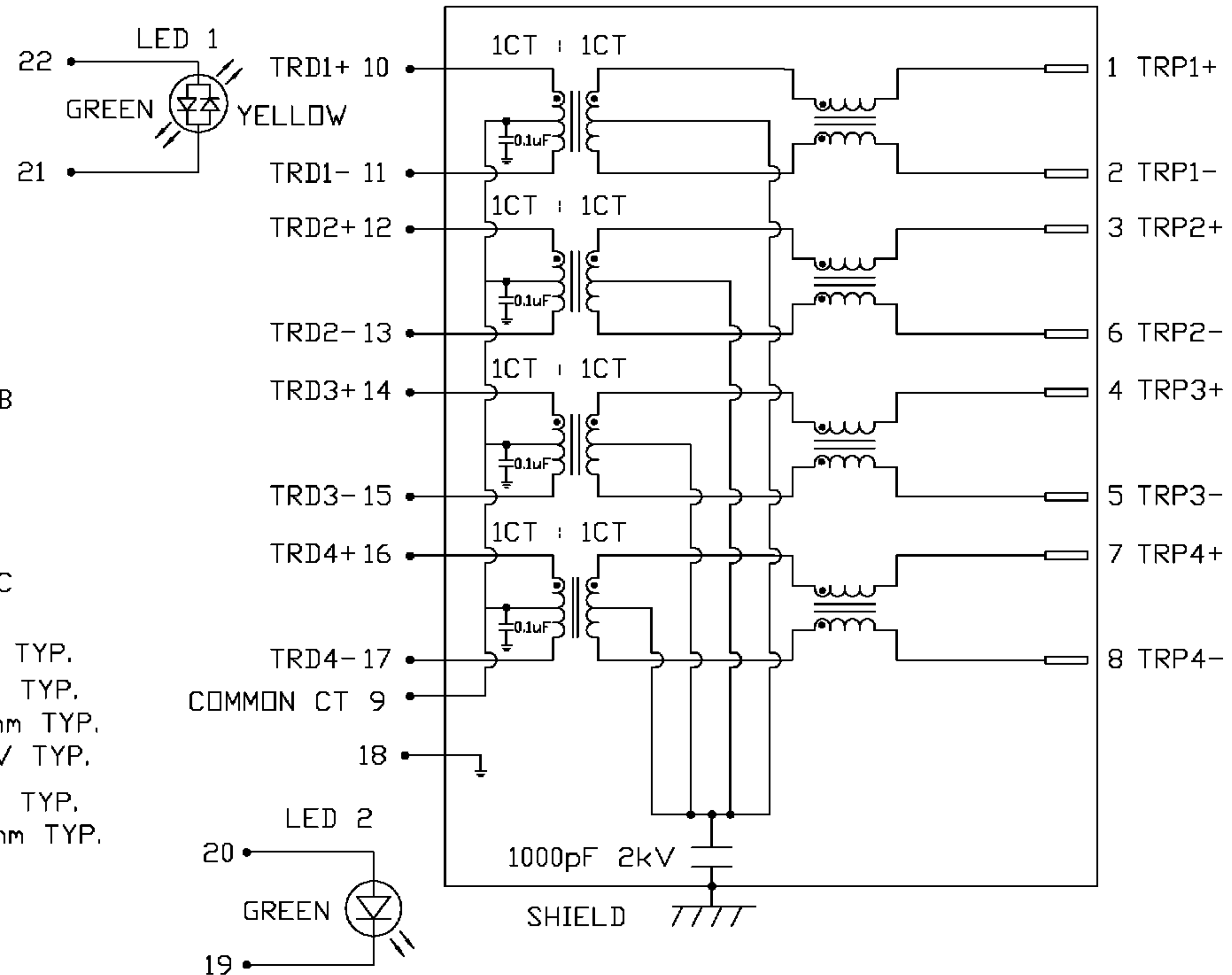
LED 2				
VF (FORWARD VOLTAGE)	IF=20mA	GREEN	2.2V TYP.	
λD (DOMINANT WAVELENGTH)	IF=20mA	GREEN	565nm TYP.	

USB ELECTRICAL:

INSULATION RESISTANCE: 1000 MEGA Ω (MIN)
CONTACT RESISTANCE: 25 MILLI Ω (MAX)
DIELECTRIC WITHSTANDING: 750 VAC

SCHEMATIC

RJ45



ORIGINATED BY	DATE	TITLE	PART NO. / DRAWING NO.	STANDARD DIM.	[] METRIC DIM. AS REFERENCE
CHUNG	04-12-06	gigabit MagJack® Combo (Staggered pin, 8 cores)	C893-1RX1-E3	TOL. IN INCH	UNIT : INCH [mm]
DRAWN BY	DATE		FILE NAME	.X	SCALE : N/A
DE	04-12-06	C8931RX1E3C.DWG	.XX		REV. : C
			.XXX		SIZE : A4
					PAGE : 2

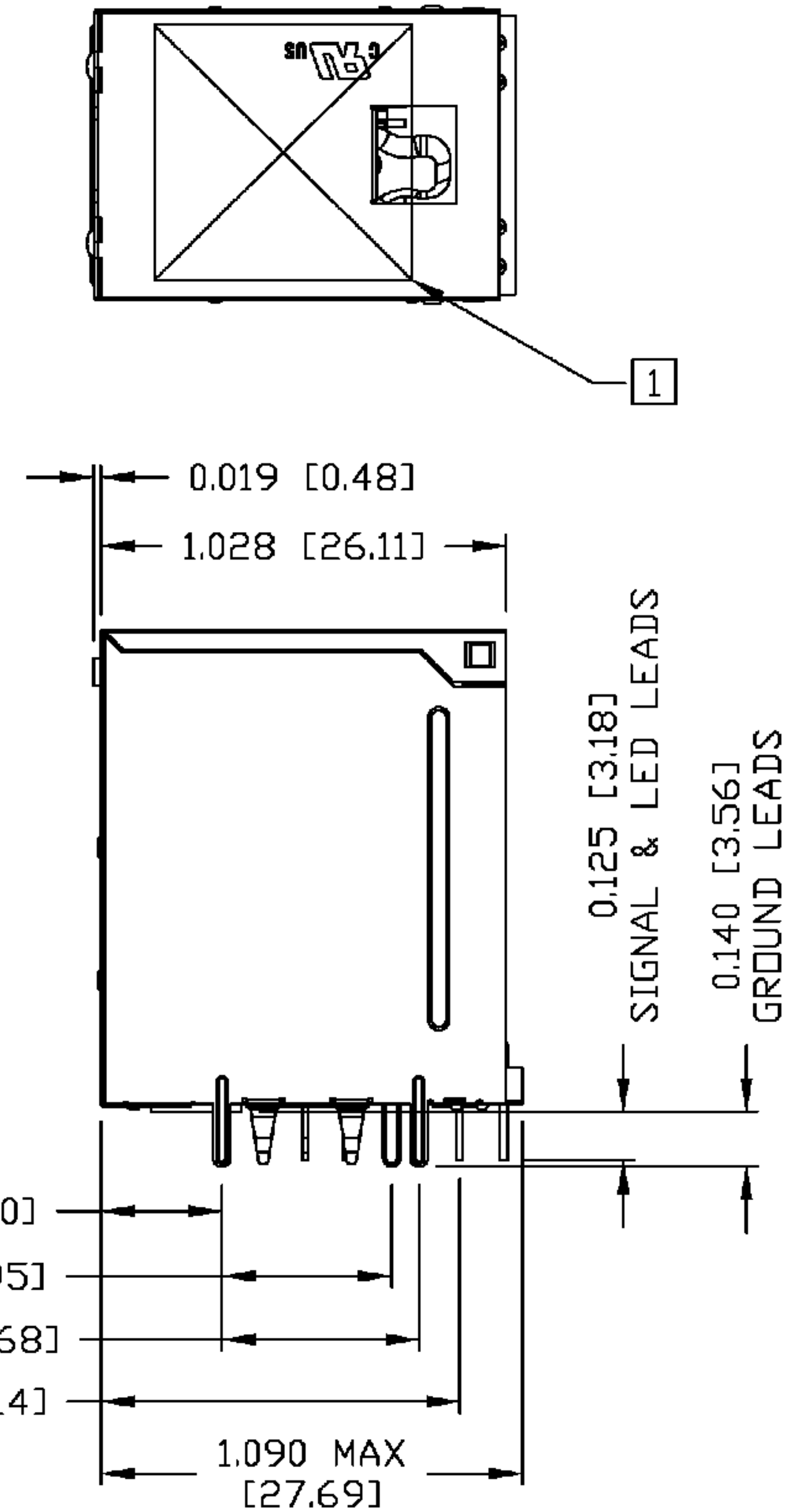
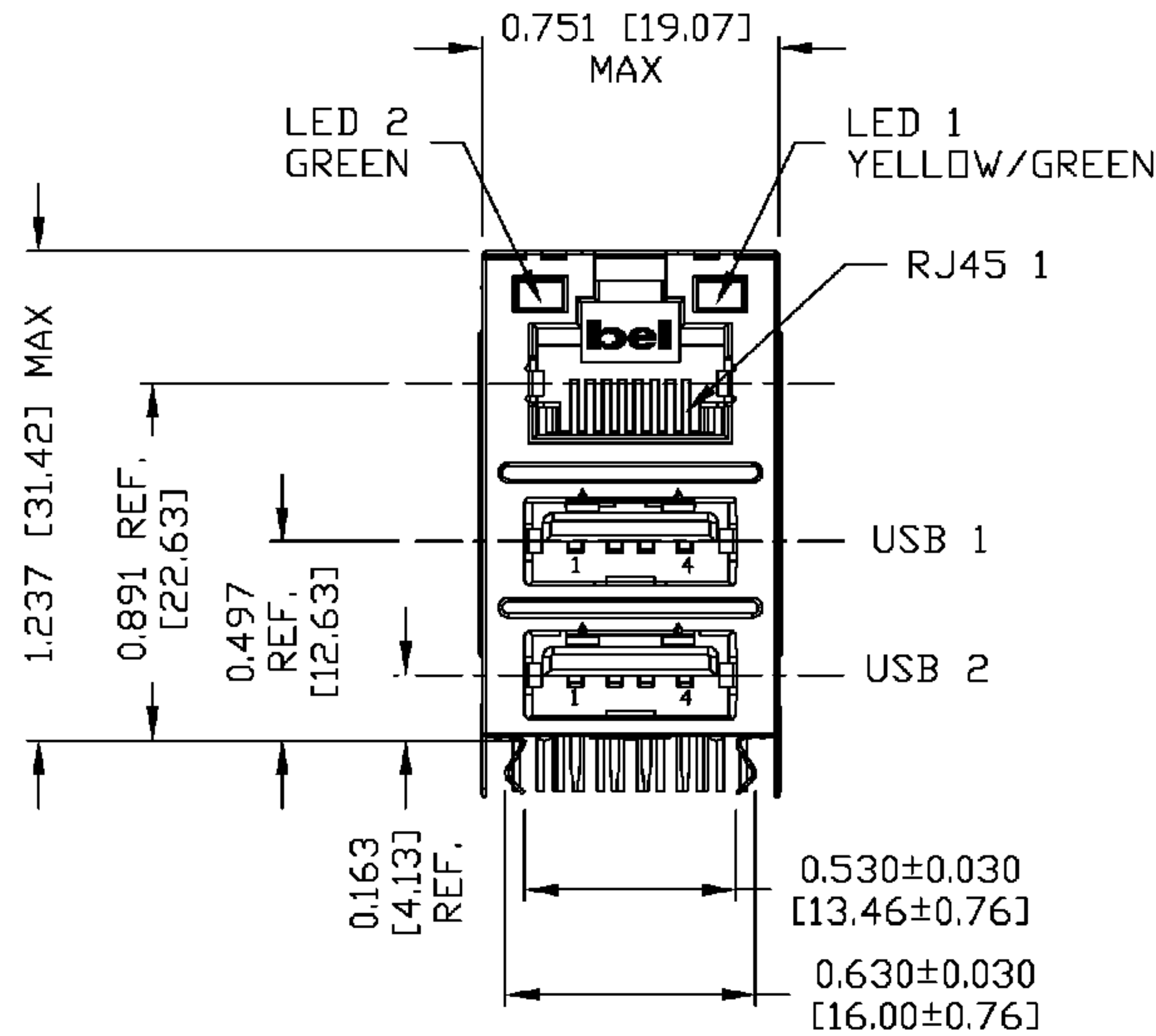


THE INFORMATION CONTAINED HEREIN IS CONSIDERED "PROPRIETARY" TO BEL FUSE INC. AND SHALL NOT BE COPIED, REPRODUCED OR DISCLOSED WITHOUT THE WRITTEN APPROVAL OF BEL FUSE INC.

RoHS
2002/95/EC



MECHANICAL SPECIFICATION



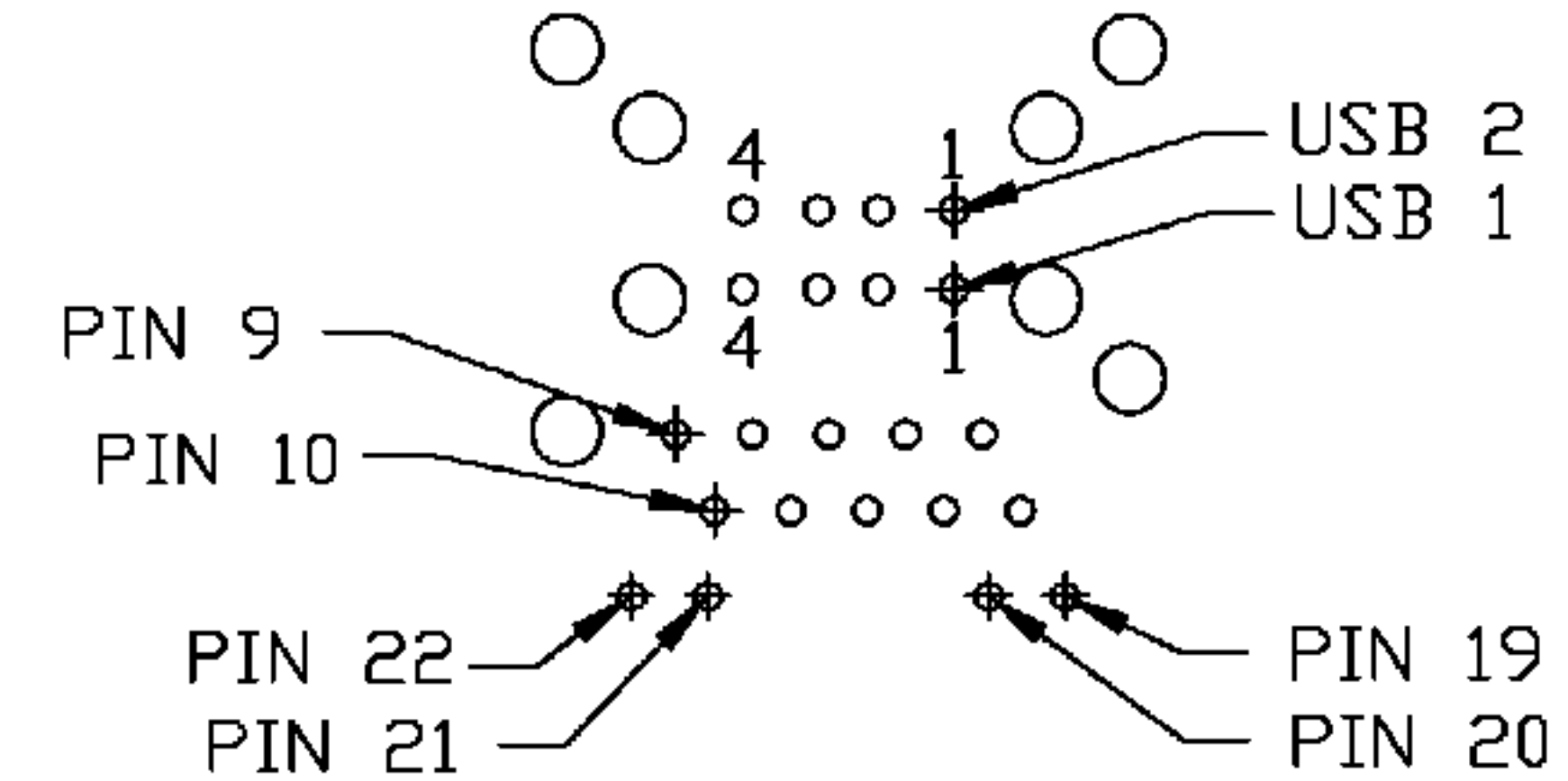
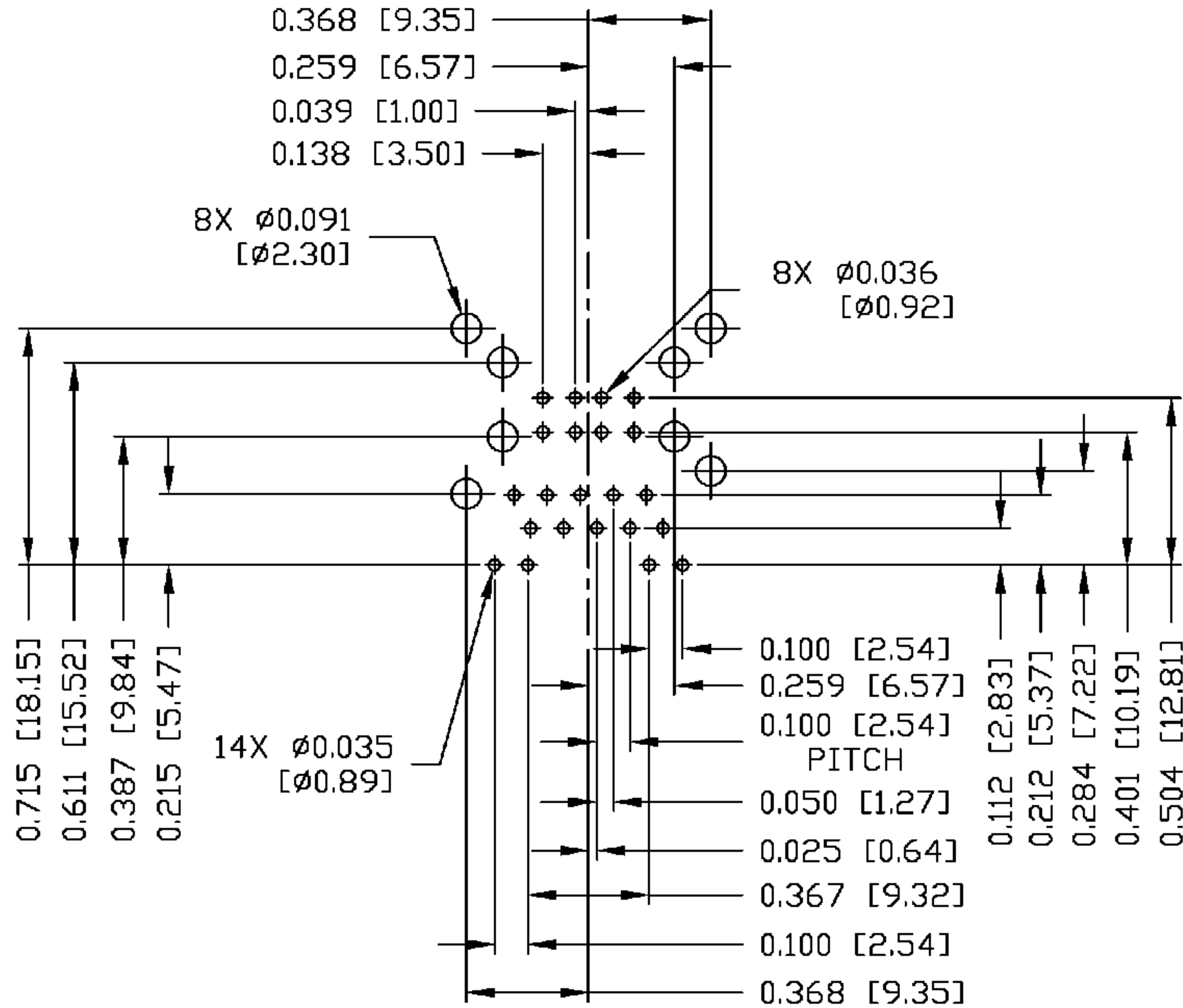
ORIGINATED BY QIN	DATE 04-12-06	TITLE gigabit MagJack® Combo (Staggered pin, 8 cores)	PART NO. / DRAWING NO. C893-1RX1-E3		STANDARD DIM. TOL. IN INCH		[] METRIC DIM. AS REFERENCE		 COMPONENTS FOR A CONNECTED PLANET
	DRAWN BY TING		DATE 04-12-06	FILE NAME C8931RX1E3C.DWG	.X		UNIT : INCH [mm]	REV. : C	
				.XX		SCALE : N/A	SIZE : A4		
				.XXX	±0.010		PAGE : 3		

THE INFORMATION CONTAINED HEREIN IS CONSIDERED "PROPRIETARY" TO BEL FUSE INC. AND SHALL NOT BE COPIED, REPRODUCED OR DISCLOSED WITHOUT THE WRITTEN APPROVAL OF BEL FUSE INC.

RoHS
2002/95/EC



Recommended PCB footprint
Component Side



RJ45 MECHANICAL:

PLASTIC HOUSING: THERMOPLASTIC PBT
FLAMMABILITY RATING UL 94V-0
CONTACTS PLATING: 50 MICRO-INCH HARD GOLD PLATING
PINS: TIN-COATED CP WIRE, DIA 0.018 INCH.
METAL SHIELD: NICKEL PLATED ON COPPER ALLOY.
(ALL GROUND LEADS ARE SOLDER DIPPED)

USB MECHANICAL:

MATING FORCE: 35 NEWTONS MAXIMUM
UNMATING FORCE: 10 NEWTONS MINIMUM
CONTACT: PHOSPHOR BRONZE
30 MICRO-INCH GOLD PLATING ON CONTACT AREA AND TIN ON SOLDER TAIL.

[1] MARK PART WITH MFG LOGO, MFG NAME, PART NUMBER, AND DATE CODE.

UL RECOGNIZED - FILE #E196366 AND E169987.
RoHS COMPLIANCE, PER EU DIRECTIVE 2002/95/EC.
JACK CAVITY CONFORMS TO FCC RULES AND REGULATIONS.

ORIGINATED BY QIN	DATE 04-12-06	TITLE gigabit MagJack® Combo (Staggered pin, 8 cores)	PART NO. / DRAWING NO. C893-1RX1-E3	STANDARD DIM. TOL. IN INCH	[] METRIC DIM. AS REFERENCE	
DRAWN BY TING	DATE 04-12-06		FILE NAME C8931RX1E3C.DWG	.X .XX .XXX	UNIT : INCH [mm] SCALE : N/A	REV. : C SIZE : A4 PAGE : 4

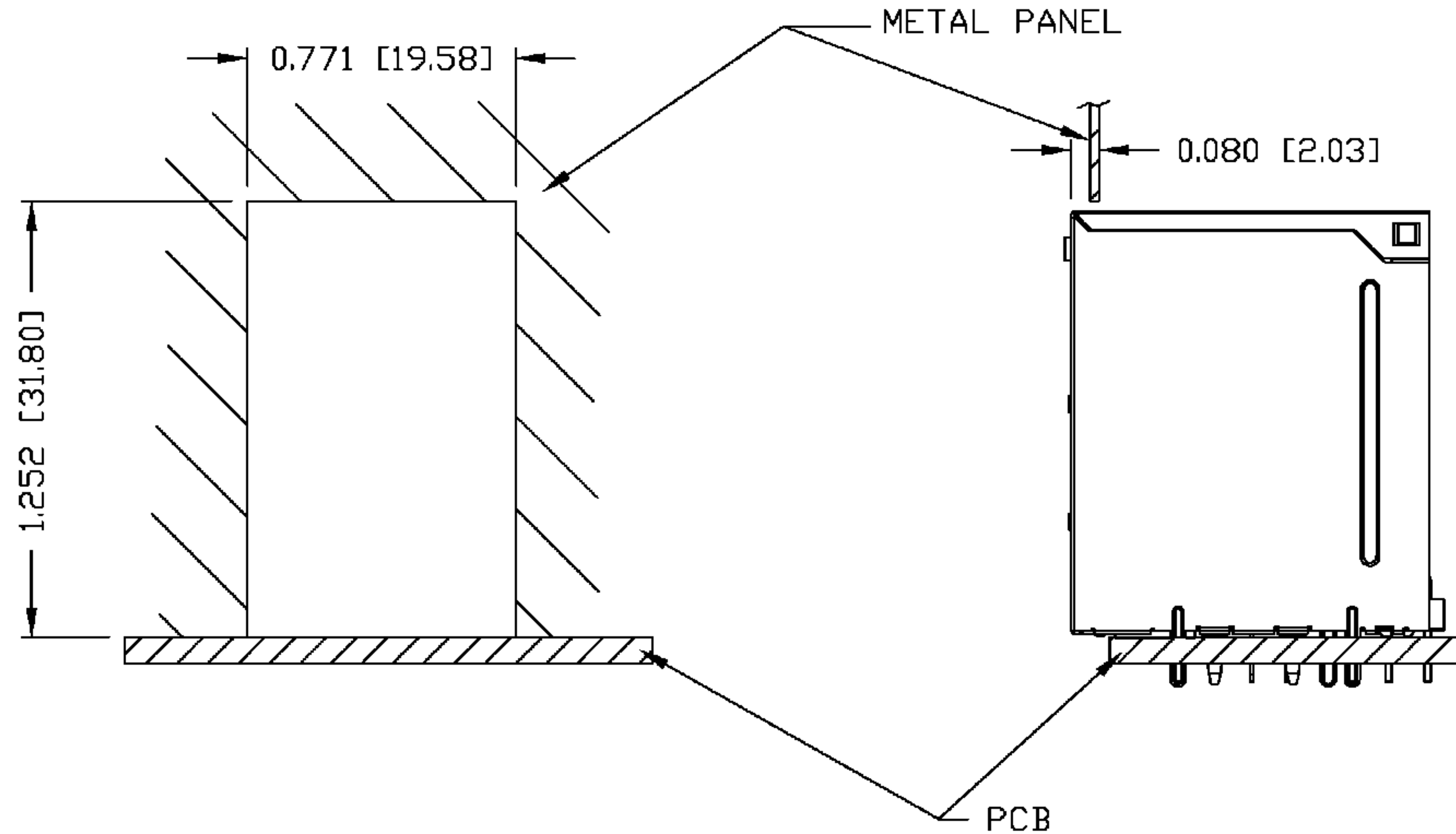


THE INFORMATION CONTAINED HEREIN IS CONSIDERED "PROPRIETARY" TO BEL FUSE INC. AND SHALL NOT BE COPIED, REPRODUCED OR DISCLOSED WITHOUT THE WRITTEN APPROVAL OF BEL FUSE INC.

RoHS
2002/95/EC



SUGGESTED PANEL OPENING



NOTE:

THE DISTANCE OF PANEL INSIDE SURFACE RELATIVE TO FRONT SURFACE OF PART IS ONLY A SUGGESTION. IN CASE THIS DISTANCE IS DIFFERENT, THE REQUIRED PANEL OPENING DIMENSIONS CHANGE ACCORDINGLY.

PACKING INFORMATION

PACKING TRAY : 0200-9999-H3 (TOP)
0200-9999-H4 (BOTTOM)

PACKING QUANTITY : 35 PCS FINISHED GOODS PER TRAY
9 TRAYS (315 PCS FINISHED GOODS) PER CARTON BOX

NOTE : CARDBOARDS ARE PLACED BETWEEN LAYERS OF PACKING TRAY INSIDE CARTON BOX
(INCLUDE THE UPPERMOST AND LOWERMOST TRAY)

ORIGINATED BY	DATE	TITLE	PART NO. / DRAWING NO.	STANDARD DIM. TOL. IN INCH	[] METRIC DIM. AS REFERENCE
QIN	04-12-06	gigabit MagJack® Combo (Staggered pin, 8 cores)	C893-1RX1-E3	.X	UNIT : INCH [mm] REV. : C
DRAWN BY	DATE		FILE NAME	.XX	SCALE : N/A SIZE : A4
TING	04-12-06		C8931RX1E3C.DWG	.XXX ±0.004	SCALE : N/A SIZE : A4 PAGE : 5

