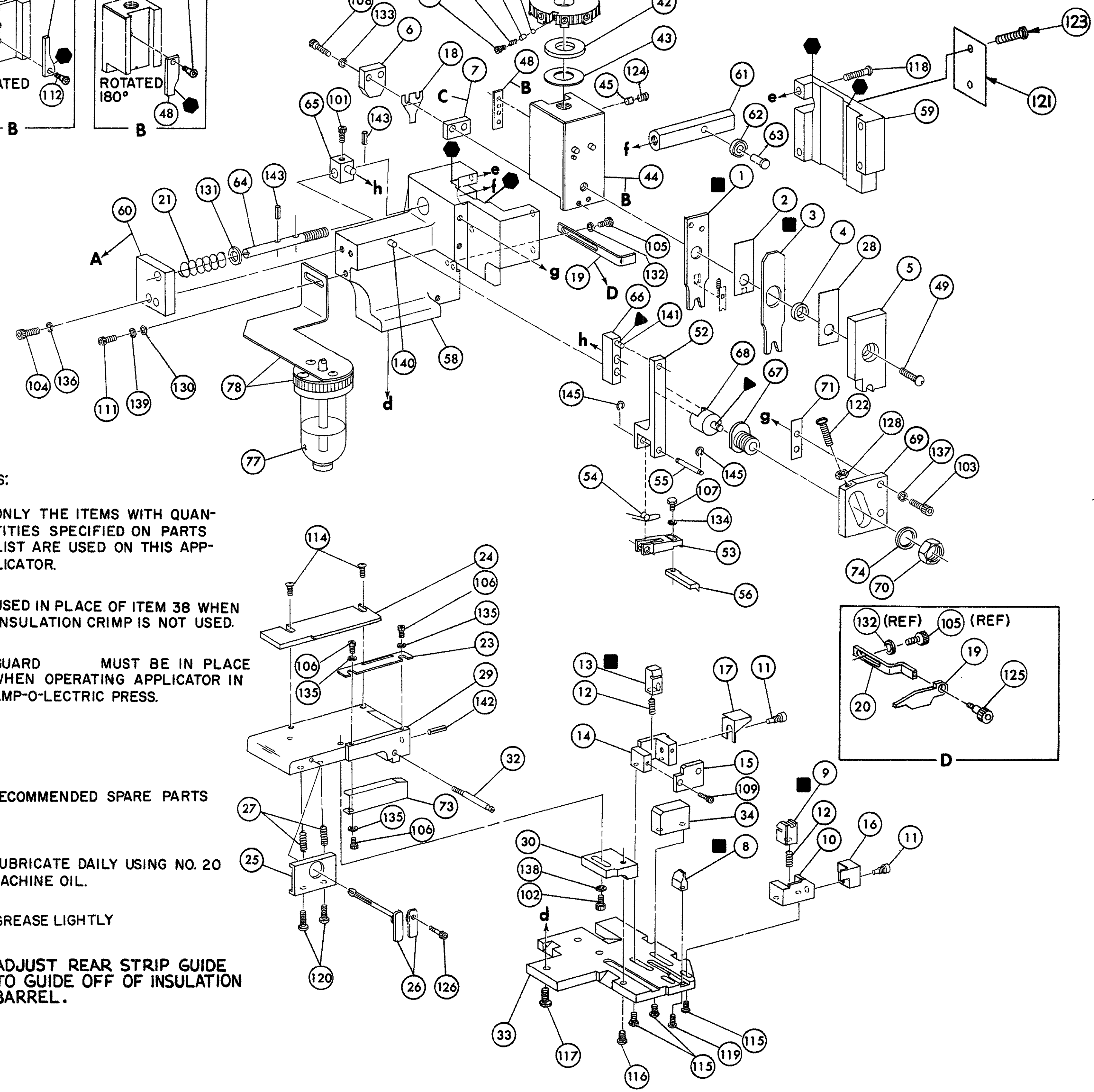
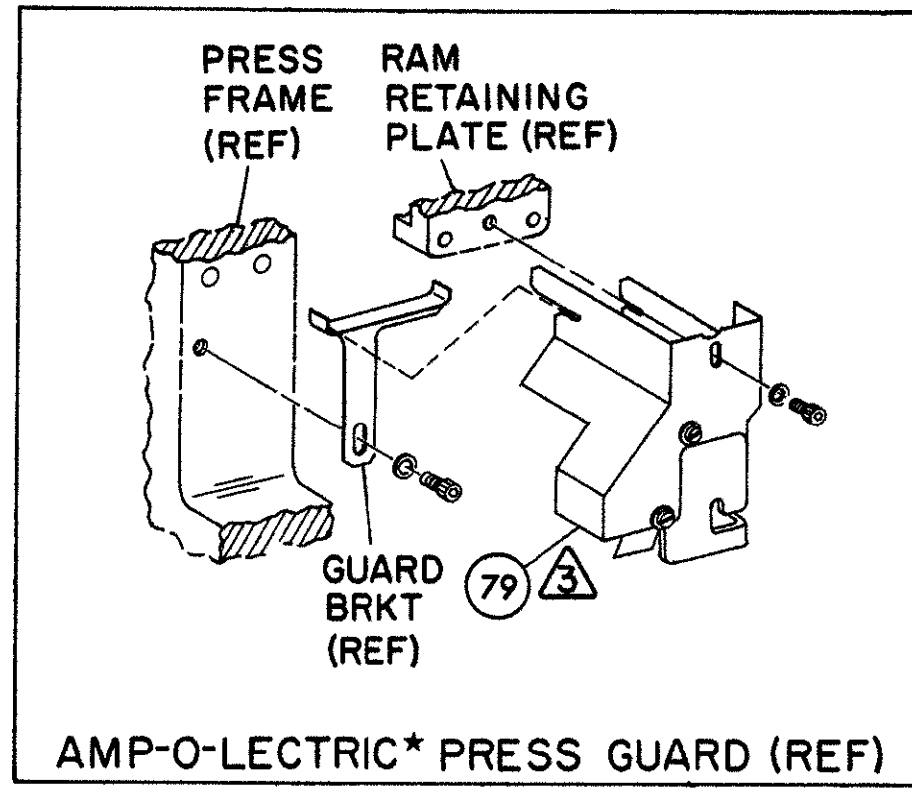
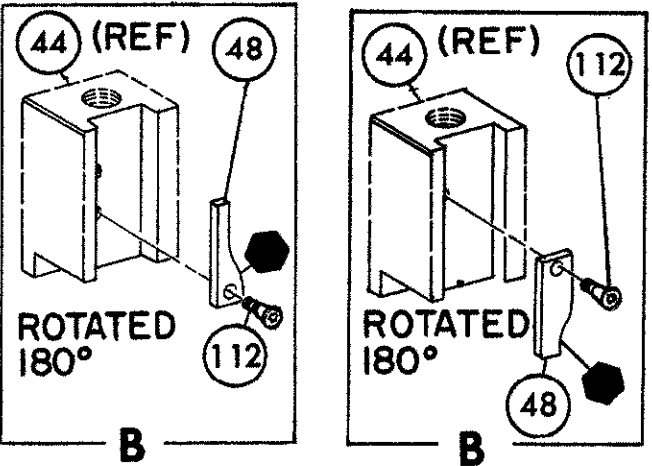


PRE-FEED 1 1/8" STROKE
POST-FEED 1 5/8" STROKE



NOTES:
I.- ONLY THE ITEMS WITH QUANTITIES SPECIFIED ON PARTS LIST ARE USED ON THIS APPLICATOR.
A- USED IN PLACE OF ITEM 38 WHEN INSULATION CRIMP IS NOT USED.
B- GUARD MUST BE IN PLACE WHEN OPERATING APPLICATOR IN AMP-O-LECTRIC PRESS.

KEY:
■ - RECOMMENDED SPARE PARTS
▲ - LUBRICATE DAILY USING NO. 20 MACHINE OIL.
● - GREASE LIGHTLY
⚠ - ADJUST REAR STRIP GUIDE TO GUIDE OFF OF INSULATION BARREL.

REF.	21045-3	RING, RETAINING 'C' (.187 DIA) FEED FINGER PIN	145	REF.	454220-1	CAP, HOUSING	59
REF.	5-21028-1	PIN, SLOT SPR (.125 DIA X .50) ADJ ROD	144	REF.	454485-1	HOUSING	58
1	4-21028-0	PIN, SLOT SPR (.093 DIA X .75) STR G PLATE	143	1	690542-2	PAWL, FEED	57
REF.	1-21030-1	PIN, DOWEL (.187 DIA X .50) LEVER	141	REF.	240624-1	PIN, FEED FINGER	56
REF.	1-21030-6	PIN, DOWEL (.187 DIA X 1.25) HOUSING	140	REF.	691499-1	SPRING, FEED FINGER	55
1	21024-5	WASHER, LOCK (NO 10) LUB ASSY	139	REF.	690541-1	FINGER, FEED	54
1	21024-5	WASHER, LOCK (NO 10) STRIP GUIDE ADJ BLOCK	138	REF.	455679-1	LEVER, TERMINAL FEED ARM	53
REF.	21024-5	WASHER, LOCK (NO 10) ADJ PLATE	137	1	811242-2	BUMPER, HOLDDOWN	52
REF.	21024-5	WASHER, LOCK (NO 10) FEED GUIDE ROD	136	1	690753-1	SPACER, TONKER	51
2	21024-2	WASHER, LOCK (NO 4) FRONT STRIP GUIDE	135	1	7-21002-9	BOLT, CRIMPER	50
1	21024-4	WASHER, LOCK (NO 8) FEED FINGER	134	1	690602-5	CAM PRE FEED 1/8 STROKE	49
2	21024-4	WASHER, LOCK (NO 8) DEPRESSOR	133				48
1	21024-4	WASHER, LOCK (NO 8) STRIPPER	132	1	459456-1	APPLICATOR, BASIC (SUB ASSY)	47
REF.	21899-4	WASHER, FLAT (5/16 DIA) SCREW ADJ	131	1	690191-1	PLUG, NYLON	46
1	21899-2	WASHER, FLAT (NO 10) LUB ASSY	130	1	455673-1	RAM	45
1	21018-5	NUT, HEX MACH (6-32) HOLDDOWN	129	1	690125-1	WASHER, LAMINATED	44
REF.	21018-5	NUT, HEX MACH (6-32) FEED ADJ	128	1	690124-1	WASHER, RAM	43
			127			DISC, SPACER	42
			126	2	23241-6	BALL, STEEL	41
1	456567-1	SCR, SHLD (.188 DIA X .125 LG) STRIPPER	125	2	690170-1	SPRING, COMPRESSION	40
1	21009-2	SCR, SKT SET (1/4-20 X .25) (LOC-WEL) RAM	124	1	690142-1	DISC, INSULATION	39
2	21017-2	SCR, DRIVE # 2 X .19	123	1	5-690692-6	DISC, WIRE	38
REF.	6-23715-5	SCR, RD HD MACH (6-32 X 1.50) FEED ADJ	122	1	22480-5	WASHER, SPRING	37
1	461264-1	PLATE, IDENTIFICATION	121	1	690212-1	POST, RAM	36
2	2-21002-9	SCR, BUT HD SKT CAP (10-32 X .75) DRAG	120	1	692776-1	SUPPORT, TERMINAL	35
1	22733-8	SCR, BUT HD SKT CAP (8-32 X .38) (LOC-WEL) ANVIL	119	REF.	455675-1	PLATE, BASE	34
REF.	2-21002-9	SCR, BUT HD SKT CAP (10-32 X .75) CAP	118	1	690432-3	SCREW, ADJUSTMENT	33
REF.	17177-1	SCR, BUT HD SKT CAP (1/4-20 X .75) HOUSING	117				32
REF.	2-21002-7	SCR, BUT HD SKT CAP (10-32 X .50) SG ADJ BLOCK	116	REF.	455689-1	BLOCK, STRIP GUIDE ADJ	31
4	2-21002-2	SCR, BUT HD SKT CAP (8-32 X .50) SHEAR	115	1	455671-1	PLATE, STRIP GUIDE	30
2	2-21002-2	SCR, BUT HD SKT CAP (8-32 X .50) R STRIP GUIDE	114	1	1-455888-0	SPACER, FRONT SHEAR DEPRESSOR	29
			113	2	1-22284-0	SPRING, DRAG	28
1	1-21002-7	SCR, BUT HD SKT CAP (6-32 X .38) CAM	112	1	690546-1	LEVER, DRAG RELEASE	27
1	3-21000-4	SCR, SKT HD CAP (10-32 X .38) LUBRICATOR ASSY	111	1	240792-1	DRAG, STOCK	26
2	23030-1	SCR, SKT HD CAP (6-32 X .25) (LOC-WEL) CP DISC	110	1	7-690504-1	GUIDE STRIP (REAR)	25
			109	1	690438-1	GUIDE, STRIP (FRONT)	24
2	2-21000-7	SCR, SKT HD CAP (8-32 X .50) DEPRESSOR	108				23
1	2-22603-0	SCR, HEX HD MACH (8-32 X .31) FEED FINGER	107	REF.	4-22284-9	SPRING, FEED RETURN	22
2	1-21000-3	SCR, SKT HD CAP (4-40 X .25) F STRIP GUIDE	106	1	458950-1	ARM, STRIPPER	21
1	2-21000-7	SCR, SKT HD CAP (8-32 X .50) STRIPPER	105	1	458949-1	STRIPPER	20
REF.	3-21000-7	SCR, SKT HD CAP (10-32 X .75) FEED ROD GUIDE	104				19
REF.	3-21000-6	SCR, SKT HD CAP (10-32 X .62) FEED ADJ BLOCK	103				18
1	3-21000-4	SCR, SKT HD CAP (10-32 X .38) SG ADJ BLOCK	102	1	691667-1	HOLDER, TERMINAL	17
REF.	3-21000-4	SCR, SKT HD CAP (10-32 X .38) PIVOT BLOCK	101				16
REF.	455749-1	GUARD (WINDOW)	79				15
1	1-465184-0	LUBRICATOR ASSY	78				14
REF.	852931-2	OIL, LUBRICATING	77				13
			76	1	5-22280-0	SPRING, SHEAR	12
			75	1	690461-1	STOP, SHEAR	11
REF.	458109-1	WASHER, SPECIAL	74	1	690459-1	HOLDER, SHEAR (FRONT)	10
			73	1	462006-1	SHEAR, FLOAT (FRONT)	9
2	454877-3	PLATE, STRIP GUIDE COVER	72	1	3-803653-4	ANVIL	8
REF.	690603-1	SPRING, ASSIST	71	1	3-240641-3	SPACER, DEPRESSOR (REAR)	7
REF.	690517-1	SPACER	70				6
22594-8	NUT, HEX	70	1	455889-9	DEPRESSOR, SHEAR (FRONT)	5	
240628-1	PLATE, ADJUSTMENT	69	1	1-238011-0	SPACER, TUBULAR, INS CRIMPER	4	
240626-1	SHAFT, PIVOT	68	1	1-683453-2	CRIMPER, INSULATION	3	
240633-1	BUSHING	67	1	455888-8	SPACER, CRIMPER	2	
455680-1	LEVER, INTERMEDIATE	66	1	1-456402-7	CRIMPER, WIRE	1	
240629-1	BLOCK, PIVOT	65					
240632-2	SCREW, ADJUSTMENT FEED ROD	64					
240659-3	PIN, CAM ROLLER	63					
240658-1	ROLLER, CAM	62					
454398-2	ROD, FEED	61					
REF.	454178-1	GUIDE, FEED ROD	60				

QTY	PART NO	DESCRIPTION	ITEM NO	CRIMPING DATA				APPLICATOR WILL APPLY	
				PAD LTR	CRIMP HEIGHT	WIRE SIZE	WIRE LENGTH	PIN	SOCKET
	A	.030	22			745266	745269		
	B	.027	24 OR 26						
	C	NOT USED							
	D	NOT USED							

REMARKS	NO	REV
APPL USED ON MACHINE PART NO	MACH SERIAL NO	DISTRIBUTION
CUSTOMER NAME	APPL SERIAL NO	ORIGINAL
ADDRESS	PURCHASE ORDER	CUSTOMER COPY
CITY	ENG APP	FIELD ENG COPY

TO APPLY TERMINAL SPEC 114-90003

WIRE RANGE 26-22 INSULATION RANGE .060 MAX. PRESS NO 565435-5

AMP-O-LECTRIC PRE FEED

SET UP PAGE 10-1 458637-1 1260

DI ECN 0150-1237-04 11/18 9-24

ECN 0150-9757-99 11/18 12-29

0150-2163-97 05/18 2-27

ECN A-330891 11/18 8-91

ECN A-272295 11/18 12-11

AMP INCORPORATED Harrisburg, Pa.

LOC A D NO 567179-2 REV D

NAME MINIATURE QUICK CHANGE APPLICATOR

SIDE FEED ()

DATE 06779 CUSTOMER AND ASSEMBLY DRAWING

THIS DRAWING IS A CONTROLLED DOCUMENT.

THIS DRAWING IS UNAPPROVED. RELEASE FOR PUBLICATION FROM JULY, 1998. BY AMP INCORPORATED. ALL RIGHTS RESERVED. © Copyright 1998