



MICRO SWITCH

FREEPORT, ILLINOIS, U.S.A.
A DIVISION OF HONEYWELL

FED. MFG. CODE 91929

SWITCH - BASIC

CATALOG LISTING

V3-32

CK-A3200

V3-32

M

DRAWING NUMBER

ISSUE

12

VISIONS

CO20189

OMW MAY 65

CO21688

M B F OCT 66

CO31509

R E R JAN 73

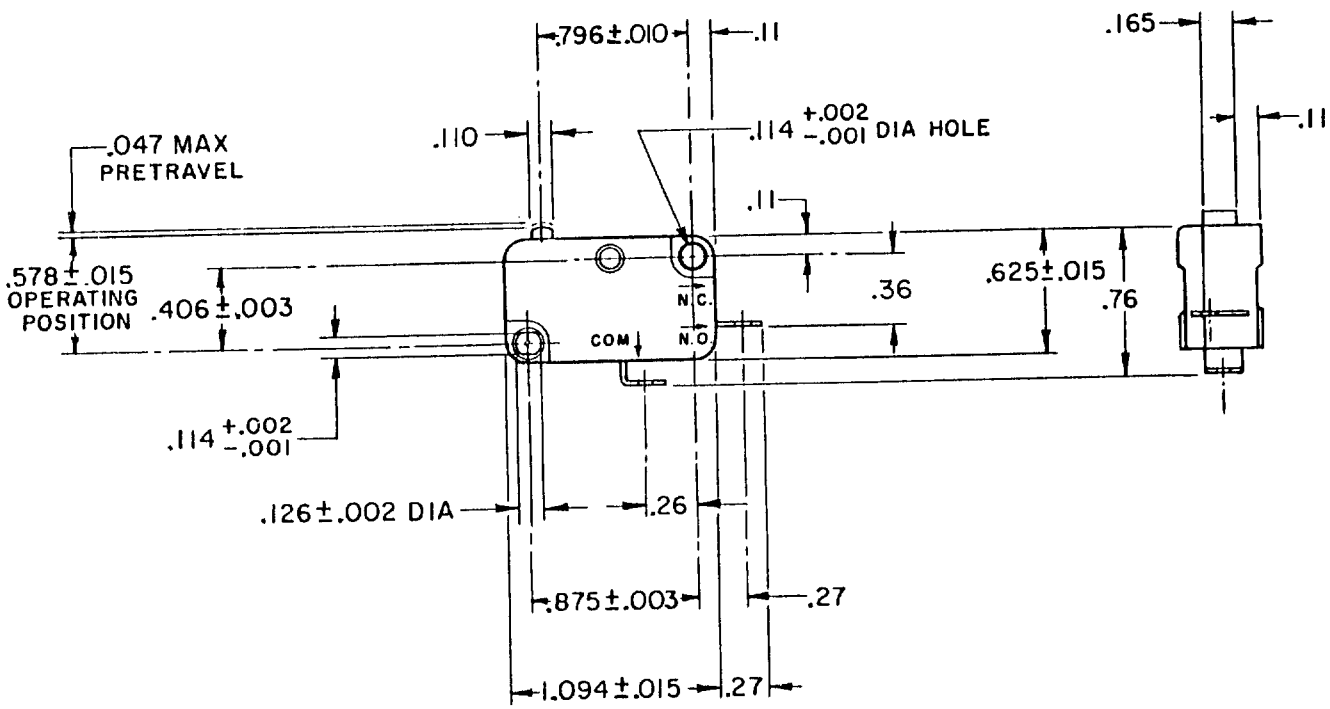
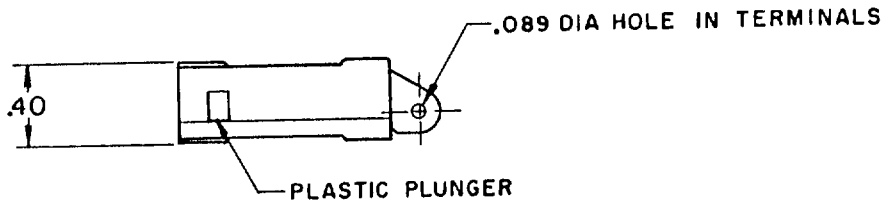
CO 36987

SMA OCT 85

CO74635

K D R MAY 93

REPLACES
RELEASE NO.
CHECK
DLH 27 MAY 65
CHECK
LSD 27 MAY 65
CHECK
OMW 21 MAY 65



NOTE -
1 - TERMINALS ARE PLATED FOR SOLDERING

THIS DRAWING COVERS A PROPRIETARY ITEM AND IS THE PROPERTY OF MICRO SWITCH, A DIVISION OF HONEYWELL. THIS DRAWING IS NOT TO BE COPIED OR USED WITHOUT THE APPROVAL OF MICRO SWITCH.

CHARACTERISTICS	ELECTRICAL DATA	SCALE FULL
OPERATING FORCE ----- 6-14 OZ	CONTACT ARRANGEMENT S P N O	DO NOT SCALE PRINT
RELEASE TRAVEL ----- .007 MIN	L83 15.1A 1/2HP 125 OR 250 VAC 1/2A 125 VDC, 1/4A 250 VDC 5A 125 VAC "L" 	UNLESS OTHERWISE NOTED
RELEASE FORCE ----- 4 OZ MIN		DIMENSIONS ARE IN INCHES
DIFFERENTIAL TRAVEL ----- .006-.016		TOLERANCES ARE:
OVERTRAVEL ----- .040 MIN		ONE PLACE (.0) ± .030
FREE POSITION ----- .625 MAX		TWO PLACE (.00) ± .015
		THREE PLACE (.000) ± .005
		ANGLES ±
		WEIGHT .016 LB