

5

4

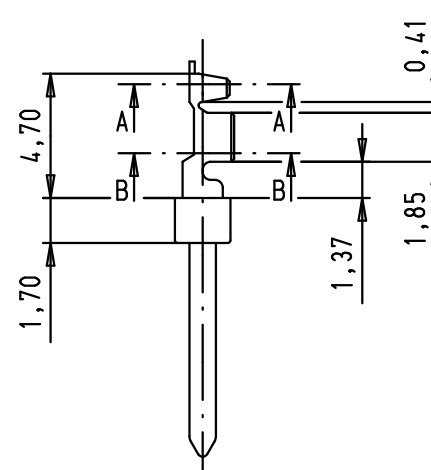
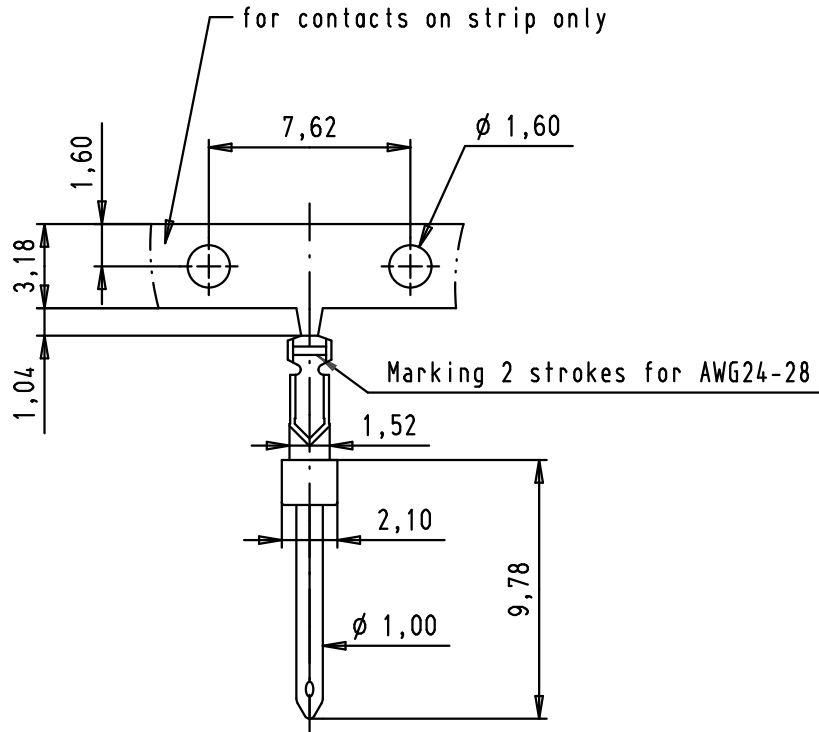
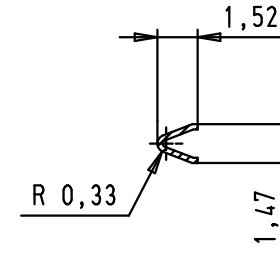
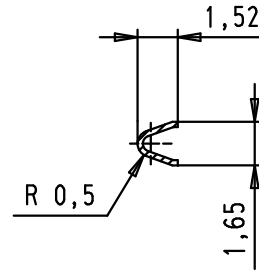
3

2

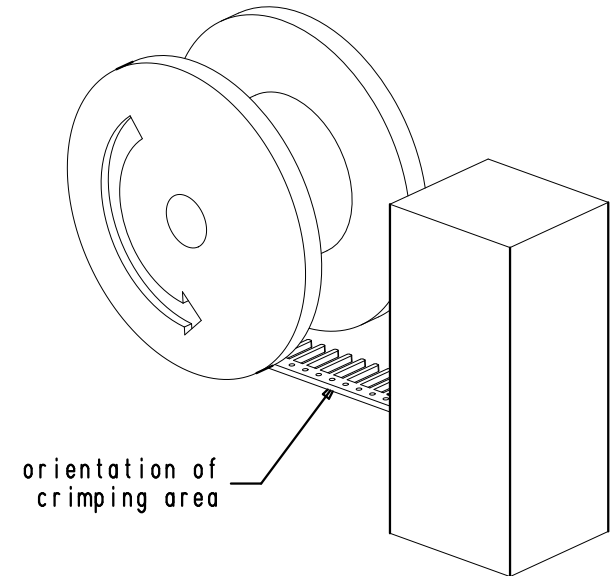
1

Section A-A

Section B-B

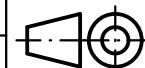


Reel unrolling left



Base material: brass
 Plating: sliding contact selective gold plated over nickel
 nickel plated crimp area
 Number of contacts per reel: 10000

			Dat.		Name	
			Detail.	24/03/03	PP	
36288			Insp.	13/01/12	JB	
33986			Stand.			
33242				17/10/05	JMDR	
31475				24/03/03	PP	
Mod.			Dat.		Name	
			HARTING EURL		F-95972 Paris	



All Dim. in mm
 Orig. Size DIN A 4

D-Sub, stamped male
 AWG 24-28 crimp contact,
 reel unrolling left

Maßstab/
 Scale

3,5:1



TB 09 67 000 715X

Blatt/ Page

1 / 1

Sub.

09 67 000 7158	PL2
09 67 000 7157	PL3
09 67 000 7156	PL1
Part number	Performance level

D

C

B

A