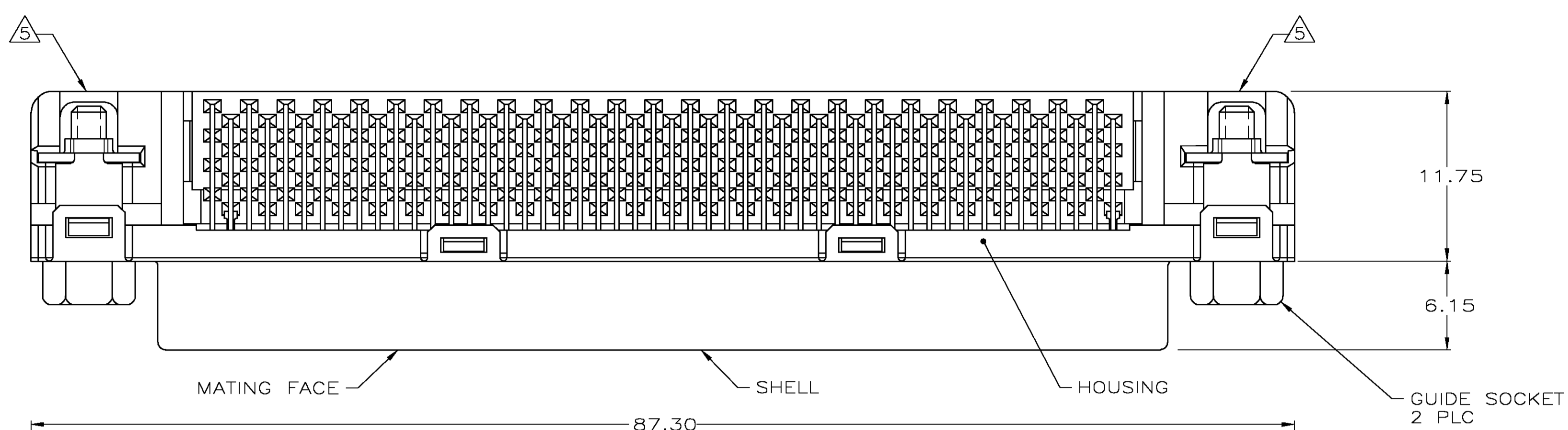
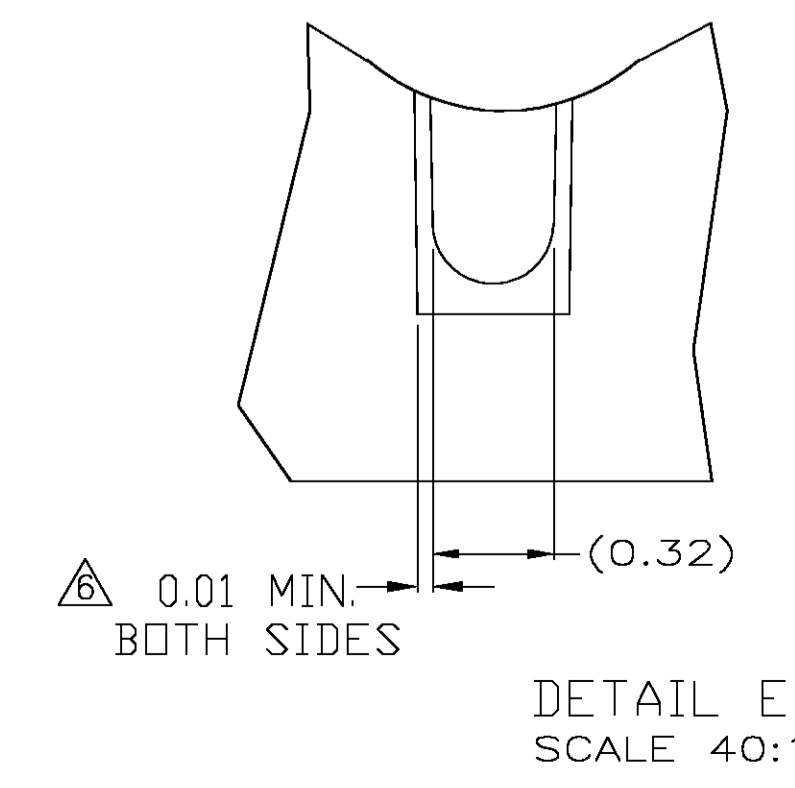
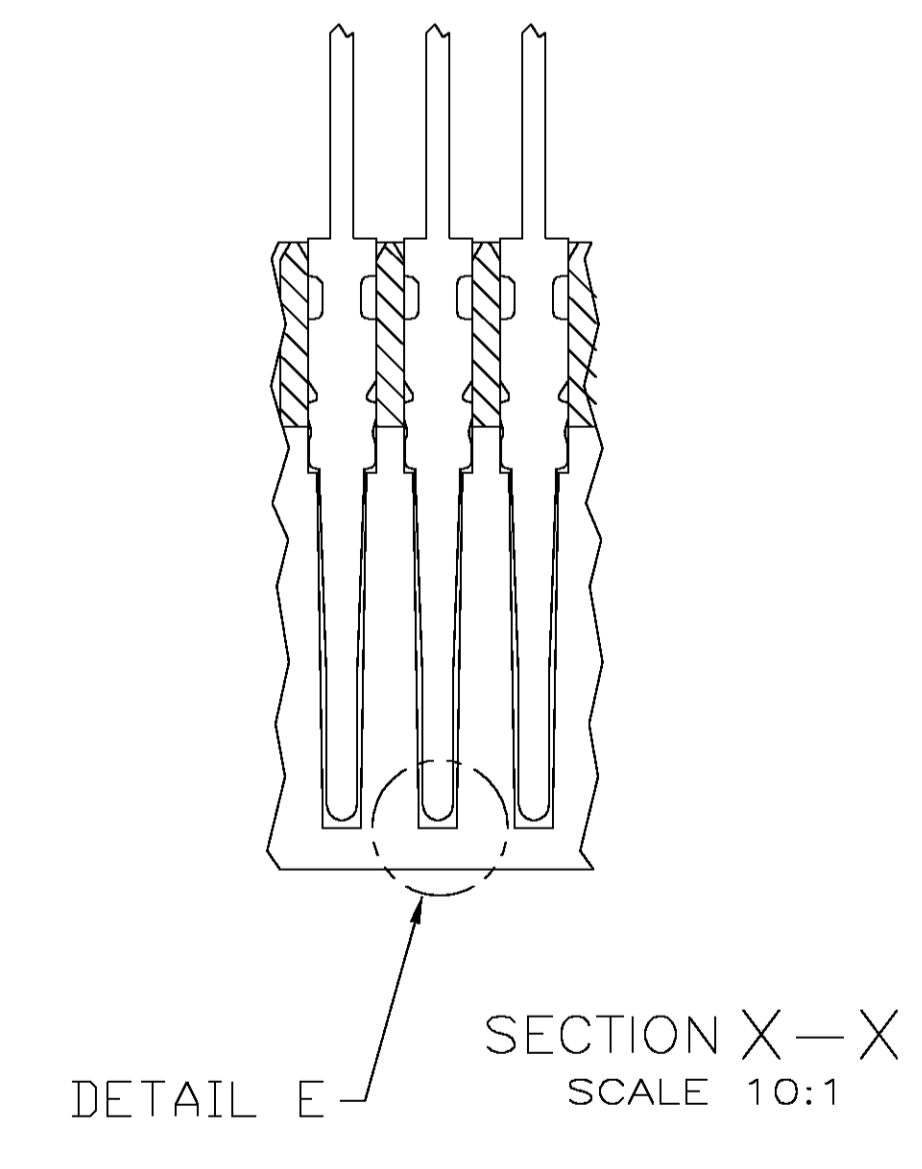
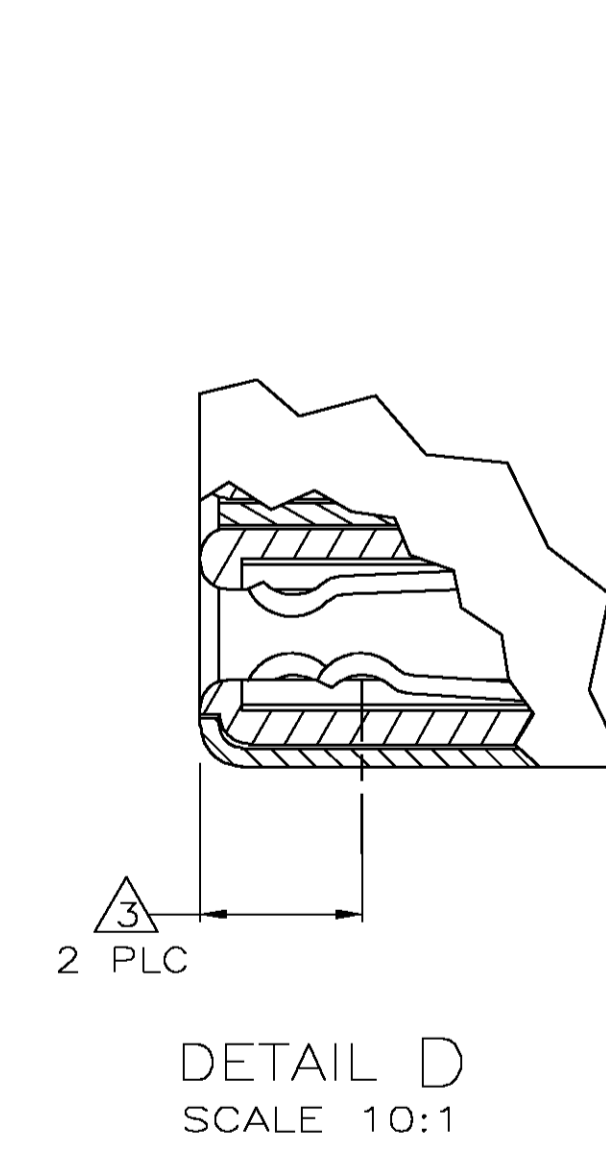
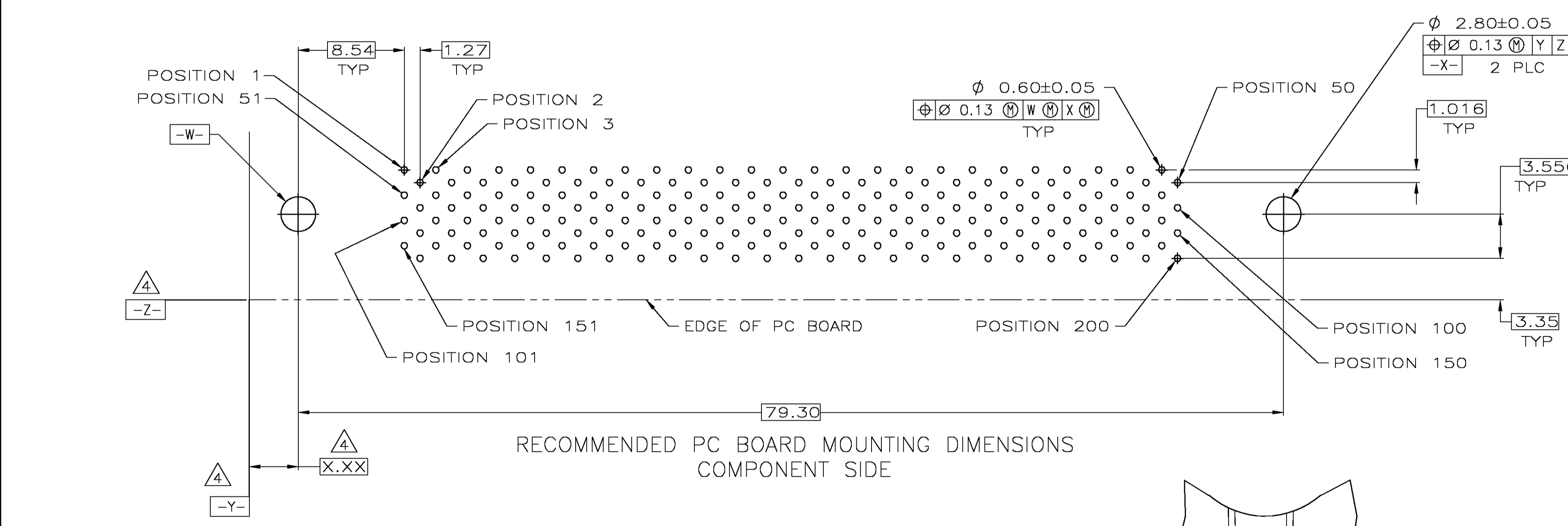
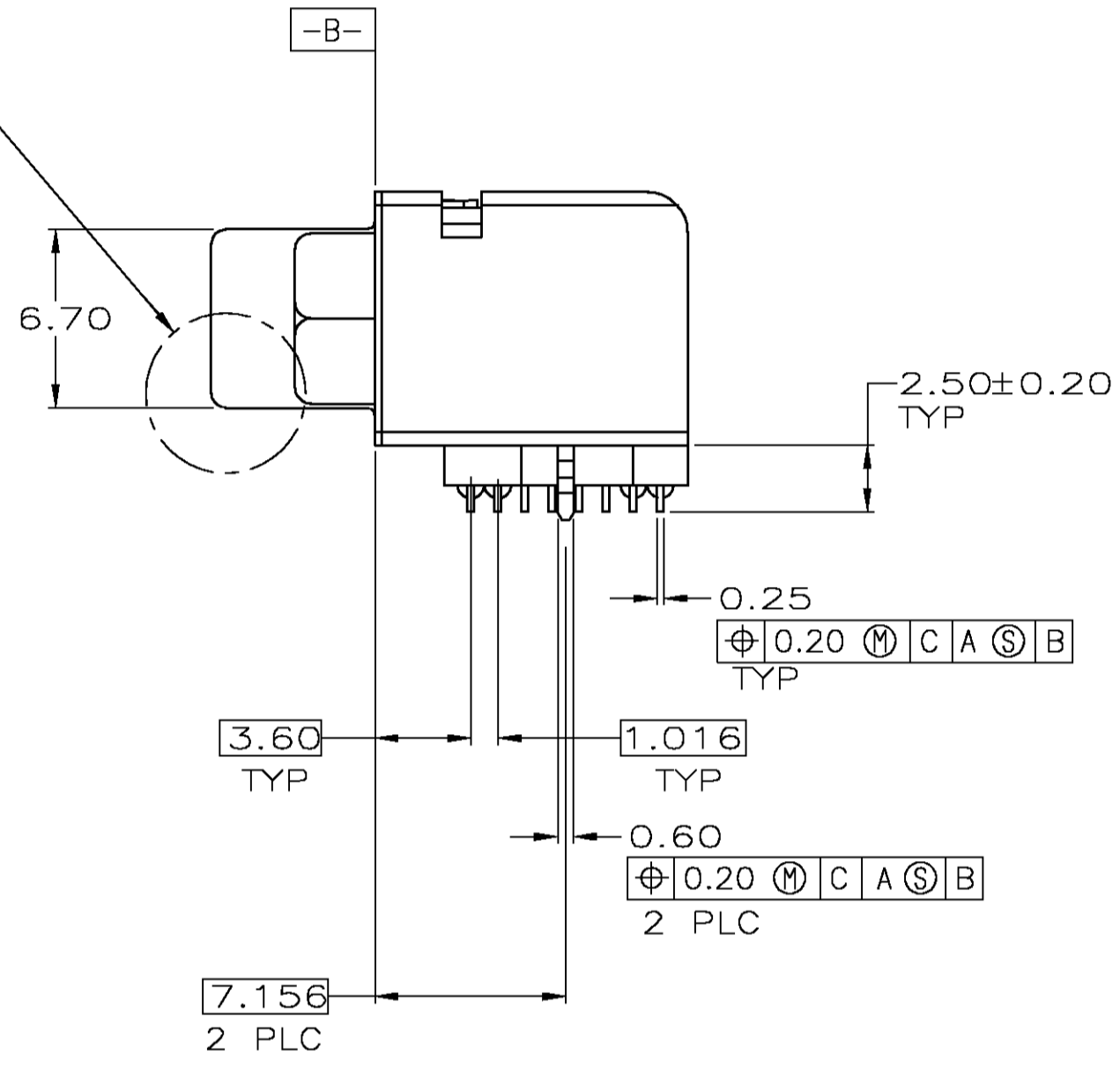
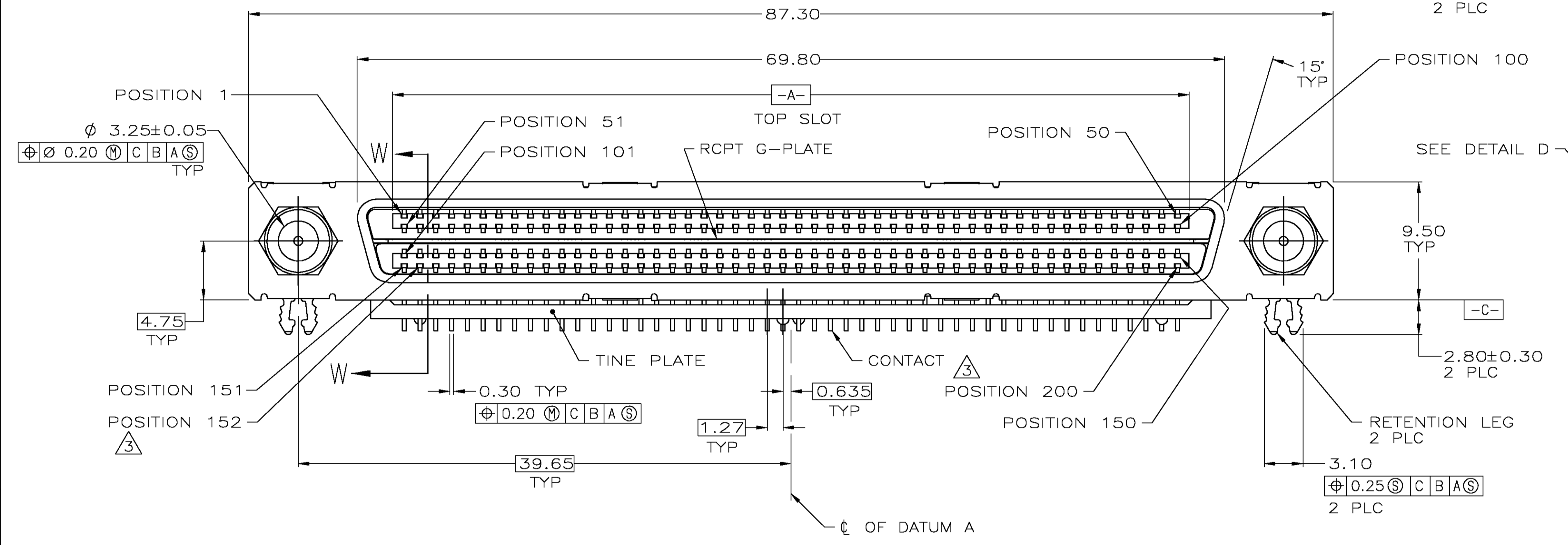


LOC		DIST		REVISIONS				
P	LR	DATE	DMN	APVD	DESCRIPTION			
0		12-07-04	AF	JG	RELEASED PER EC 0513-0440-04			



- △ HOUSING AND TINE PLATE: POLYESTER, NATURAL.
 CONTACTS: PHOSPHOR BRONZE.
 SHELL: CARBON STEEL.
 RCPT G-PLATE: STAINLESS STEEL.
 GUIDE SOCKET AND RETENTION LEG: BRASS.
- △ CONTACTS: 0.76μm MIN GOLD FOR A LENGTH OF 1.10 MIN FROM MATING END,
 2.54 MIN TIN FOR A LENGTH OF 2.80 MIN FROM OPPOSITE END,
 BOTH OVER 1.27μm MIN NICKEL.
 SHELL: 3.00μm MIN NICKEL OVER 1.30μm MIN COPPER.
 RETENTION LEG: 2.00μm MIN TIN OVER 1.00μm MIN NICKEL.
 GUIDE SOCKET: NICKEL OVER COPPER.
- △ CONTACTS 152 AND 200, ARE SEQUENCED AWAY FROM MATING FACE.
- △ DATUMS AND BASIC DIMENSIONS ESTABLISHED BY CUSTOMER.
- △ DATE CODE MAY BE MARKED ON EITHER END.
- △ PROPOSED DIMENSION. MAY CHANGE PENDING CAPABILITY STUDY VERIFICATION.



**COPYRIGHT 2005
 TYCO ELECTRONICS CORP
 ALL RIGHTS RESERVED**

6658203-1
 PART NUMBER

THIS DRAWING IS A CONTROLLED DOCUMENT.		DIN A. FERNANDEZ 12-07-04		Tyco Electronics Corporation	
DIMENSIONS: MM		C. ROHDE 12-07-04		Harrisburg, PA 17105-3608	
TOLERANCES UNLESS OTHERWISE SPECIFIED:		APVD M. WALMSLEY 12-07-04		NAME RECEPTACLE ASSEMBLY, 200 POSITION, RIGHT ANGLE, .050, CHAMP	
0 PLC ± .2		PRODUCT SPEC		SIZE A1	
1 PLC ± .25		APPLICATION SPEC		CAGE CODE 00779	
2 PLC ± .25		WEIGHT		DRAWING NO. 6658203	
3 PLC ± .25		CUSTOMER DRAWING		SCALE 4:1	
4 PLC ± .25		SHEET 1 OF 1		REV 0	
ANGLES ± .5°		SHEET 1 OF 1		REV 0	