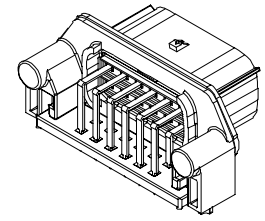
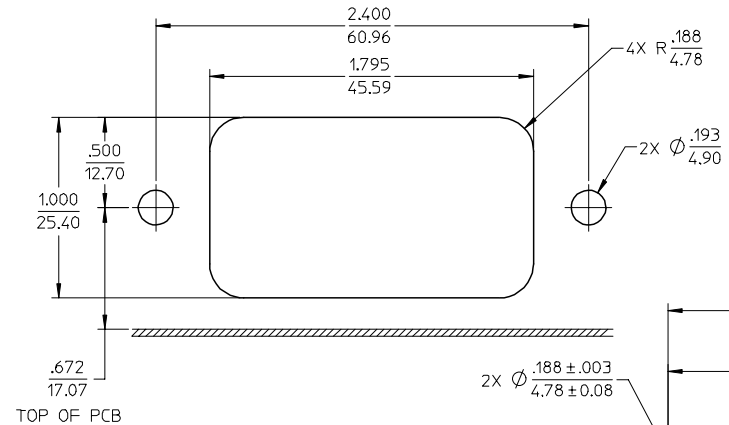


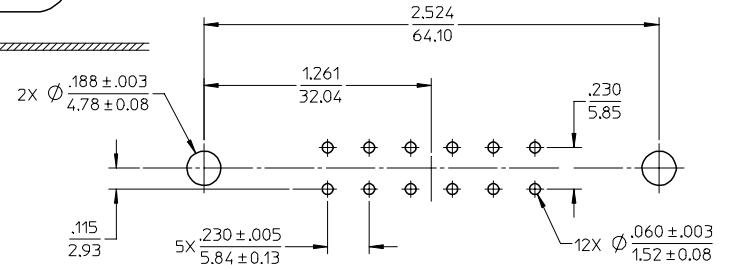
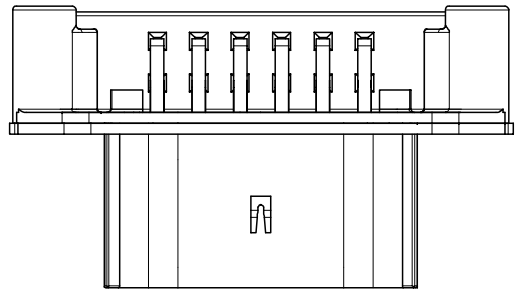
13 12 11 10 9 8 7 6 5 4 3 2 1

J  
I  
H  
G  
F  
E  
D  
C  
B  
A

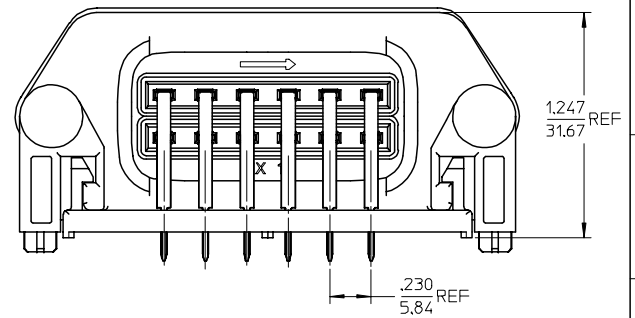
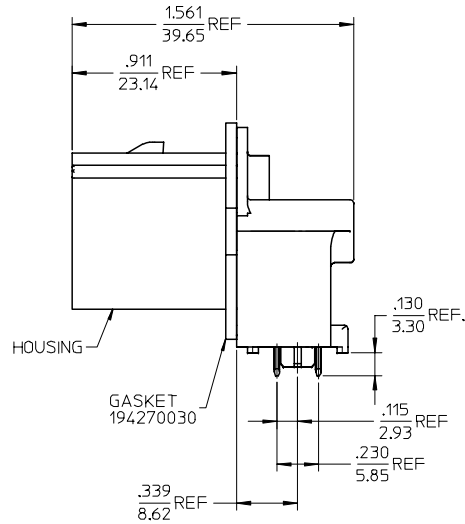
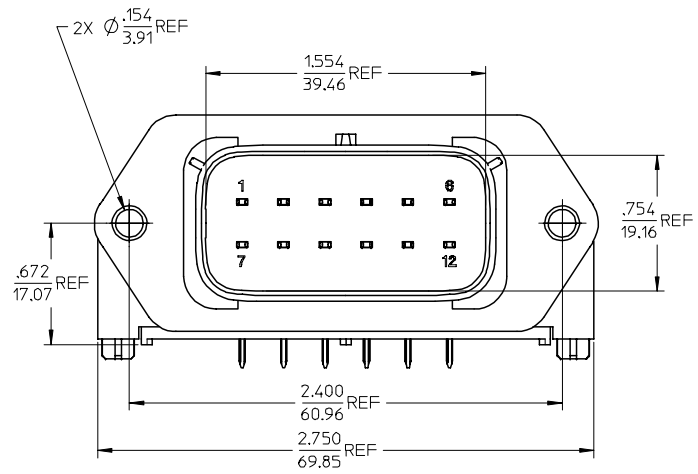
RECOMMENDED PANEL MOUNT OPENING  
MAX PANEL THK .080/2.03



ASSEMBLED VIEW  
1:1 SCALE



RECOMMENDED PCB LAYOUT  
COMPONENTS SIDE  
TOLERANCES ARE NON-ACCUMULATIVE



NOTES:

- MATERIALS:  
HOUSING: POLYESTER (PBT), GLASS FILLED, UL94 V-0, COLOR: BLACK  
TERMINALS: COPPER ALLOY
- FINISHES: 1. TIN ONLY: 100µN TIN OVER 50µN NICKEL  
2. TIN/GOLD: 30µN SELECT GOLD (CONTACT MATING AREA), 100µN SELECT TIN (PCB TAIL AREA) OVER 50µN NICKEL OVERALL.
- PRODUCT SPECIFICATION: PS-19427-001.
- PACKAGING SPECIFICATION: PK-19427-001.
- MATES WITH: 19418 SERIES RECEPTACLE ASSEMBLIES.
- RECOMMENDED MOUNTING HARDWARE: (2) #10 X .62/18.9 LONG PLASTIC THREAD CUTTING SCREWS. RECOMMENDED TORQUE 15-17 IN-LBS. SUGGESTED SOURCE: ITW SHAKEPROOF INDUSTRIAL BOSSCREW OR EQUIVALENT.

MATERIAL NO.	TERMINAL PLATING
194270012	TIN
194270103	TIN/GOLD

REVISED	DESCRIPTION
EC NO: ETC2006-0028	
DRWN: JPAWLCK 2005/10/10	
CHKD: JPAWLCK 2005/10/11	
APPR: RDEROSS 2005/10/11	

QUALITY SYMBOLS	GENERAL TOLERANCES (UNLESS SPECIFIED)	
	mm	INCH
▽=0	4 PLACES ± ---	± ---
▽=0	3 PLACES ± ---	± .015
	2 PLACES ± 0.38	± ---
	1 PLACE ± ---	± ---
	ANGULAR ± 1 °	

DIMENSION STYLE		SCALE	DESIGN UNITS
IN/MM		2:1	INCH
DRAWN BY	DATE	TITLE	
BRUPERT	04/07/28	12 WAY RIGHT ANGLE HEADER ASSEMBLY	
CHECKED BY	DATE		
JPAWLCK I	04/07/28		
APPROVED BY	DATE		
RDEROSS	04/07/28		

MATERIAL NO.		DOCUMENT NO.		SHEET NO.	
194270103		SD-19427-024		1 OF 1	
<b>MOLEX INCORPORATED</b>					
DRAFT WHERE APPLICABLE MUST REMAIN WITHIN DIMENSIONS					
THIS DRAWING CONTAINS INFORMATION THAT IS PROPRIETARY TO MOLEX INCORPORATED AND SHOULD NOT BE USED WITHOUT WRITTEN PERMISSION					

12 11 10 9 8 7 6 5 4 3 2 1