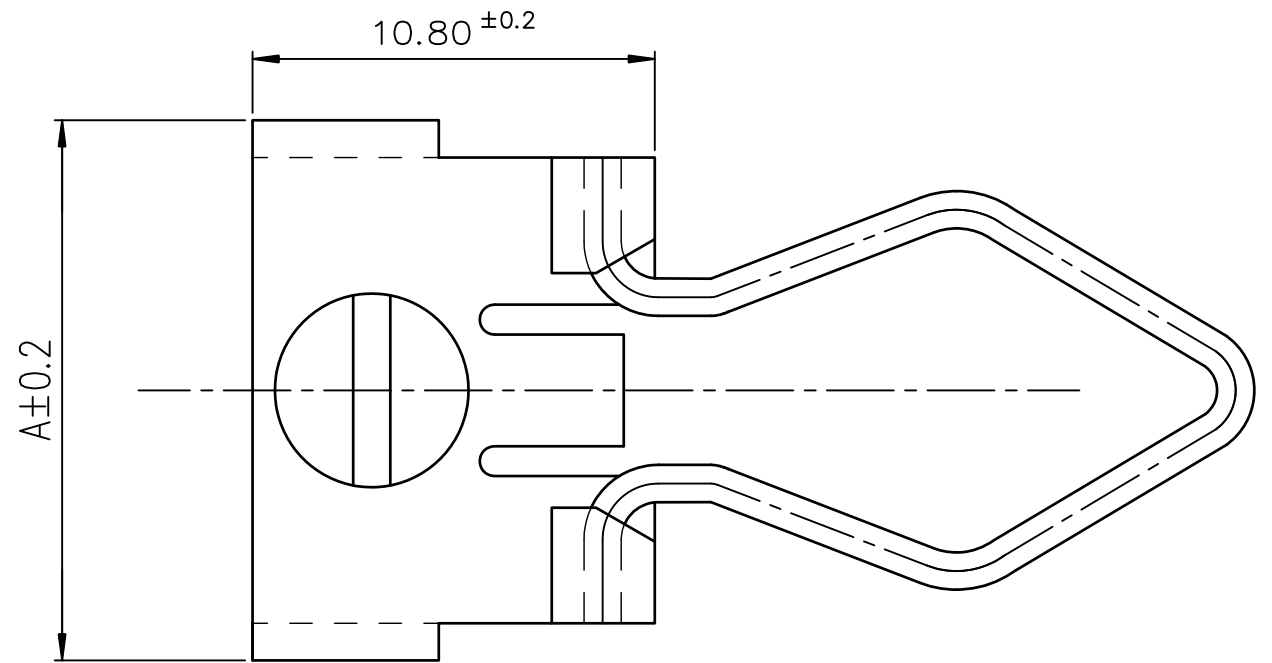
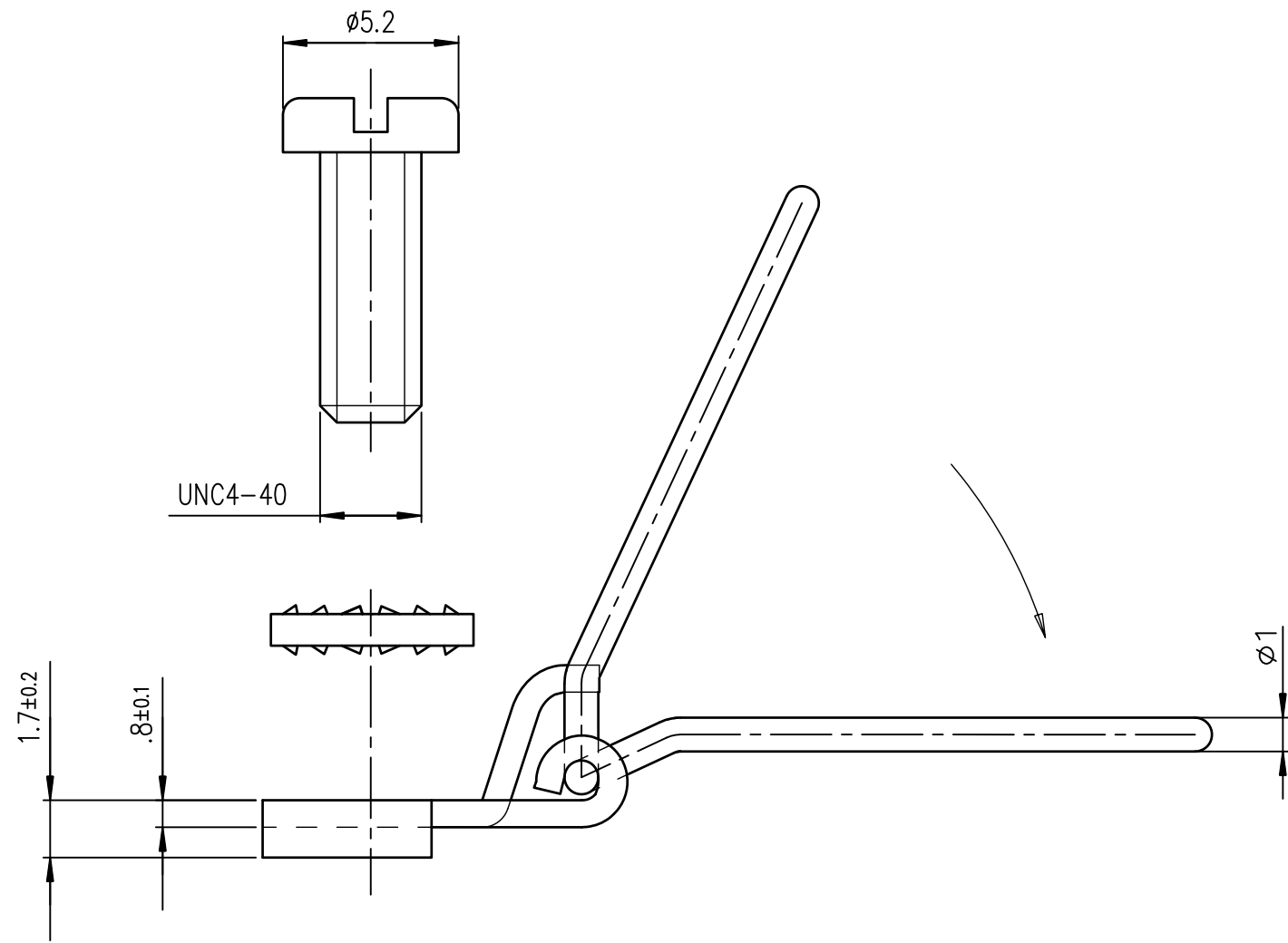




Copyright FCI

FCIconnect.com



865520991ALF	17.10	per 100
865520981ALF	14.30	per 100
PART NUMBER	A	PACKAGING

NOTE1: RoHS INFORMATIONS

- The "LF" product meets European union Directives and other country regulations as described in GS-47-0004.
- The product is not intended to be exposed to a manufacturing solder process.
- Plating: Zinc Cr3+, white color.
- Packaging spec: see GS-14-920.

mat'l. code		-		surface		ISO 1302		tolerance		projection		product family	
ltr		ecn no		dr		date		tolerances unless otherwise specified		MM		D-SUB	
A		LS05-0123		LGO		2006/01/12		.0±0.1		FCI		title	
B		LS06-0095		LGO		2006/06/26		.00±0.1		scale		LEVER LOCKS MALE	
C		ELX-I-15214		MP		2013/07/11		.000±0.1		5		(SHELL SIZE 09-15-25-37-50)	
-		-		-		-		dr		GOISNARD		2006/01/12	
-		-		-		-		enr		MITHUN PAUL		2013/07/11	
-		-		-		-		chr		MITHUN PAUL		2013/07/11	
-		-		-		-		appd		BIJU K PAUL		2013/07/11	
sheet index		revision		C		1		dwg no		sheet 1 of 1		size 5	
-		-		-		-		C01-8655-1673		A3		-	
-		-		-		-		type		Product Customer Drawing		-	