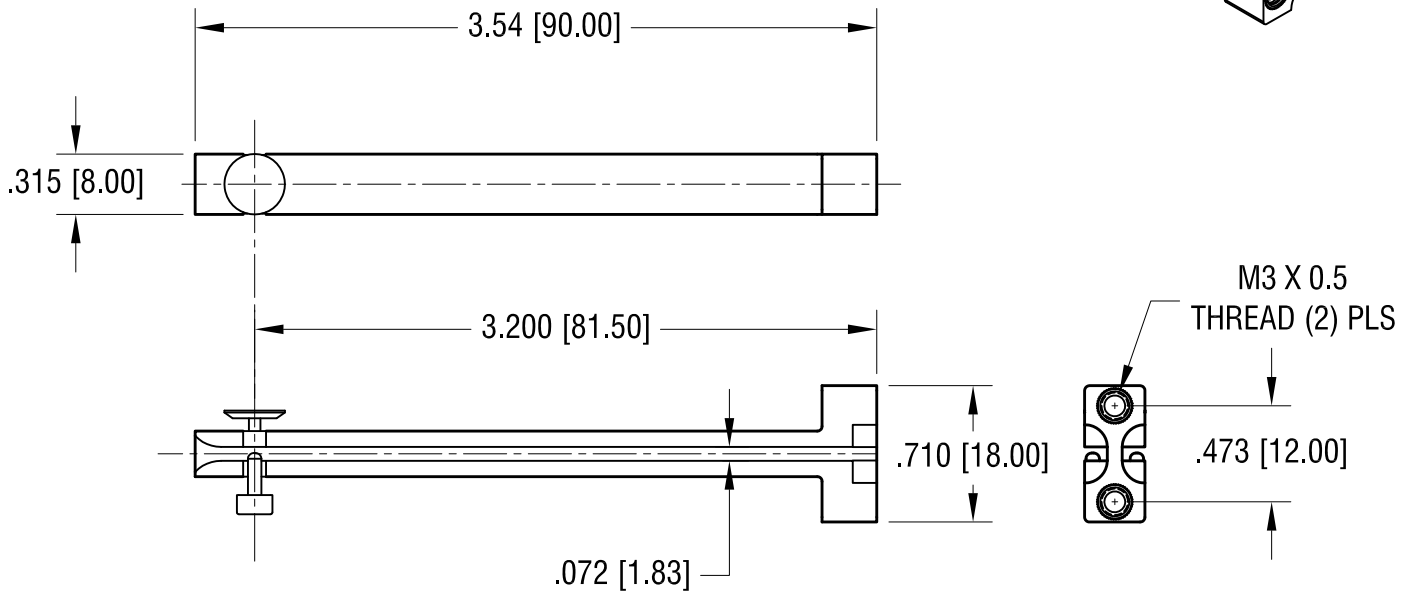
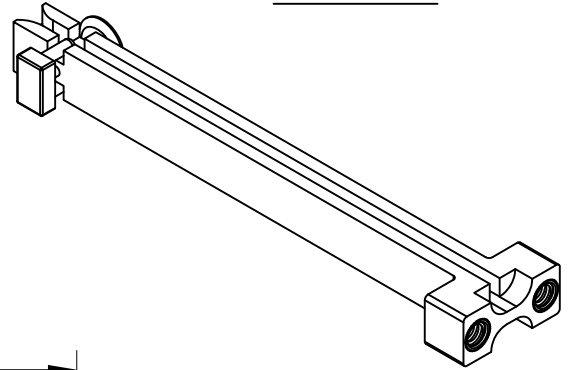


THIS DOCUMENT IS THE PROPERTY OF  
KEYSTONE ELECTRONICS CORP. AND  
SHALL NOT BE REPRODUCED, DISTRIBUTED  
OR USED AS A BASIS FOR MANUFACTURE  
WITHOUT PRIOR WRITTEN PERMISSION  
FROM KEYSTONE ELECTRONICS CORP.

ACTUAL SIZE



**NOTE:**

1. GUIDE: MAT'L- NYLON GLASS FILLED  
(COLOR-BLUE)
2. INSERT: MAT'L- BRASS  
FINISH- NICKEL PLATE
3. HARDWARE: MAT'L- STEEL  
FINISH- ZINC PLATE  
(2) PLS LOCKWASHER  
(2) PLS FLAT WASHER  
(2) PLS SCREW M3 x 8mm L.

<b>KEYSTONE ELECTRONICS CORP.</b>			
www.keyelco.com • ASTORIA, N.Y. 11105-2017 • Tel (718) 956-8900			
PART NAME		VERTICAL CARD GUIDE	
MATERIAL		AS NOTED	
FINISH	AS NOTED	DRN BY	NT
		DATE	2.14.15
		APP'D	LN
		SCALE	1X
TOLERANCES	INCH [MM]	CODE	DWG NO.
DECIMAL	± .010 [± 0.25]	C	<b>8647</b>
ANGULAR	± 1°		
UNLESS OTHERWISE SPECIFIED			

8.05.15	ECN 15-075, ADD NOTE 3.	A
DATE	DESCRIPTION	REV.