

REMOVAL TOOL	RIGHT-ANGLE HEADER
1804171-1	2-Pair
1804173-1	3-Pair
1804174-1	4-Pair

Figure 1

1. INTRODUCTION

The removal tools listed in Figure 1 are designed to remove the housing from the chicklets of Z-PACK HM-Zd right-angle headers. The chicklets will remain on the printed circuit (pc) board.

Reasons for reissue of this instruction sheet are provided in Section 7, REVISION SUMMARY.

2. DESCRIPTION

Each removal tool consists of the components shown in Figure 1. After the release block is attached to the front of the header, the thumbscrew knob is used to secure the puller to the housing. Rotating the lever moves the pushers against the pc board and pulls the housing from the header.

3. ADJUSTMENT

Before using the removal tool, each pusher must be positioned according to the location of the header on the pc board. Refer to Figure 2.



To avoid damage to the header or pc board, make sure that the pushers are properly positioned before using the removal tool.

Adjust the pusher(s) as follows:

1. Remove the screws that secure the lever arm (to be adjusted) onto the lever. Pull the lever arm from the groove pin. See Figure 2.

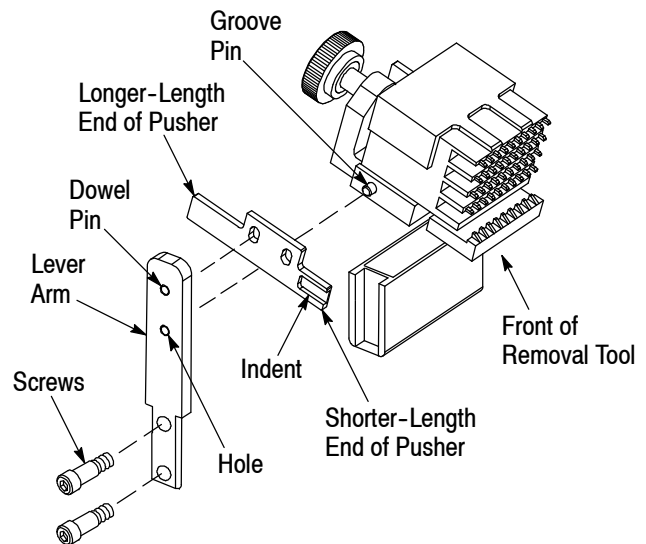
If adjusting both pushers, pull the other lever arm, with the lever attached, from the groove pin.

2. Flip the pusher(s) so that either the longer-length end (standard position, shown in Figure 2) or shorter-length end (reversed position) faces the front of the removal tool. For the standard position, make sure that the indent of the pusher faces outward. Refer to Figure 2.

3. Place the hole of the lever arm onto the groove pin, and place the dowel pin of the lever arm into the hole (of the pusher) closest to back of removal tool. Refer to Figure 2.

If adjusting both pushers, do the same for the other lever arm (with the lever attached).

4. Secure the lever arm to the lever with the screws.



HEADER LOCATION	LEFT PUSHER POSITION	RIGHT PUSHER POSITION
Single	Standard	Standard
Right End of Stack	Reversed	Standard
Left End of Stack	Standard	Reversed
Middle of Stack	Reversed	Reversed

Figure 2

4. REMOVAL PROCEDURE

1. Loosen, but do not remove, the thumbscrew so that the puller can be positioned at an angle. See Figure 3, Detail A.

2. Slide the removal tool onto the front of the header so that the blades fit over the header ground shields. See Figure 3, Detail A.
3. Push the removal tool *straight* into the header until the blades butt against the housing. Straighten the puller so that the teeth of the puller fit over the back edge of the housing. See Figure 3, Detail B.
4. Hold the puller in place, and tighten the thumbscrew knob.
5. *Slowly* pull the lever away from the pc board until the pushers butt against the pc board. Make sure that the removal tool moves straight. **DO NOT** allow the removal tool to tilt. See Figure 3, Detail C.

6. Pull the removal tool (with the housing) straight away from the header. **DO NOT** tilt the removal tool.
7. Loosen the thumbscrew knob, and lower the puller away from the housing.
8. Pull the housing from the removal tool.

5. MAINTENANCE

It is recommended that each operator be made aware of, and responsible for, the following steps of daily maintenance:

1. Remove dust, moisture, and other contaminants from the removal tool with a clean, soft brush, or lint-free cloth. **DO NOT** use objects that could damage the removal tool.
2. When the removal tool is not in use, store it in a clean, dry area.

6. REPLACEMENT AND REPAIR

Order removal tools through your representative, or call 1-800-526-5142, or send a facsimile of your purchase order to 717-986-7605, or write to:

CUSTOMER SERVICE (038-035)
 TYCO ELECTRONICS CORPORATION
 PO BOX 3608
 HARRISBURG PA 17105-3608

For customer repair service, call 1-800-526-5136.

7. REVISION SUMMARY

Revisions to this instruction sheet include:

- Updated instruction sheet to corporate requirements

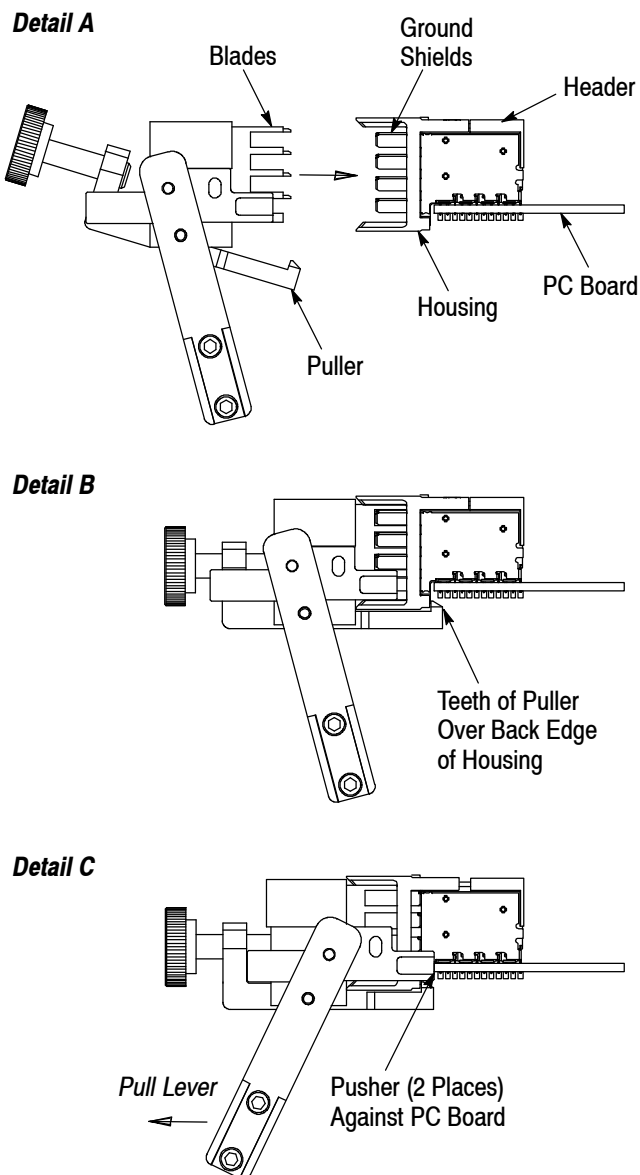


Figure 3