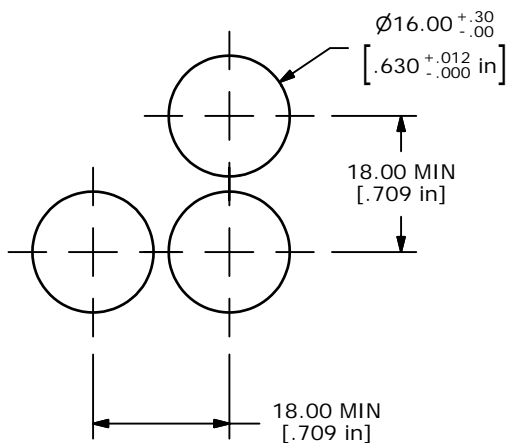
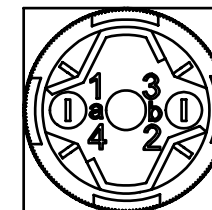
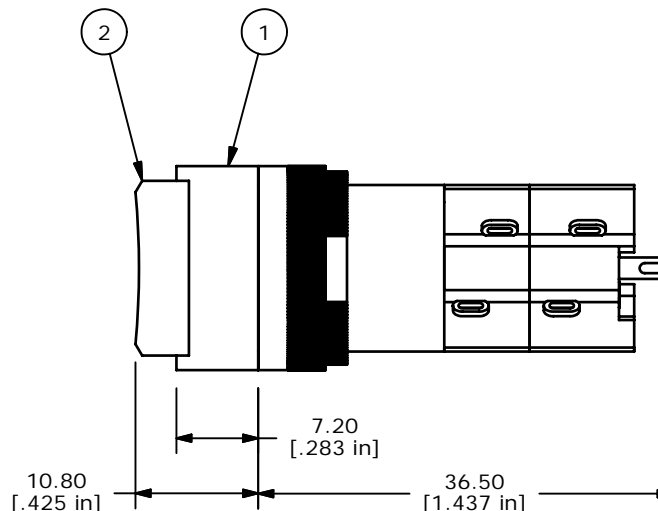
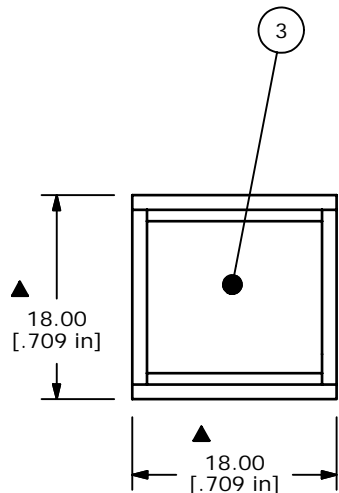
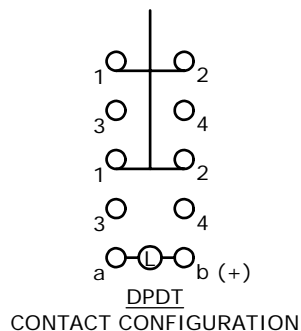
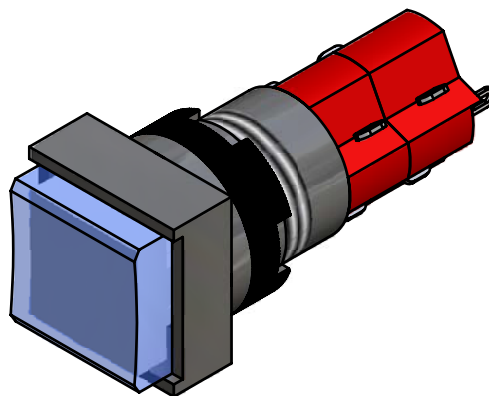


| PARTS LIST | | | |
|------------|-----|-------------|-----------------------------------------------|
| ITEM | QTY | PART NUMBER | DESCRIPTION |
| 1 | 1 | F040020 | D16EES12 |
| 2 | 1 | F050302 | 50-003-02 LENS, SQUARE, CONCAVE, GREEN |
| 3 | 1 | F050404 | 50-004-04 LAMP, INCANDESCENT, 14V AC/DC, 80mA |



PANEL MOUNTING



NOTE:

1. ALL DIMENSIONS IN MM [INCH].
2. GENERAL TOLERANCE: X.X=±0.4 X.XX=±0.25
3. TERMINAL NUMBERS FOR REF ONLY.
4. RATING: 5A @ 250VAC
6A @ 24VDC
5. ELECTRICAL LIFE: 50,000 OPERATIONS
6. INSULATION RESISTANCE: 1,000 MEGA-OHM MIN.
7. OPERATING TEMP.: -25°C to +55°C
- ▲ 8. LAMP VOLTAGE: 14V AC/DC INCANDESCENT
9. ▲ DENOTES CRITICAL PARAMETER.



| | | | | |
|-----|--------|-------------------------|---------|----|
| A | 15944 | RELEASED FOR PRODUCTION | 4/13/06 | BK |
| REV | PCR NO | DESCRIPTION | DATE | BY |

| | | | | |
|--------------------|----------|----|---------|-----|
| TITLE D16EES12BGRN | | | | |
| SCALE | DATE | DR | DWG | REV |
| 1.5:1 | 04/13/06 | BK | XF0673P | A |

THE INFORMATION CONTAINED IN THIS DOCUMENT IS PROPRIETARY TO E-SWITCH AND IS NOT TO BE COPIED OR TRANSFERRED