

ADC1002S020

Single 10 bits ADC, up to 20 MHz

Rev. 03 — 2 July 2012

Product data sheet

1. General description

The ADC1002S020 is a 10-bit high-speed Analog-to-Digital Converter (ADC) for professional video and other applications. It converts with 3.0 V to 5.25 V operation the analog input signal into 10-bit binary-coded digital words at a maximum sampling rate of 20 MHz. All digital inputs and outputs are CMOS compatible. A standby mode allows a reduction of the device power consumption to 4 mW.

2. Features

- 10-bit resolution
- 3.0 V to 5.25 V operation
- Sampling rate up to 20 MHz
- DC sampling allowed
- High signal-to-noise ratio over a large analog input frequency range (9.3 effective bits at 1.0 MHz; full-scale input at $f_{\text{clk}} = 20$ MHz)
- In-Range (IR) CMOS output
- CMOS/Transistor-Transistor Logic (TTL) compatible digital inputs and outputs
- External reference voltage regulator
- Power dissipation only 53 mW (typical value)
- Low analog input capacitance, no buffer amplifier required
- Standby mode
- No sample-and-hold circuit required

3. Applications

- Video data digitizing
- Camera
- Camcorder
- Radio communication
- Barcode scanner



4. Quick reference data

Table 1. Quick reference data

$V_{DDA} = V7$ to $V9 = 3.3$ V; $V_{DDD} = V4$ to $V3 = V18$ to $V19 = 3.3$ V; $V_{DDO} = V20$ to $V21 = 3.3$ V; V_{SSA} , V_{SSD} and V_{SSO} shorted together; $V_{i(p-p)} = 1.83$ V; $C_L = 20$ pF; $T_{amb} = 0$ °C to 70 °C; typical values measured at $T_{amb} = 25$ °C unless otherwise specified.

Symbol	Parameter	Conditions	Min	Typ	Max	Unit
V_{DDA}	analog supply voltage		3.0	3.3	5.25	V
V_{DDD1}	digital supply voltage 1		3.0	3.3	5.25	V
V_{DDD2}	digital supply voltage 2		3.0	3.3	5.25	V
V_{DDO}	output supply voltage		3.0	3.3	5.25	V
I_{DDA}	analog supply current		-	7.5	10	mA
I_{DDD}	digital supply current		-	7.5	10	mA
I_{DDO}	output supply current	$f_{clk} = 20$ MHz; ramp input; $C_L = 20$ pF	-	1	2	mA
INL	integral non-linearity	ramp input; see Figure 6	-	±1	±2	LSB
DNL	differential non-linearity	ramp input; see Figure 7	-	±0.25	±0.7	LSB
$f_{clk(max)}$	maximum clock frequency		20	-	-	MHz
P_{tot}	total power dissipation	operating; $V_{DDD} = 3.3$ V	-	53	73	mW
		standby mode	-	4	-	mW

5. Ordering information

Table 2. Ordering information

Type number	Package		
	Name	Description	Version
ADC1002S020HL	LQFP32	plastic low profile quad flat package; 32 leads; body 5 × 5 × 1.4 mm	SOT401-1

6. Block diagram

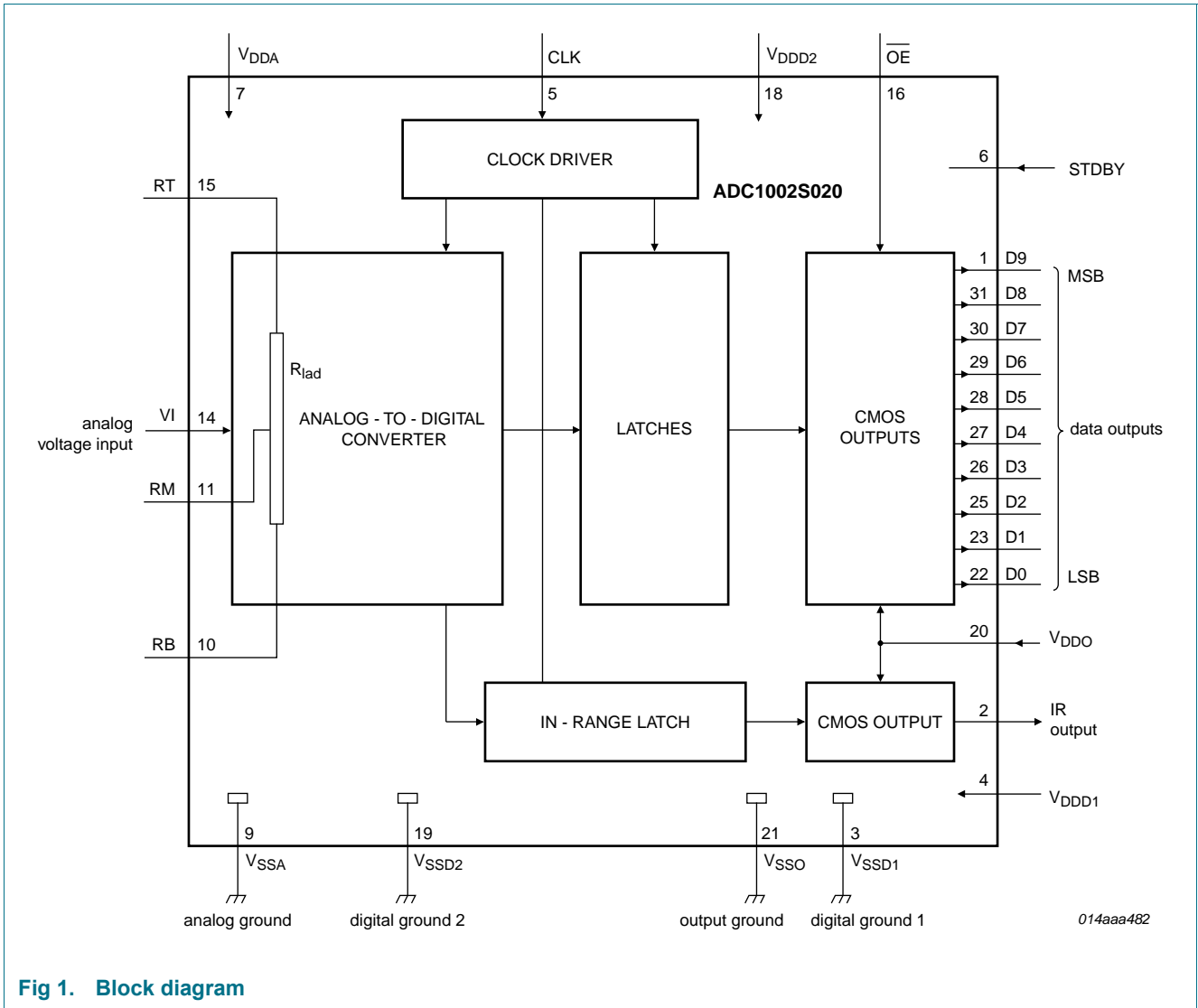
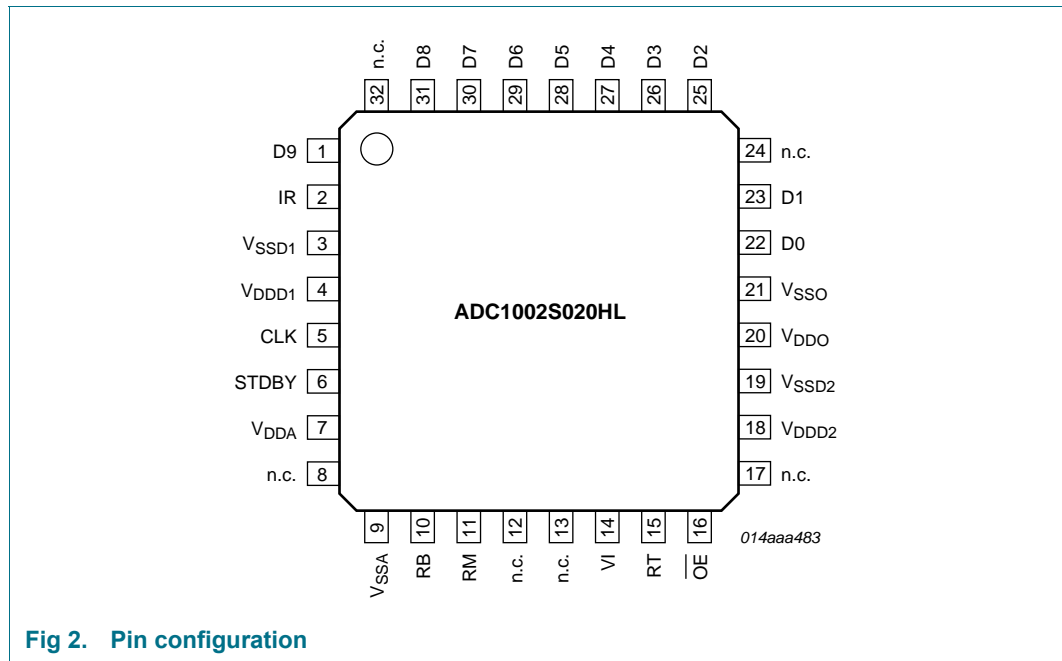


Fig 1. Block diagram

7. Pinning information

7.1 Pinning



7.2 Pin description

Table 3. Pin description

Symbol	Pin	Description
D9	1	data output; bit 9 (Most Significant Bit (MSB))
IR	2	in-range data output
V _{SSD1}	3	digital ground 1
V _{DD1}	4	digital supply voltage 1 (3.0 V to 5.25 V)
CLK	5	clock input
STDBY	6	standby mode input
V _{DDA}	7	analog supply voltage (3.0 V to 5.25 V)
n.c.	8	not connected
V _{SSA}	9	analog ground
RB	10	reference voltage BOTTOM input
RM	11	reference voltage MIDDLE input
n.c.	12	not connected
n.c.	13	not connected
VI	14	analog voltage input
RT	15	reference voltage TOP input
\overline{OE}	16	output enable input (active LOW)
n.c.	17	not connected
V _{DD2}	18	digital supply voltage 2 (3.0 V to 5.25 V)

Table 3. Pin description ...continued

Symbol	Pin	Description
V _{SSD2}	19	digital ground 2
V _{DDO}	20	positive supply voltage for output stage (3.0 V to 5.25 V)
V _{SSO}	21	output stage ground
D0	22	data output; bit 0 (Least Significant Bit (LSB))
D1	23	data output; bit 1
n.c.	24	not connected
D2	25	data output; bit 2
D3	26	data output; bit 3
D4	27	data output; bit 4
D5	28	data output; bit 5
D6	29	data output; bit 6
D7	30	data output; bit 7
D8	31	data output; bit 8
n.c.	32	not connected

8. Limiting values

Table 4. Limiting values

In accordance with the Absolute Maximum Rating System (IEC 60134).

Symbol	Parameter	Conditions	Min	Max	Unit
V _{DDA}	analog supply voltage		[1] -0.3	+7.0	V
V _{DDD}	digital supply voltage		[1] -0.3	+7.0	V
V _{DDO}	output supply voltage		[1] -0.3	+7.0	V
ΔV_{DD}	supply voltage difference	V _{DDA} - V _{DDD} V _{DDD} - V _{DDO} V _{DDA} - V _{DDO}	-0.1	+4.0	V
V _I	input voltage	referenced to V _{SSA}	-0.3	+7.0	V
V _{i(a)(p-p)}	peak-to-peak analog input voltage	referenced to V _{SSD}	-	V _{DDD}	V
I _O	output current		-	10	mA
T _{stg}	storage temperature		-55	+150	°C
T _{amb}	ambient temperature		-20	+75	°C
T _j	junction temperature		-	150	°C

[1] The supply voltages V_{DDA}, V_{DDD} and V_{DDO} may have any value between -0.3 V and +7.0 V provided that the supply voltage ΔV_{DD} remains as indicated.

9. Thermal characteristics

Table 5. Thermal characteristics

Symbol	Parameter	Condition	Value	Unit
R _{th(j-a)}	thermal resistance from junction to ambient	in free air	90	K/W

10. Characteristics

Table 6. Characteristics

$V_{DDA} = V7$ to $V9 = 3.3$ V; $V_{DDD} = V4$ to $V3 = V18$ to $V19 = 3.3$ V; $V_{DDO} = V20$ to $V21 = 3.3$ V; V_{SSA} , V_{SSD} and V_{SSO} shorted together; $V_{i(p-p)} = 1.83$ V; $C_L = 20$ pF; $T_{amb} = 0$ °C to 70 °C; typical values measured at $T_{amb} = 25$ °C unless otherwise specified.

Symbol	Parameter	Conditions	Min	Typ	Max	Unit
Supplies						
V_{DDA}	analog supply voltage		3.0	3.3	5.25	V
V_{DDD1}	digital supply voltage 1		3.0	3.3	5.25	V
V_{DDD2}	digital supply voltage 2		3.0	3.3	5.25	V
V_{DDO}	output supply voltage		3.0	3.3	5.25	V
ΔV_{DD}	supply voltage difference	$V_{DDA} - V_{DDD}$; $V_{DDD} - V_{DDO}$; $V_{DDA} - V_{DDO}$	-0.2	-	+0.2	V
I_{DDA}	analog supply current		-	7.5	10	mA
I_{DDD}	digital supply current		-	7.5	10	mA
I_{DDO}	output supply current	$f_{clk} = 20$ MHz; ramp input; $C_L = 20$ pF	-	1	2	mA
P_{tot}	total power dissipation	operating; $V_{DDD} = 3.3$ V	-	53	73	mW
		standby mode	-	4	-	mW
Inputs						
Clock input CLK (Referenced to V_{SSD}); ^[1]						
V_{IL}	LOW-level input voltage		0	-	$0.3 V_{DDD}$	V
V_{IH}	HIGH-level input voltage	$V_{DDD} \leq 3.6$ V	$0.6 V_{DDD}$	-	V_{DDD}	V
		$V_{DDD} > 3.6$ V	$0.7 V_{DDD}$	-	V_{DDD}	V
I_{IL}	LOW-level input current	$V_{CLK} = 0.3 V_{DDD}$	-1	0	+1	μ A
I_{IH}	HIGH-level input current	$V_{CLK} = 0.7 V_{DDD}$	-	-	5	μ A
Z_i	input impedance	$f_{clk} = 20$ MHz	-	4	-	k Ω
C_i	input capacitance	$f_{clk} = 20$ MHz	-	3	-	pF
Inputs \overline{OE} and STDBY (Referenced to V_{SSD}); see Table 7 and 8						
V_{IL}	LOW-level input voltage		0	-	$0.3 V_{DDD}$	V
V_{IH}	HIGH-level input voltage	$V_{DDD} \leq 3.6$ V	$0.6 V_{DDD}$	-	V_{DDD}	V
		$V_{DDD} > 3.6$ V	$0.7 V_{DDD}$	-	V_{DDD}	V
I_{IL}	LOW-level input current	$V_{IL} = 0.3 V_{DDD}$	-1	-	-	μ A
I_{IH}	HIGH-level input current	$V_{IH} = 0.7 V_{DDD}$	-	-	1	μ A
Analog input VI (Referenced to V_{SSA})						
I_{IL}	LOW-level input current	$V_I = V_{RB}$	-	0	-	μ A
I_{IH}	HIGH-level input current	$V_I = V_{RT}$	-	35	-	μ A
Z_i	input impedance	$f_i = 1$ MHz	-	5	-	k Ω
C_i	input capacitance	$f_i = 1$ MHz	-	8	-	pF
Reference voltages for the resistor ladder; see Table 8						
V_{RB}	voltage on pin RB		1.1	1.2	-	V
V_{RT}	voltage on pin RT		3.0	3.3	V_{DDA}	V

Table 6. Characteristics ...continued

$V_{DDA} = V7$ to $V9 = 3.3$ V; $V_{DDD} = V4$ to $V3 = V18$ to $V19 = 3.3$ V; $V_{DDO} = V20$ to $V21 = 3.3$ V; V_{SSA} , V_{SSD} and V_{SSO} shorted together; $V_{i(p-p)} = 1.83$ V; $C_L = 20$ pF; $T_{amb} = 0$ °C to 70 °C; typical values measured at $T_{amb} = 25$ °C unless otherwise specified.

Symbol	Parameter	Conditions	Min	Typ	Max	Unit
$V_{ref(dif)}$	differential reference voltage	$V_{RT} - V_{RB}$	1.9	2.1	3.0	V
I_{ref}	reference current		-	7.2	-	mA
R_{lad}	ladder resistance		-	290	-	Ω
TC_{Rlad}	ladder resistor temperature coefficient		-	539	-	m Ω /K
V_{offset}	offset voltage	BOTTOM	[2] -	135	-	mV
		TOP	[2] -	135	-	mV
$V_{i(p-p)}$	peak-to-peak input voltage		[3] 1.66	1.83	2.35	V
Digital outputs D9 to D0 and IR (Referenced to V_{SSD})						
V_{OL}	LOW-level output voltage	$I_O = 1$ mA	0	-	0.5	V
V_{OH}	HIGH-level output voltage	$I_O = -1$ mA	$V_{DDO} - 0.5$	-	V_{CCO}	V
I_{OZ}	OFF-state output current	0.5 V < V_O < V_{DDO}	-20	-	+20	μ A
Switching characteristics; Clock input CLK; see Figure 4^[1]						
$f_{clk(max)}$	maximum clock frequency		20	-	-	MHz
$t_{w(clk)H}$	HIGH clock pulse width		15	-	-	ns
$t_{w(clk)L}$	LOW clock pulse width		15	-	-	ns
Analog signal processing ($f_{clk} = 20$ MHz)						
Linearity						
INL	integral non-linearity	ramp input; see Figure 6	-	± 1	± 2	LSB
DNL	differential non-linearity	ramp input; see Figure 7	-	± 0.25	± 0.7	LSB
Input set response; see Figure 8^[4]						
$t_{s(LH)}$	LOW to HIGH settling time	full-scale square wave	-	4	6	ns
$t_{s(HL)}$	HIGH to LOW settling time	full-scale square wave	-	4	6	ns
Harmonics; see Figure 9^[5]						
THD	total harmonic distortion	$f_i = 1$ MHz	-	-63	-	dB
Signal-to-Noise ratio; see Figure 9^[5]						
S/N	signal-to-noise ratio	without harmonics; $f_i = 1$ MHz	-	60	-	dB
Effective bits; see Figure 9^[5]						
ENOB	effective number of bits	$f_i = 300$ KHz	-	9.5	-	bits
		$f_i = 1$ MHz	-	9.3	-	bits
		$f_i = 3.58$ MHz	-	8.0	-	bits

Table 6. Characteristics ...continued

$V_{DDA} = V7$ to $V9 = 3.3$ V; $V_{DDD} = V4$ to $V3 = V18$ to $V19 = 3.3$ V; $V_{DDO} = V20$ to $V21 = 3.3$ V; V_{SSA} , V_{SSD} and V_{SSO} shorted together; $V_{i(p-p)} = 1.83$ V; $C_L = 20$ pF; $T_{amb} = 0$ °C to 70 °C; typical values measured at $T_{amb} = 25$ °C unless otherwise specified.

Symbol	Parameter	Conditions	Min	Typ	Max	Unit
Timing ($f_{clk} = 20$ MHz; $C_L = 20$ pF); see Figure4^[6]						
$t_{d(s)}$	sampling delay time		-	-	5	ns
$t_{h(o)}$	output hold time		5	-	-	ns
$t_{d(o)}$	output delay time	$V_{DDO} = 4.75$ V	8	12	15	ns
		$V_{DDO} = 3.15$ V	8	17	20	ns
3-state output delay times; see Figure 5						
t_{dZH}	float to active HIGH delay time		-	14	18	ns
t_{dZL}	float to active LOW delay time		-	16	20	ns
t_{dHZ}	active HIGH to float delay time		-	16	20	ns
t_{dLZ}	active LOW to float delay time		-	14	18	ns
Standby mode output delay times						
t_{TLH}	LOW to HIGH transition time	stand-by	-	-	200	ns
t_{THL}	HIGH to LOW transition time	start-up	-	-	500	ns

- [1] In addition to a good layout of the digital and analog ground, it is recommended that the rise and fall times of the clock must not be less than 1 ns.
- [2] Analog input voltages producing code 0 up to and including code 1023:
 - a) $V_{offset\ BOTTOM}$ is the difference between the analog input which produces data equal to 00 and the reference voltage on pin RB (V_{RB}) at $T_{amb} = 25$ °C.
 - b) $V_{offset\ TOP}$ is the difference between the reference voltage on pin RT (V_{RT}) and the analog input which produces data outputs equal to code 1023 at $T_{amb} = 25$ °C.
- [3] To ensure the optimum linearity performance of such a converter architecture the lower and upper extremities of the converter reference resistor ladder are connected to pins RB and RT via offset resistors R_{OB} and R_{OT} as shown in Figure 3.
 - a) The current flowing into the resistor ladder is $I = \frac{V_{RT} - V_{RB}}{R_{OB} + R_L + R_{OT}}$ and the full-scale input range at the converter, to cover code 0 to 1023 is $V_I = R_L \times I_L = \frac{R_L}{R_{OB} + R_L + R_{OT}} \times (V_{RT} + V_{RB}) = 0.871 \times (V_{RT} - V_{RB})$
 - b) Since R_L , R_{OB} and R_{OT} have similar behavior with respect to process and temperature variation, the ratio $\frac{R_L}{R_{OB} + R_L + R_{OT}}$ will be kept reasonably constant from device to device. Consequently variation of the output codes at a given input voltage depends mainly on the difference $V_{RT} - V_{RB}$ and its variation with temperature and supply voltage. When several ADCs are connected in parallel and fed with the same reference source, the matching between each of them is optimized.
- [4] The analog input settling time is the minimum time required for the input signal to be stabilized after a sharp full-scale input (square wave signal) in order to sample the signal and obtain correct output data.
- [5] Effective bits are obtained via a Fast Fourier Transform (FFT) treatment taking 8000 acquisition points per equivalent fundamental period. The calculation takes into account all harmonics and noise up to half the clock frequency (Nyquist frequency). Conversion to Signal-to-Noise And Distortion (SINAD) ratio: $SINAD = ENOB \times 6.02 + 1.76$ dB.
- [6] Output data acquisition: the output data is available after the maximum delay time of $t_{d(o)}$.

11. Additional information relating to Table 6

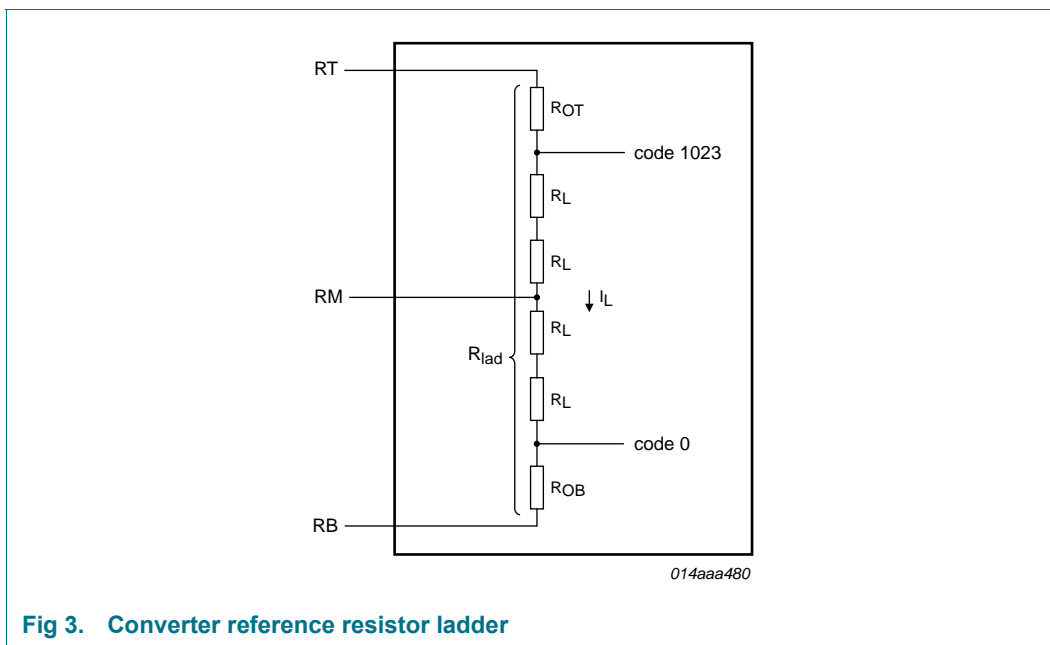


Fig 3. Converter reference resistor ladder

Table 7. Mode selection

OE	D9 to D0	IR
1	high impedance	high impedance
0	active; binary	active

Table 8. Standby selection

STBY	D9 to D0	I _{CCA} + I _{CCD}
1	last logic state	1.2 mA (typical value)
0	active	15 mA (typical value)

Table 9. Output coding and input voltage (typical values; referenced to V_{SSA})

Code	V _{i(a)(p-p)} (V)	IR	Binary outputs D9 to D0
Underflow	< 1.335	0	00 0000 0000
0	1.335	1	00 0000 0000
1	-	1	00 0000 0001
↓	-	↓	↓
1022	-	1	11 1111 1110
1023	3.165	1	11 1111 1111
Overflow	> 3.165	0	11 1111 1111

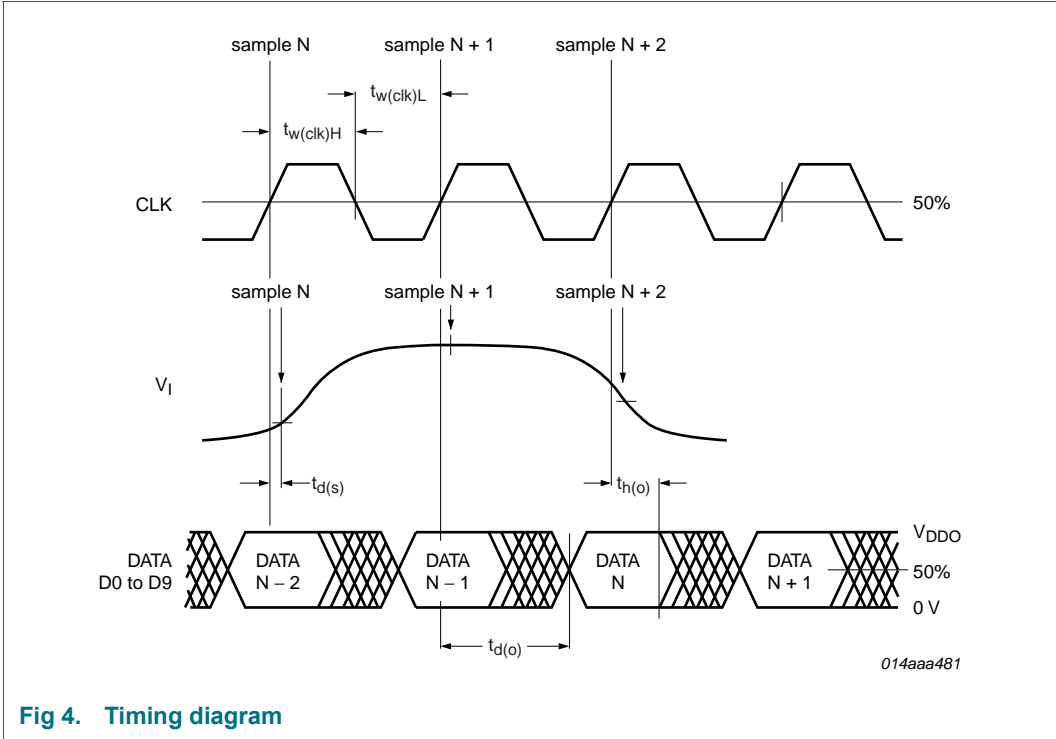
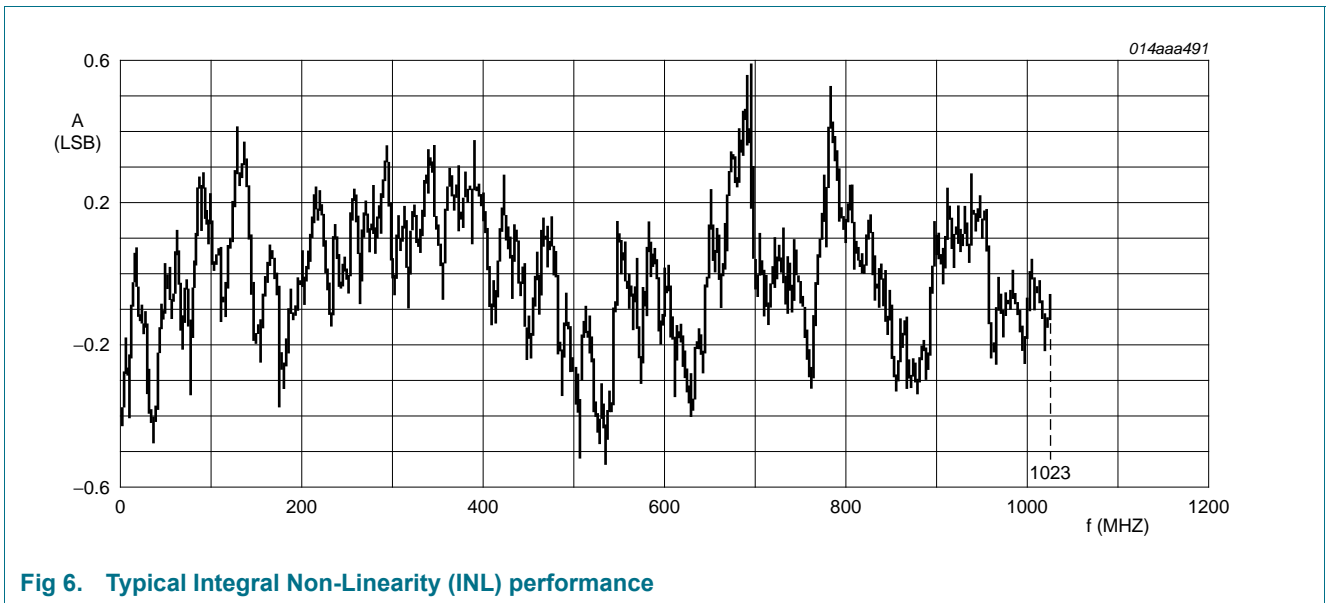
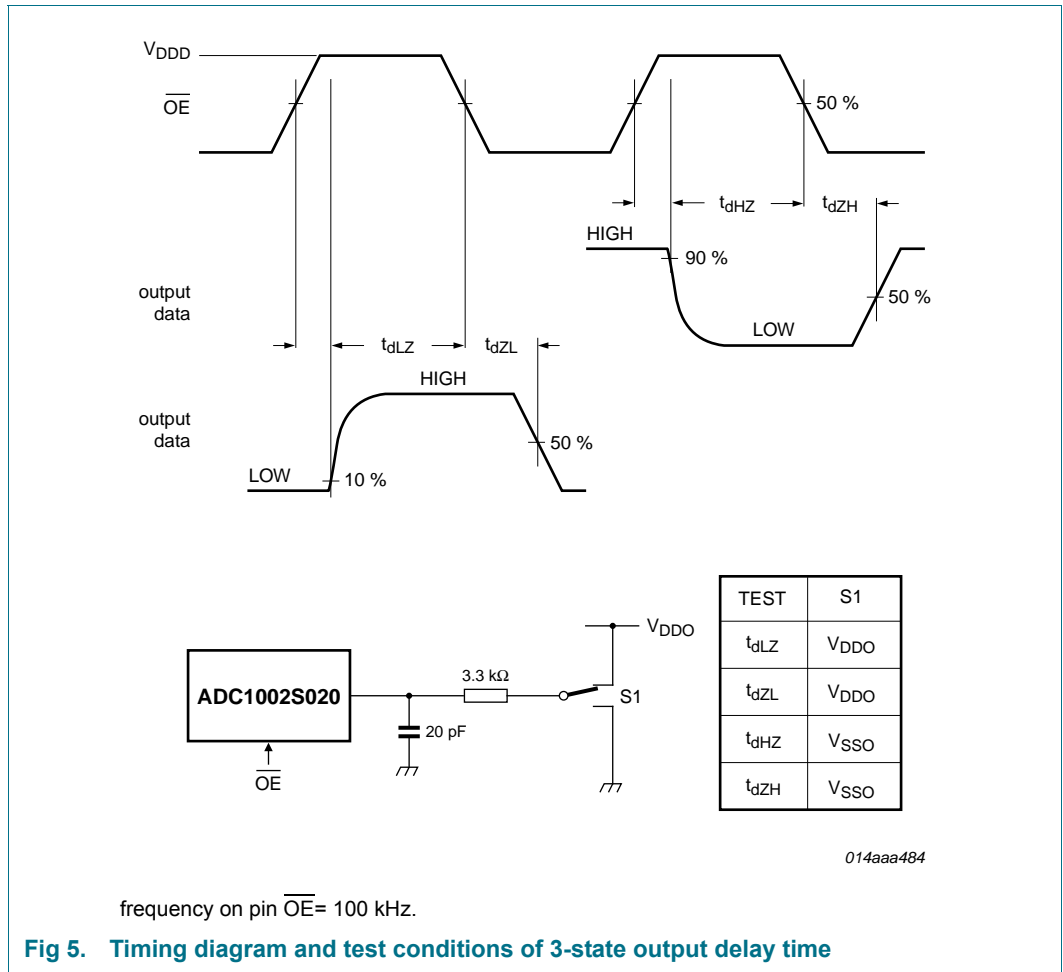


Fig 4. Timing diagram



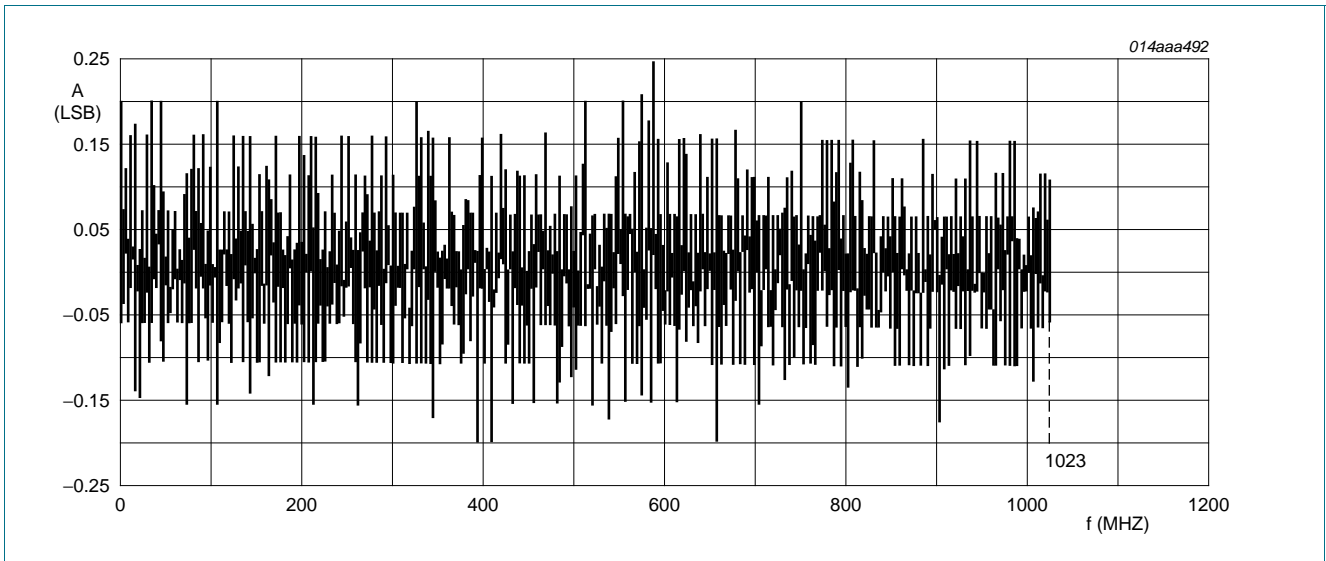


Fig 7. Typical Differential Non-Linearity (DNL) performance

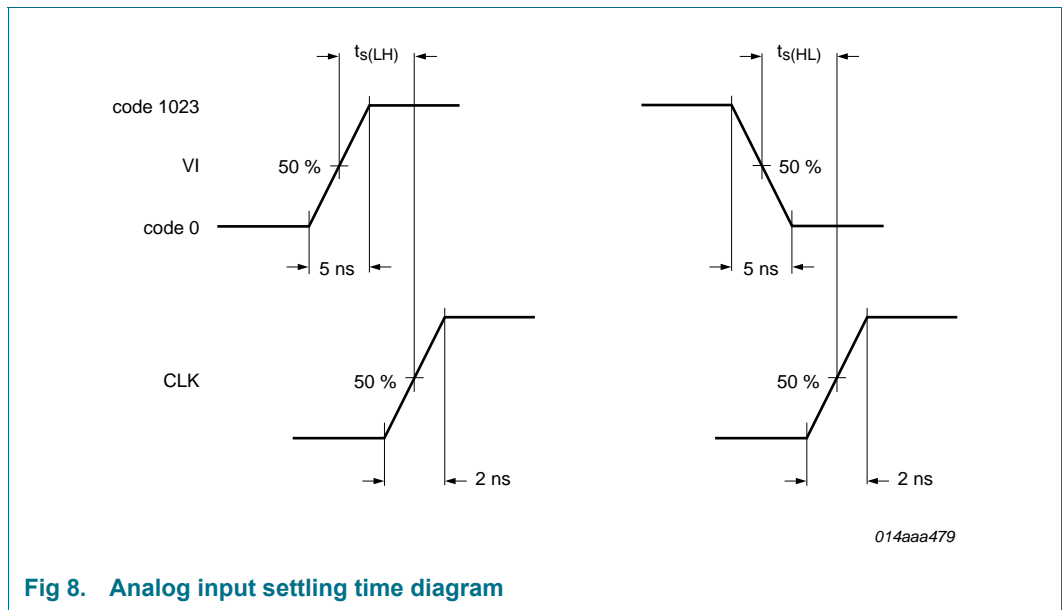
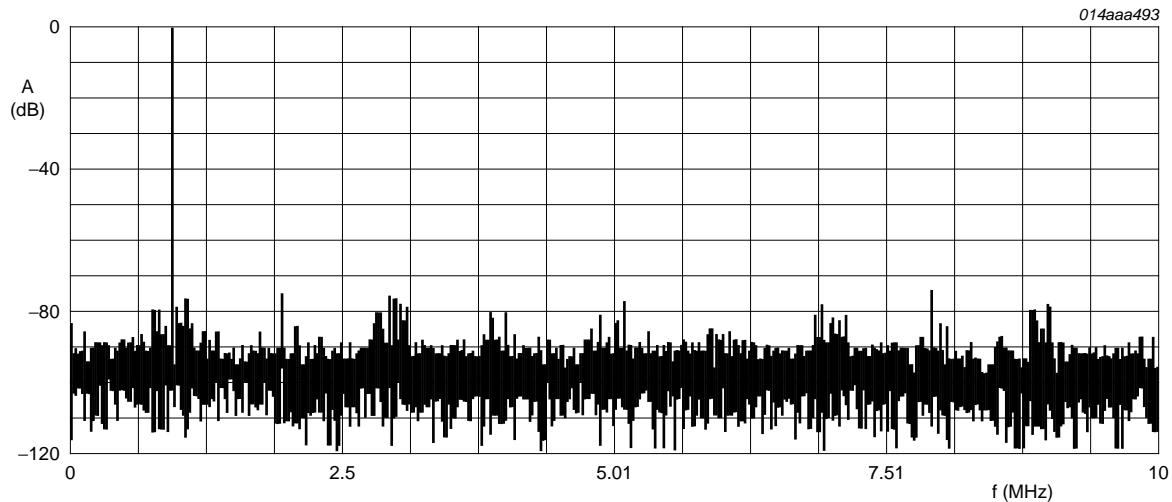


Fig 8. Analog input settling time diagram



Effective bits: 9.59; THD = -76.60 dB.

Harmonic levels (dB): 2nd = -81.85; 3rd = -87.56; 4th = -88.81; 5th = -88.96; 6th = -79.58.

Fig 9. Typical fast Fourier transform ($f_{clk} = 20$ MHz; $f_i = 1$ MHz)

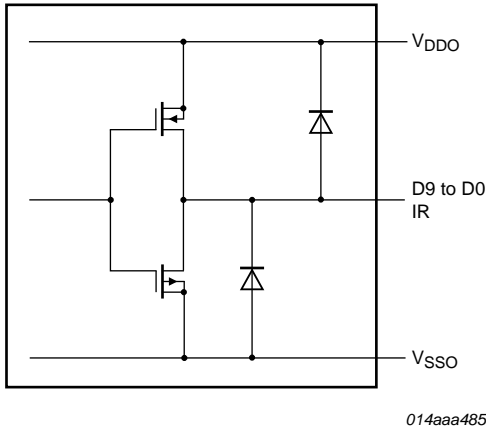


Fig 10. D9 to D0 and IR outputs

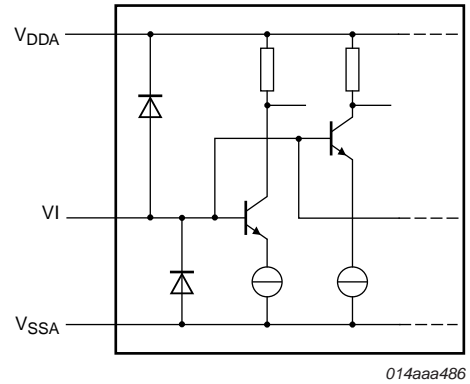


Fig 11. VI analog input

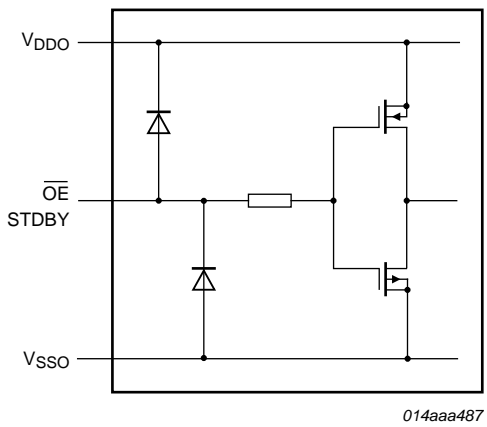


Fig 12. OE and STDBY inputs

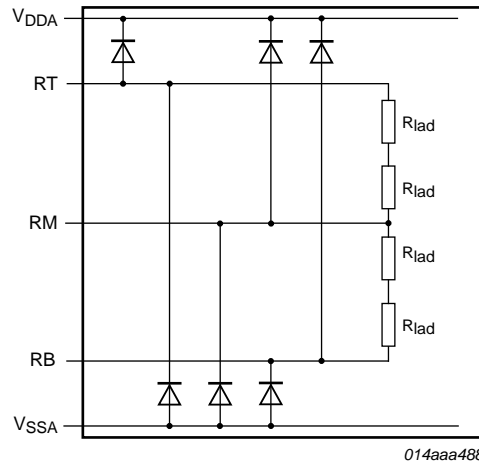


Fig 13. RB, RM and RT inputs

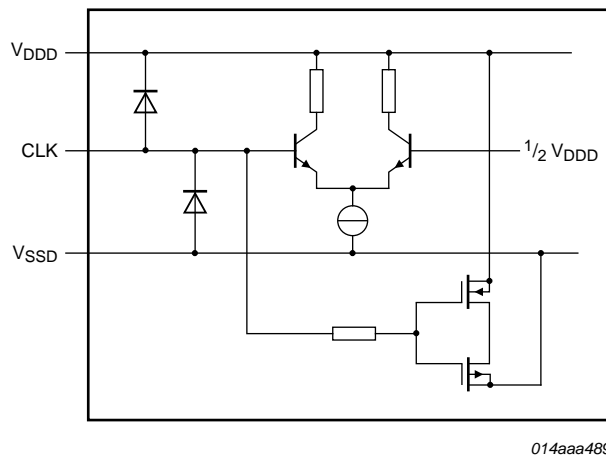


Fig 14. CLK input

12. Application information

12.1 Application diagram

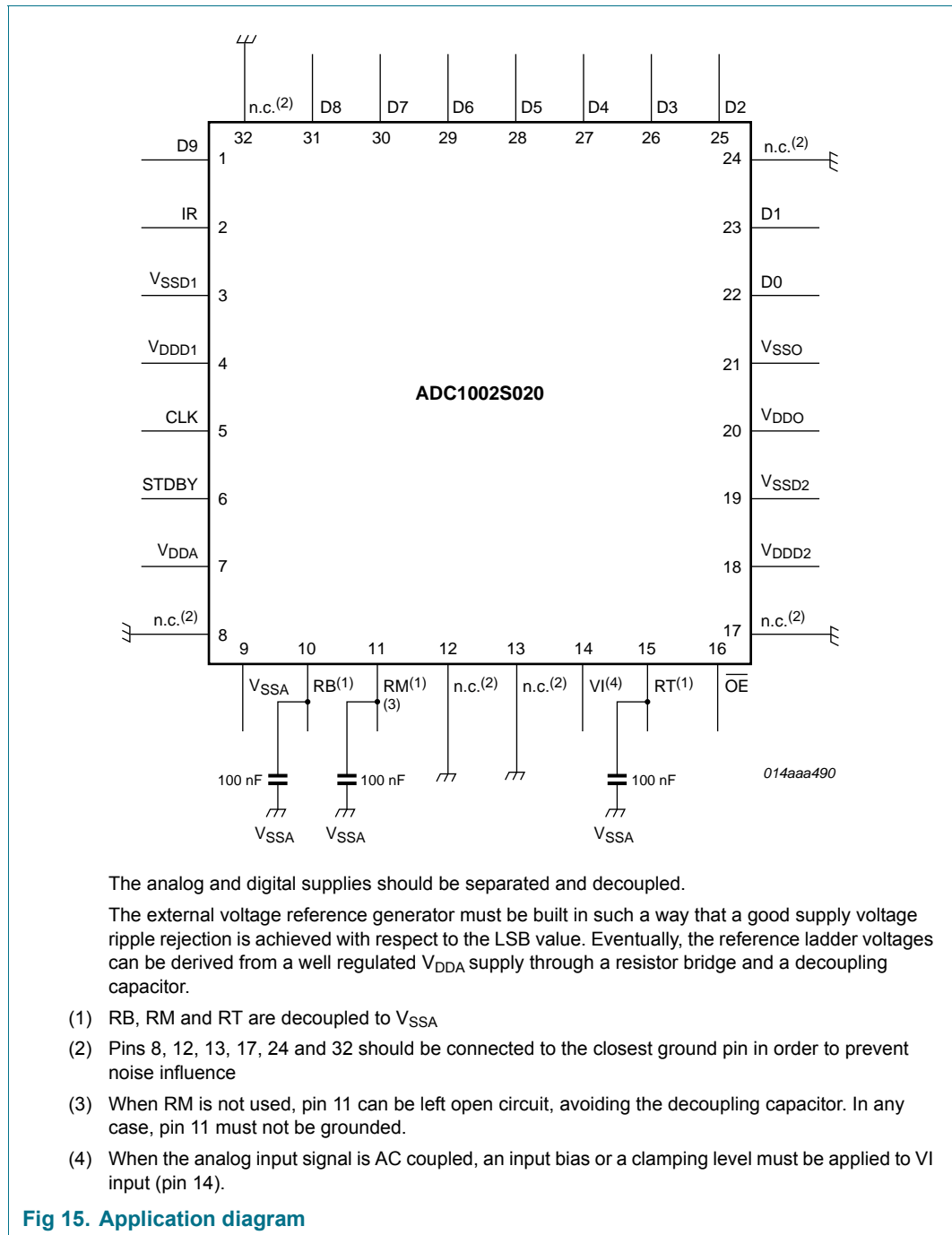


Fig 15. Application diagram

13. Package outline

LQFP32: plastic low profile quad flat package; 32 leads; body 5 x 5 x 1.4 mm

SOT401-1

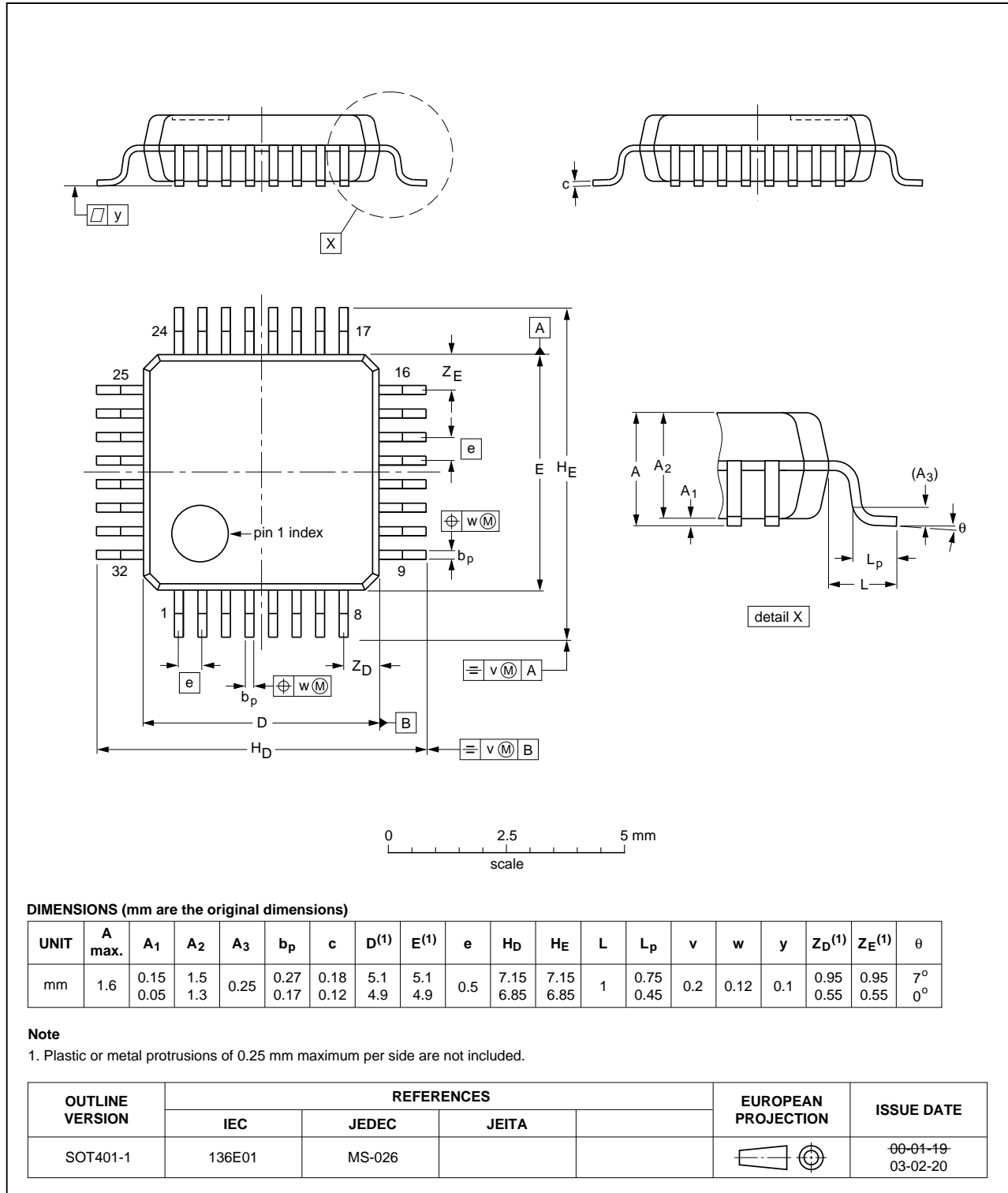


Fig 16. Package outline SOT401-1 (LQFP32)

14. Revision history

Table 10. Revision history

Document ID	Release date	Data sheet status	Change notice	Supersedes
ADC1002S020_3	20120702	Product data sheet	-	ADC1002S020_2
ADC1002S020_2	20080813	Product data sheet	-	ADC1002S020_1
Modifications:	• Corrections made to cross references and note 3 a) in Table 6.			
ADC1002S020_1	20080612	Product data sheet	-	-

15. Contact information

For more information or sales office addresses, please visit: <http://www.idt.com>

16. Contents

1	General description	1	9	Thermal characteristics	5
2	Features	1	10	Characteristics	6
3	Applications	1	11	Additional information relating to Table 6 ...	9
4	Quick reference data	2	12	Application information	15
5	Ordering information	2	12.1	Application diagram	15
6	Block diagram	3	13	Package outline	16
7	Pinning information	4	14	Revision history	17
7.1	Pinning	4	15	Contact information	17
7.2	Pin description	4	16	Contents	18
8	Limiting values	5			