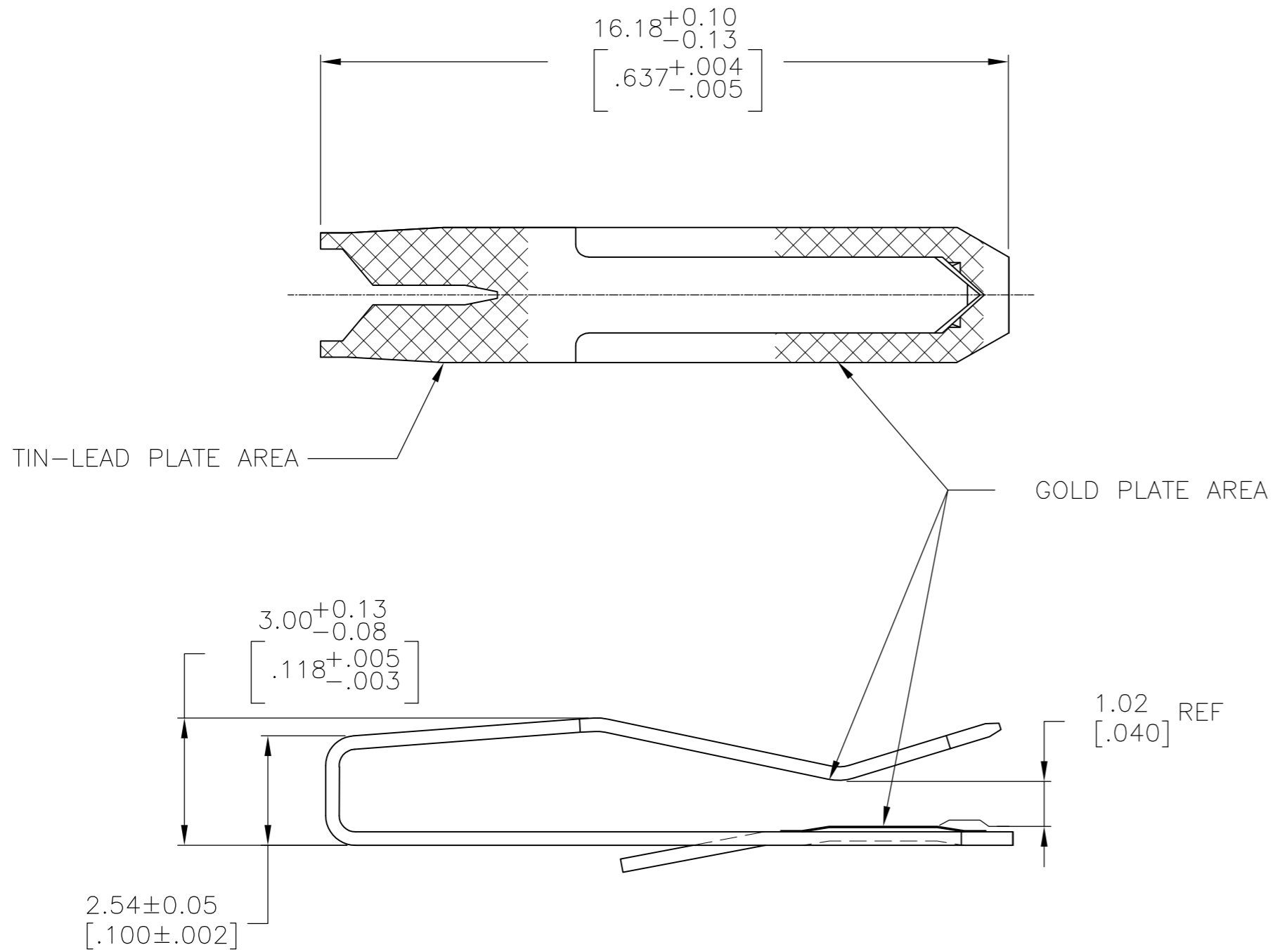


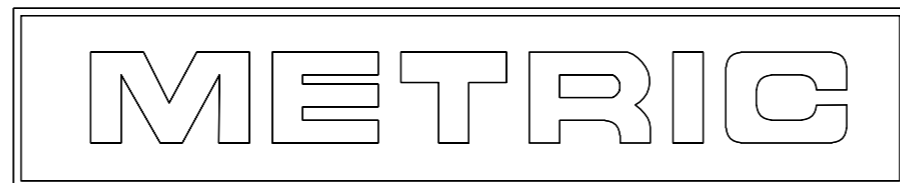
THIS DRAWING IS UNPUBLISHED. RELEASED FOR PUBLICATION  
 © COPYRIGHT BY TYCO ELECTRONICS CORPORATION. ALL RIGHTS RESERVED.

LOC	DIST	REVISIONS					
CM	00	P	LTR	DESCRIPTION	DATE	DWN	APVD
		C		ECO-08-001888	28JAN08	KW	DB
		C1		REVISED PER ECO-09-023313	13OCT09	KK	AEG



1. DIMENSIONS IN BRACKETS ARE IN INCHES.
- △ 0.00038 [.000015] MIN THICK GOLD IN THE GOLD PLATE AREA OVER 0.00127 [.000050] MIN THICK NICKEL.
- △ 0.00076 [.000030] MIN THICK GOLD IN THE GOLD PLATE AREA OVER 0.00127 [.000050] MIN THICK NICKEL.
- △ 0.00203 [.000080] MIN THICK TIN-LEAD IN THE TIN-LEAD PLATE AREA OVER 0.00127 [.000050] MIN THICK NICKEL.
- △ MATTE TIN 0.00203(.000080) MIN THICK IN TIN PLATED AREA.
- △ OBSOLETE PARTS: OBSOLETE CIS STREAMLINING PER D.RENAUD/D.SINISI

SUPERSEDED △ 6	△ 3 △ 5	641145-4
	△ 2 △ 5	641145-3
	△ 3 △ 4	641145-2
	△ 2 △ 4	641145-1
	FINISH	PART NO



THIS DRAWING IS A CONTROLLED DOCUMENT.		DWN	25OCT2005	Tyco Electronics Corporation Harrisburg, PA 17105-3608	
DIMENSIONS: mm [INCHES]		CHK	25OCT2005	NAME	
TOLERANCES UNLESS OTHERWISE SPECIFIED:		D. BOSSI		CONTACT, GOLD STRIPE, 22 AWG WIRE, LOOSE PIECE, MTA 156	
0 PLC ± -		D. BOSSI		SIZE	
1 PLC ± -		25OCT2005		CAGE CODE	
2 PLC ± -		PRODUCT SPEC		DRAWING NO	
3 PLC ± 0.13[.500]		APPLICATION SPEC		RESTRICTED TO	
4 PLC ± -		WEIGHT		A2 00779 C=641145	
ANGLES ± -		CUSTOMER DRAWING		SCALE 8:1 SHEET 1 OF 1 REV C1	
MATERIAL 0.30[.012] THK COPPER ALLOY		FINISH SEE TABLE			