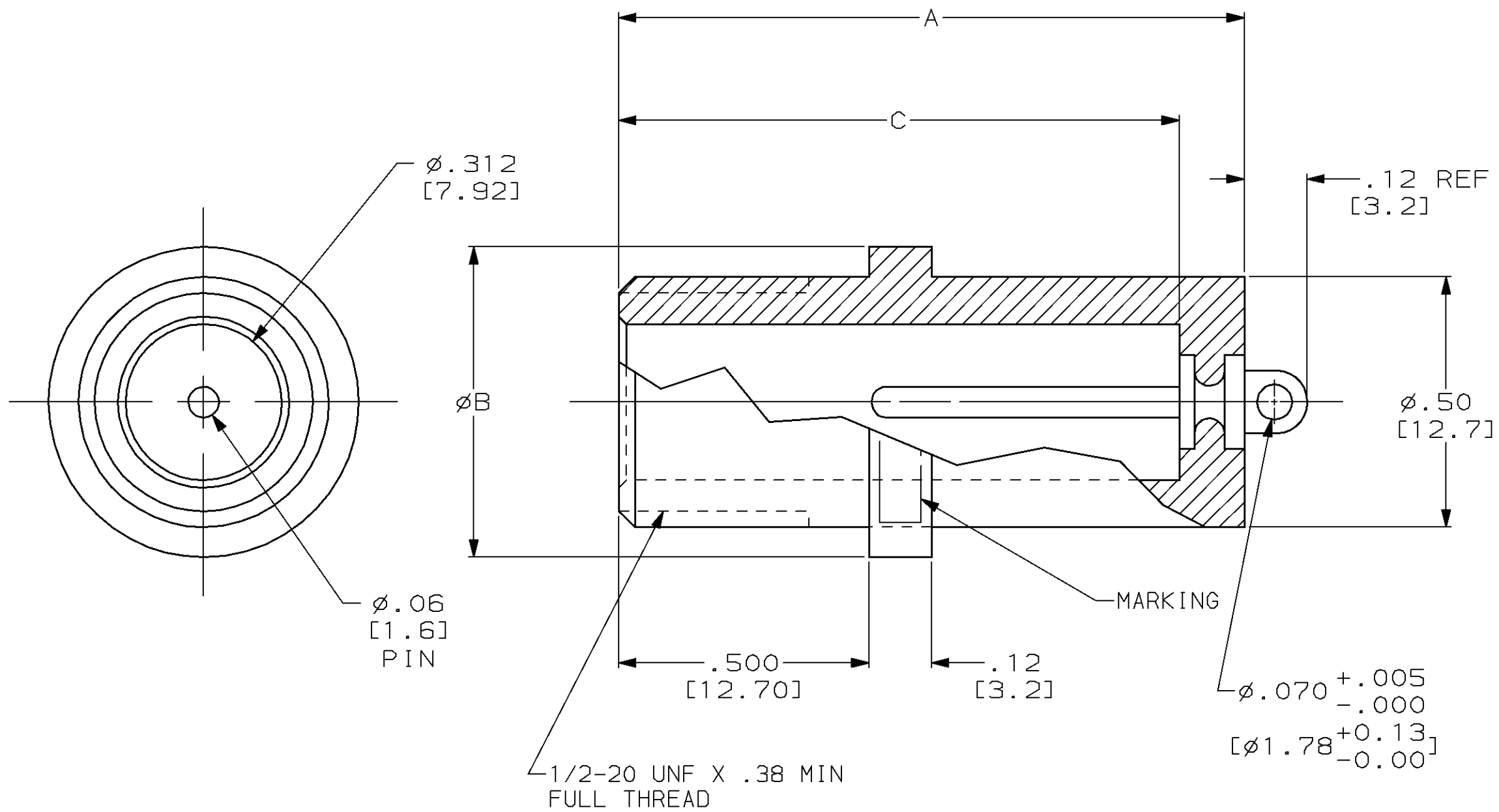


THIS DRAWING IS UNPUBLISHED. RELEASED FOR PUBLICATION
 BY AMP INCORPORATED. ALL RIGHTS RESERVED.

LOC	DIST	REVISIONS			
P	LTR	DESCRIPTION	DATE	DWN	APVD
DF	SO				
N		REV PER 0600-6634-97	02SEP98	TT	SG



1. RECEPTACLE TO MATE WITH AMP LGH-1 LEAD ASSEMBLY, AVAILABLE SEPARATELY.

OBSOLETE	1.00 [25.4]	.75 [19.1]	1.12 [28.4]	X	-	1-838960-6
OBSOLETE	1.00 [25.4]	.75 [19.1]	1.12 [28.4]	-	X	1-838960-5
OBSOLETE	1.12 [28.4]	.75 [19.1]	1.25 [31.8]	X	-	1-838960-4
OBSOLETE	1.12 [28.4]	.75 [19.1]	1.25 [31.8]	-	X	1-838960-3
OBSOLETE	.75 [19.1]	.75 [19.1]	.88 [22.4]	X	-	1-838960-2
OBSOLETE	.75 [19.1]	.75 [19.1]	.88 [22.4]	-	X	1-838960-1
OBSOLETE	.88 [22.4]	.75 [19.1]	1.00 [25.4]	X	-	1-838960-0
OBSOLETE	.88 [22.4]	.75 [19.1]	1.00 [25.4]	-	X	838960-9
OBSOLETE	1.00 [25.4]	.62 [15.7]	1.12 [28.4]	X	-	838960-8
OBSOLETE	1.00 [25.4]	.62 [15.7]	1.12 [28.4]	-	X	838960-7
OBSOLETE	1.12 [28.4]	.62 [15.7]	1.25 [31.8]	X	-	838960-6
OBSOLETE	1.12 [28.4]	.62 [15.7]	1.25 [31.8]	-	X	838960-5
OBSOLETE	.75 [19.1]	.62 [15.7]	.88 [22.4]	X	-	838960-4
OBSOLETE	.75 [19.1]	.62 [15.7]	.88 [22.4]	-	X	838960-3
OBSOLETE	.88 [22.4]	.62 [15.7]	1.00 [25.4]	X	-	838960-2
OBSOLETE	.88 [22.4]	.62 [15.7]	1.00 [25.4]	-	X	838960-1

DIM C	DIM B	DIM A	PIN GOLD	PIN TIN	PART NUMBER
THIS DRAWING IS A CONTROLLED DOCUMENT.					
DIMENSIONS: IN (MM)		TOLERANCES UNLESS OTHERWISE SPECIFIED:		AMP Incorporated Harrisburg, PA 17105-3608	
0 PLC ±-		1 PLC ±-		NAME S. GLATFELTER	
2 PLC ±.02 [0.5]		3 PLC ±.005 [0.13]		PRODUCT SPEC -	
4 PLC ±-		ANGLES ±-		APPLICATION SPEC -	
FINISH -		WEIGHT -		SIZE A2 CAGE CODE 00779 DRAWING NO 838960 RESTRICTED TO -	
CUSTOMER DRAWING			SCALE 4:1 SHEET 1 OF 1 REV N		