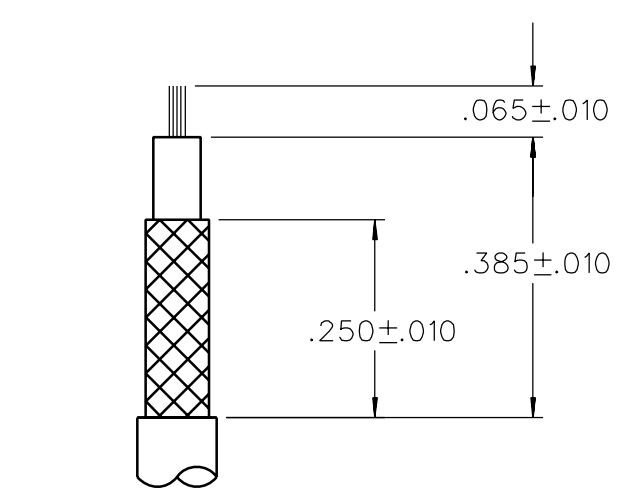
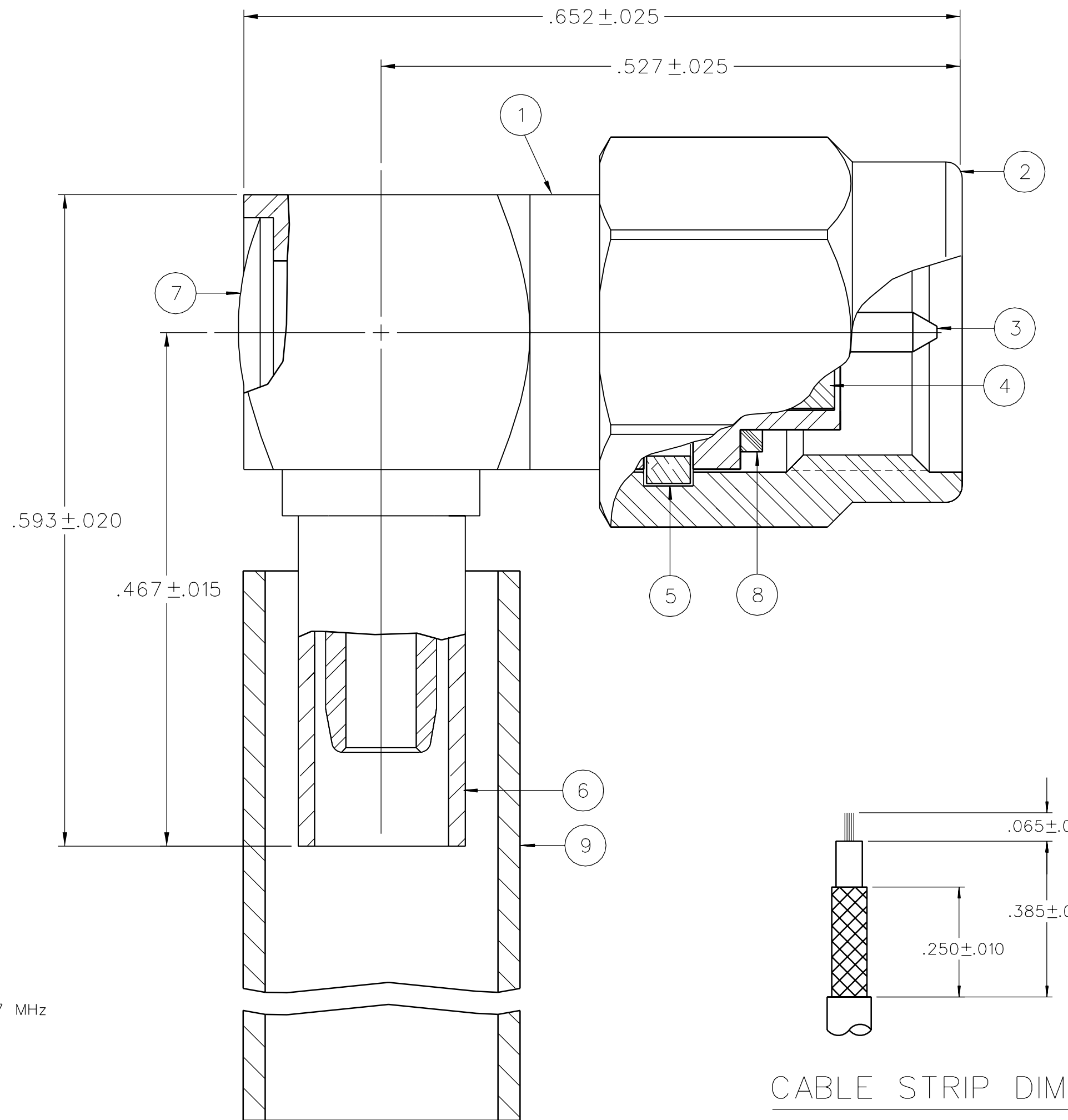
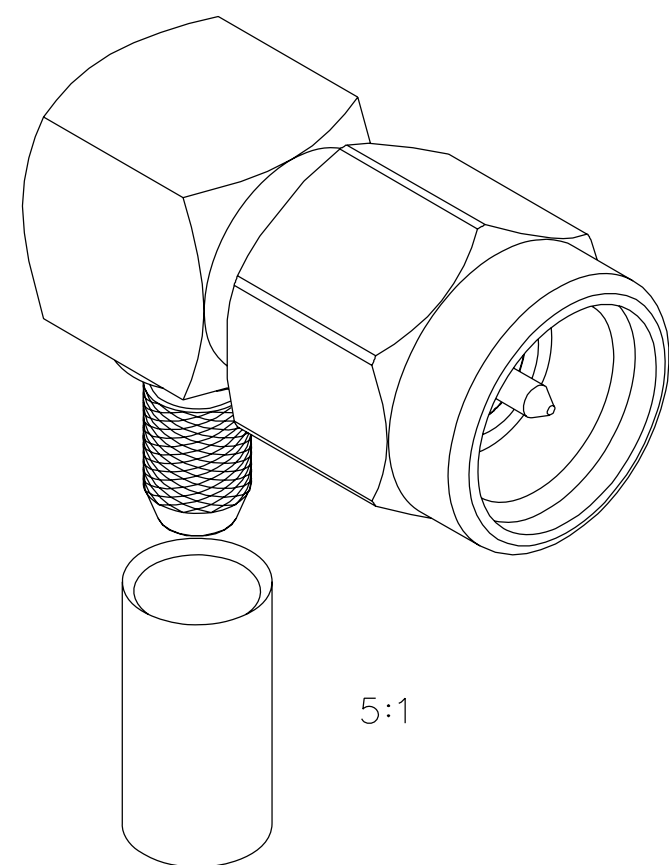


PART NUMBER	ITEM ① BODY	ITEM ② NUT	ITEM ③ CONTACT	ITEM ④ INSULATOR	ITEM ⑤ RETENTION SPRING	ITEM ⑥ CRIMP SLEEVE	ITEM ⑦ END CAP
141-0403-101	STAINLESS STEEL PASSIVATED	STAINLESS STEEL GOLD PL .00001 MIN OVER NICKEL PL .00005 MIN	BRASS GOLD PL .00005 MIN OVER NICKEL PL .00005 MIN OVER COPPER PL .00005 MIN	TEFLON	BERYLLIUM COPPER UNPLATED	COPPER GOLD PL .00001 MIN OVER NICKEL PL .00005 MIN OVER COPPER PL .00005 MIN	BRASS GOLD PL .00001 MIN OVER NICKEL PL .00005 MIN OVER COPPER PL .00005 MIN
141-0403-102	STAINLESS STEEL PASSIVATED	STAINLESS STEEL PASSIVATED	BRASS GOLD PL .00005 MIN OVER NICKEL PL .00005 MIN OVER COPPER PL .00005 MIN	TEFLON	BERYLLIUM COPPER UNPLATED	COPPER NICKEL PL .0001 MIN OVER COPPER PL .00005 MIN	BRASS NICKEL PL .0001 MIN OVER COPPER PL .00005 MIN

PART NUMBER	ITEM ⑧ GASKET	ITEM ⑨ HEAT SHRINK
141-0403-101	SILICONE	POLYOLEFIN COLOR: BLACK
141-0403-102	SILICONE	POLYOLEFIN COLOR: BLACK



CABLE STRIP DIMENSIONS
4:1

DRAWING NO.	C - 141-0403-101/110	
0	REVISIONS	
ENGINEERING RELEASE		
01	05-03-90	EJ RJA 5-11-90 J B W ECO 24552
UPDATED TO THICKWALL BODY, INSULATOR AND CONTACT		
02	03-09-91	D V T R J A 3-20-91 W B E T A K B W ECO 40033
CHANGED: RF LEAK 2.5 GHz WAS 2 TO 3 GHz, RF HIGH POT 4 AND 7 MHZ WAS 5 TO 7.5 MHZ		
3	12-2-93	R H T R J A H K B W ECO 42104
VERSION UPDATE		
4	4-18-06	P S R P D 5-19-06 A T D B W ECN 50390
.250 WAS .281, .385 WAS .390, .065 WAS .070 ***** * REVISION NUMBER FOLLOWED BY AN ALPHA * * CHARACTER INDICATES DRAWING CLARIFI- * * CATION OR PART NUMBER ADDITION ONLY. * *****		
4a	9-21-06	P S T A 12-4-06 A T D K W ECN 50733
UPDATED VIEWS		
5	10-22-08	P R R M J C 10-21-08 T B T U N ECN 51674

NOTES:

1. SPECIFICATIONS:

IMPEDANCE: 50 OHMS
 FREQUENCY RANGE: 0-12.4 GHz
 VSWR: 1.15+.03 F MAX (F IN GHz)
 WORKING VOLTAGE: 250 VRMS MAX AT SEA LEVEL
 DIELECTRIC WITHSTANDING VOLTAGE: 750 VRMS MIN AT SEA LEVEL
 INSULATION RESISTANCE: 5000 MEGOHM MIN
 CONTACT RESISTANCE:
 CENTER CONTACT - INITIAL 4.0 MILLIOHM MAX, AFTER ENVIRONMENTAL 6.0 MILLIOHM MAX
 OUTER CONDUCTOR - INITIAL 2.0 MILLIOHM MAX AFTER ENVIRONMENTAL NOT APPLICABLE
 BODY TO CABLE - 0.5 MILLIOHM MAX (GOLD PLATED) 5.0 MILLIOHM MAX (PASSIVATED)
 CORONA LEVEL: 190 VOLTS MIN AT 70,000 FEET
 INSERTION LOSS: .15√F (F IN GHz) AT 6 GHz
 RF LEAKAGE: -60 DB MIN AT 2.5 GHz
 RF HIGH POTENTIAL WITHSTANDING VOLTAGE: 500 VRMS MIN AT 4 AND 7 MHZ

MECHANICAL:

ENGAGE/DISENGAGE TORQUE: 2 INCH-POUNDS MAX
 MATING TORQUE: 7-10 INCH POUNDS
 COUPLING PROOF TORQUE: 15 INCH-POUNDS MIN
 COUPLING NUT RETENTION: 60 LBS MIN
 CONTACT RETENTION: 6 LBS MIN
 CABLE ACCEPTABILITY: RG 188/U, RG 316/U, RG 161/U, RG 174/U
 CABLE HEX CRIMP SIZE: .128
 CABLE RETENTION: 20 LBS MIN AXIAL FORCE
 DURABILITY: 500 CYCLES MIN

ENVIRONMENTAL:

(MEETS OR EXCEEDS THE APPLICABLE PARAGRAPH OF MIL-PRF-39012)
 THERMAL SHOCK: MIL-STD-202, METHOD 107, CONDITION B EXCEPT 85°C HIGH TEMP
 OPERATING TEMPERATURE: -65 DEG C TO 165 DEG C
 CORROSION: MIL-STD-202, METHOD 101, CONDITION B
 SHOCK: MIL-STD-202, METHOD 213, CONDITION I
 VIBRATION: MIL-STD-202, METHOD 204, CONDITION D
 MOISTURE RESISTANCE: MIL-STD-202, METHOD 106

CUSTOMER DRAWING
 THIS DRAWING TO BE INTERPRETED
 PER ASME Y 14.5M - 1994
 "μSTATION"
 COMPANY CONFIDENTIAL

TOLERANCE UNLESS OTHERWISE SPECIFIED	DRAWN BY EJ	DATE 10-24-89		Cinch Connectivity Solutions P.O. Box 1732 Waseca, MN 56093 1-800-247-8256
DECIMALS mm	CHECKED BY	DATE		
.XX			TITLE	PLUG ASSEMBLY, RA CABLED, RG 316 SMA, 50 OHM
.XXX				
MATL	APPROVED BY RJB	DATE 5-4-90	SHEET	DRAWING NO.
FINISH	RELEASE DATE	5-11-90	2 OF 2	C - 141-0403-101/110
	U/M INCH	SCALE 10:1		