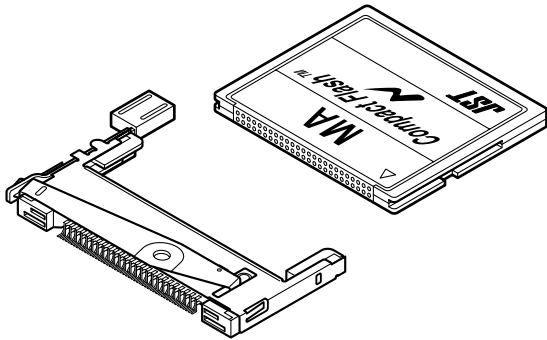




CF CARD CONNECTOR MA Type



1.27mm pitch/50-circuit CF card connector



In addition to the connectors applicable to CF type I cards, those for CF type II cards are also available.

- **Socket / Dual-row straddle type, SMT type**
- **Card frame / for type I cards**
- **Adapter / for type I, II cards**
- **Header / for type I, II cards**
- **Ejector / for type I, II cards**

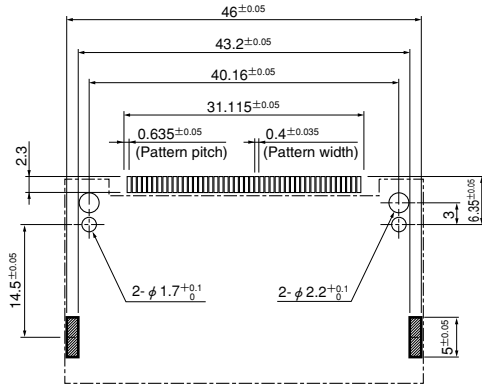
Specifications

- Pitch: 1.27mm
- Type: Dual-row at mating section
- Current rating: 0.5A AC, DC/line
- Temperature range: -20°C to +60°C
(including temperature rise in applying electrical current)
- Contact resistance: Initial value/40m Ω max.
After environmental testing/20m Ω max.
(variation from initial value)
- Insulation resistance: 1,000M Ω min. 500V DC (Except for Adapter cards)
- Withstanding voltage: 500V AC/minute (Except for Adapter cards)
- Mating/unmating life: 10,000 cycles
- Conforms to CFA.
- * Compliant with RoHS.
- * Refer to "General Instruction and Notice when using Terminals and Connectors" at the end of this catalog.
- * Contact JST for details.

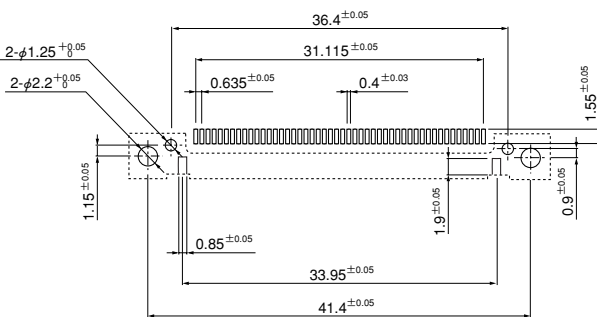
CF CARD CONNECTOR MA Type

PC board layout (viewed from component side)

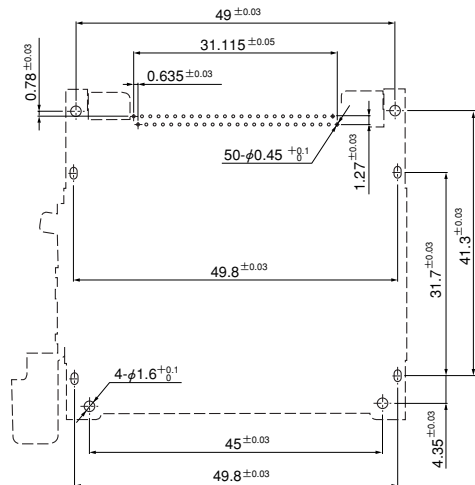
For Type I cards/Stand off 1.64mm
Normal type/Reverse type



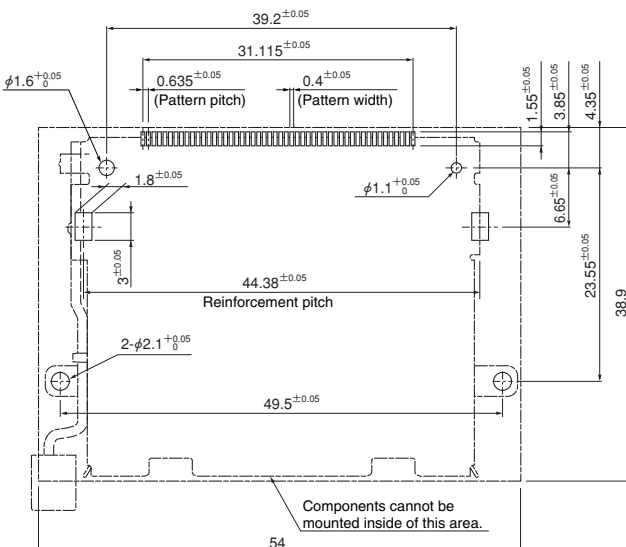
Space-saving type For Type I cards/Stand off 0mm
Normal type/Reverse type



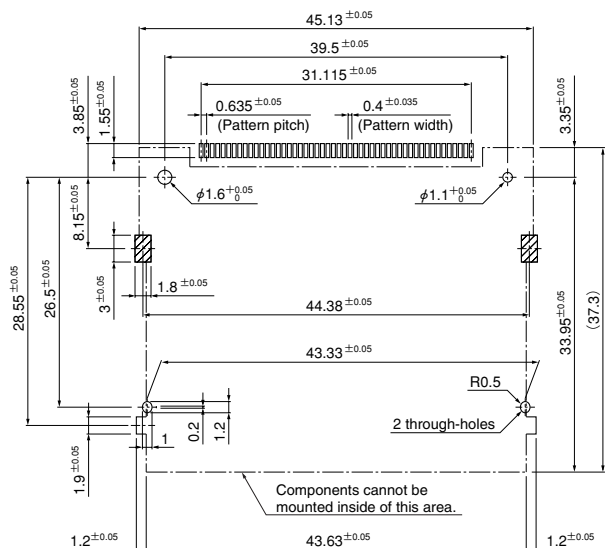
Ejector mounted header with shutter For Type II cards
Reverse type (Stand off 0mm)



Space-saving type For Type II cards/Stand off 0mm
Normal type



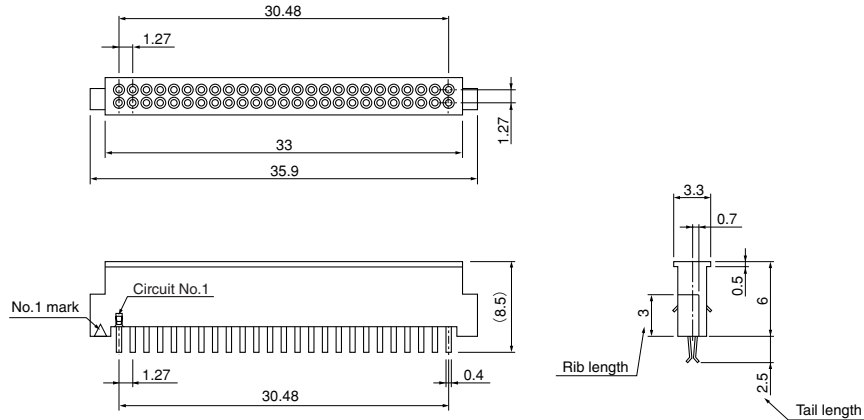
Reverse type



CF CARD CONNECTOR MA Type

Socket

Dual-row straddle type

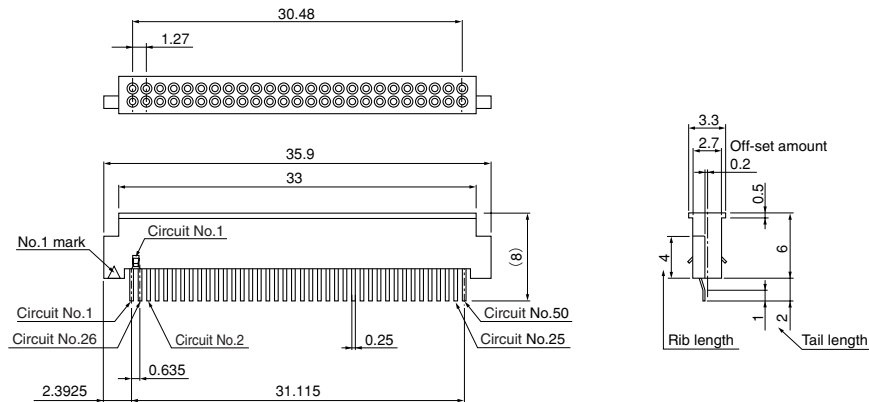


Circuits	Solder tail	Grounding spring	Off-set dimension	Rib length (mm)	Tail length (mm)	Model No.	Qty / box	Material and Finish
50	Dual-row straddle type	With (Circuit No.1, No.26)	Center	3.0	2.5	ICM-MA50S-TS12-3032	600	Contact: Copper-alloy, nickel-undercoated, Mating part; gold-plated Solder tail; tin-plated (reflow treatment) Grounding spring: Copper alloy, nickel-undercoated, gold-plated Housing: LCP, UL94V-0, black

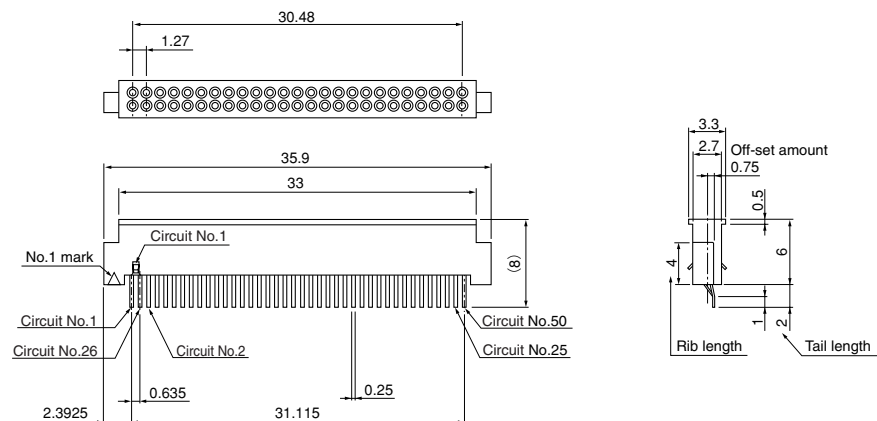
RoHS compliance This product displays (LF)(SN) on a label.

SMT type

ICM-MA50S-TS12-3021



ICM-MA50S-TS12-3022

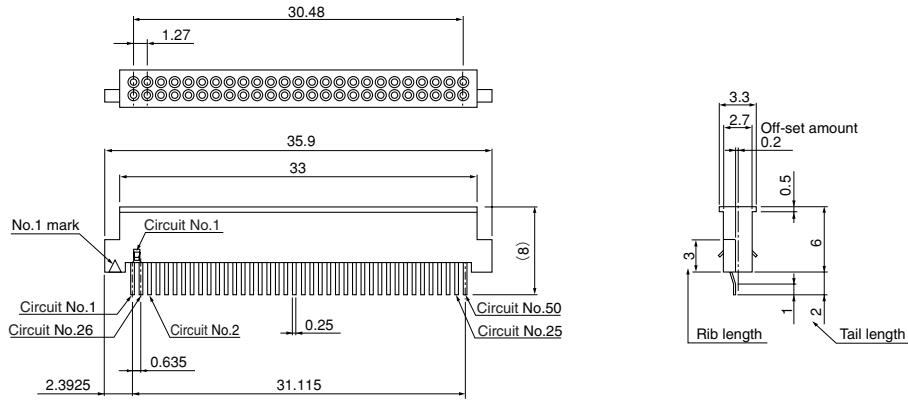


CF CARD CONNECTOR MA Type

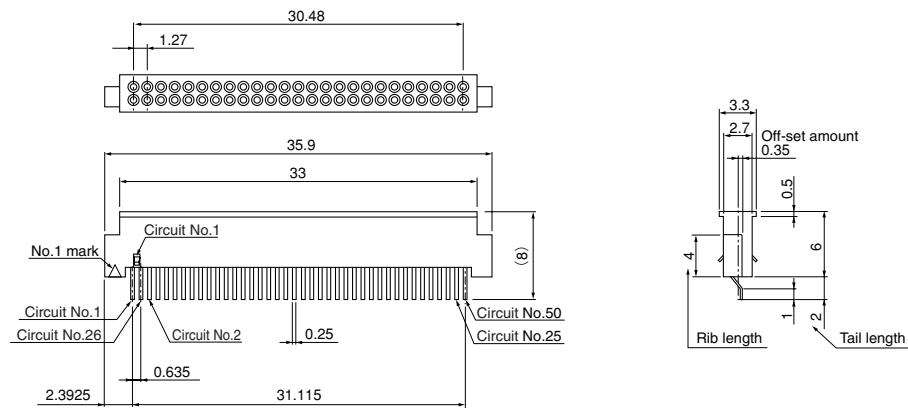
Socket

SMT type

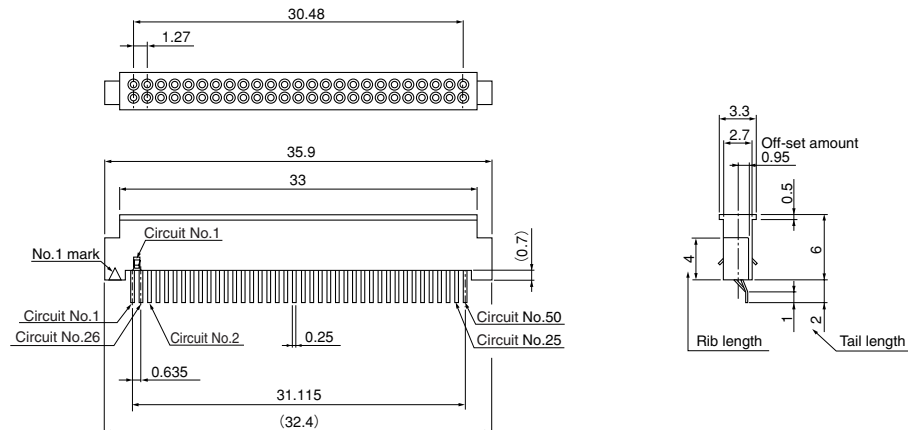
ICM-MA50S-TS12-3023



ICM-MA50S-TS12-3024



ICM-MA50S-TS12-3026



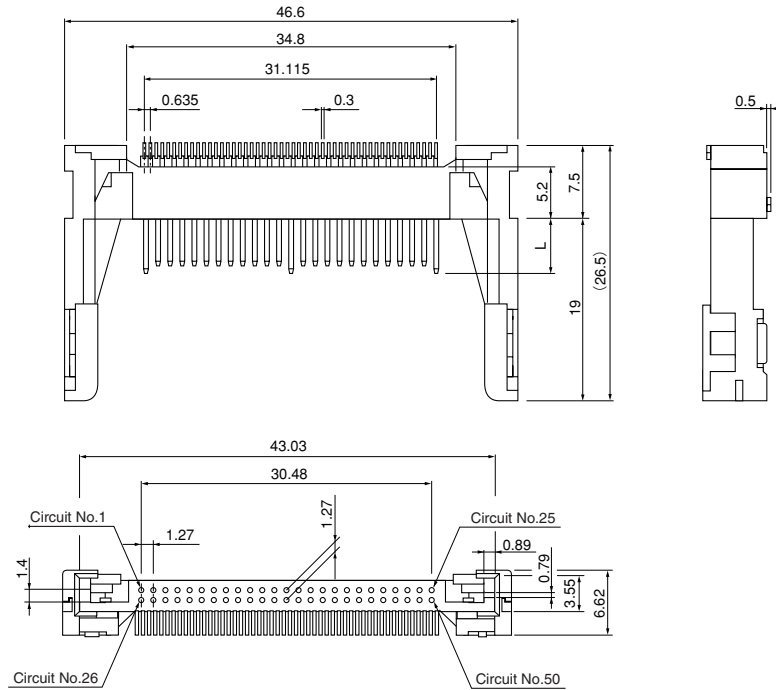
Circuits	Solder tail	Grounding spring	Off-set dimension(mm)	Rib length (mm)	Tail length (mm)	Model No.	Q'ty / reel	Material and Finish
50	SMT type	With (Circuit No.1, No.26)	0.2	4.0	2.0	ICM-MA50S-TS12-3021T	1,500	Contact: Copper alloy, nickel-undercoated, Mating part; gold-plated Solder tail; tin-plated (reflow treatment) Grounding spring: Copper alloy, nickel-undercoated, gold-plated Housing: LCP, UL94V-0, black
			0.75	4.0		ICM-MA50S-TS12-3022T		
			0.2	3.0		ICM-MA50S-TS12-3023T		
			0.35	4.0		ICM-MA50S-TS12-3024T		
			0.95	4.0		ICM-MA50S-TS12-3026T		

RoHS compliance This product displays (LF)(SN) on a label.

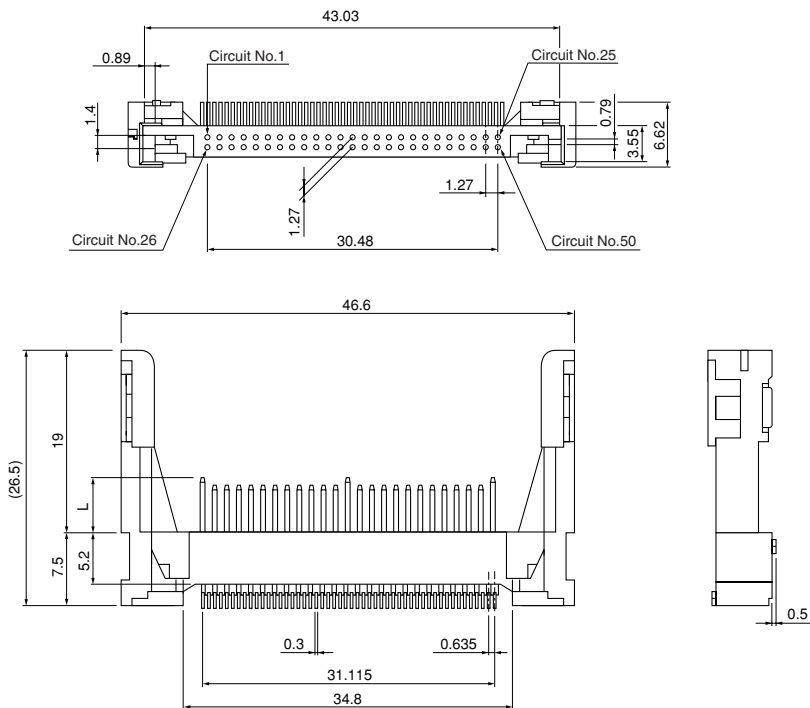
CF CARD CONNECTOR MA Type

Header (for Type I cards)

Normal type (Stand off 1.64mm)



Reverse type (Stand off 1.64mm)



Circuits	Type	Model No.	Q'ty / box	Material and Finish
50	Normal	ICM-MA50H-SS52-1141	140	Contact: Phosphor bronze, nickel-undercoated, Mating part: gold-plated Solder tail: tin-plated (reflow treatment)
	Reverse	ICM-MA50H-SS52-1161		Housing: PPS, UL94V-0 Solder tab: Brass, copper-undercoated, tin-plated (reflow treatment)

Dimension L

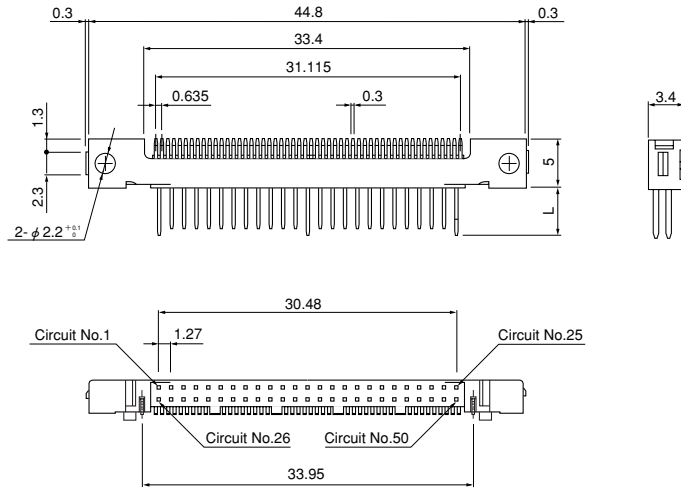
Circuit No.	Dimensions (mm)
1, 13, 38, 50	5.0 ±0.1
2 to 12, 14 to 24, 27 to 37, 39 to 49	4.25 ±0.1
25, 26	3.5 ±0.1

RoHS compliance This product displays (LF)(SN) on a label.

CF CARD CONNECTOR MA Type

Header (for Type I cards) / Space-saving type

Normal , Reverse types
(Stand off 0mm)



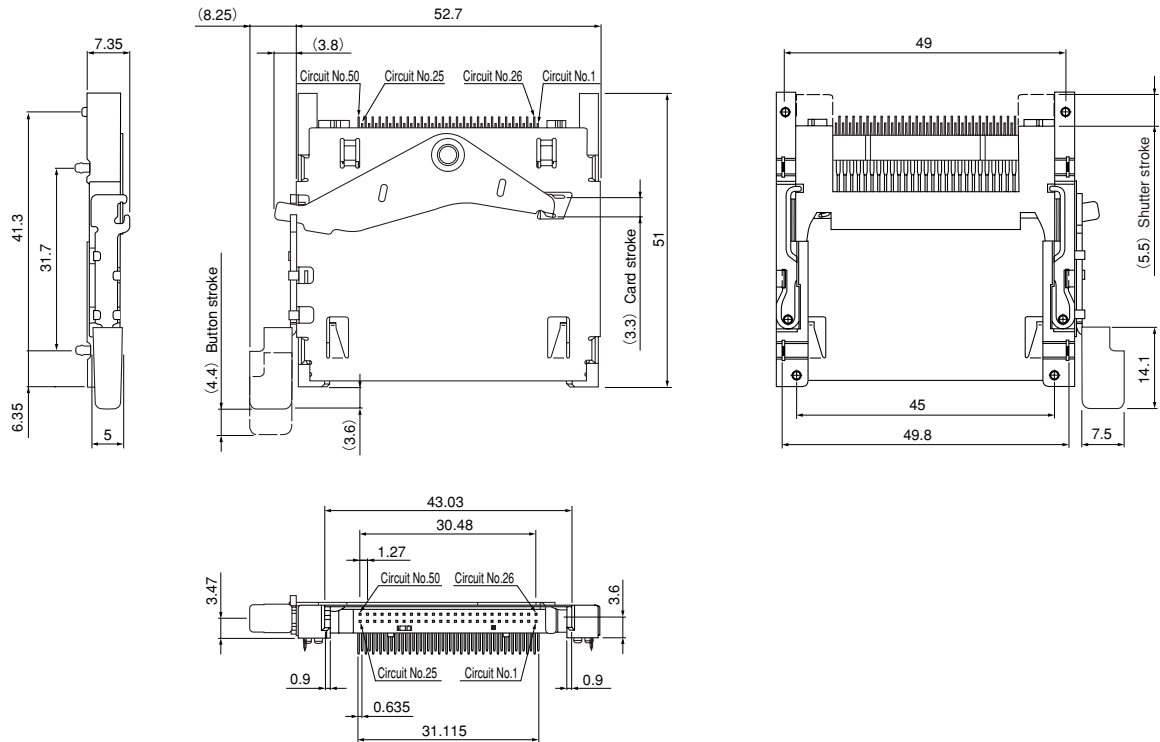
Circuits	Type	Model No.	Q'ty / box	Material and Finish
50	Normal	ICM-MA50H-SS52-1184	1,850	Contact: Copper alloy, nickel-undercoated, Mating part; gold-plated Solder tail; tin-plated (reflow treatment)
	Reverse			Housing: PPS, UL94V-0, black Solder tab: Copper alloy, nickel-undercoated, tin-plated (reflow treatment)

Dimension L	
Circuit No.	Dimensions (mm)
1, 13, 38, 50	5.0 ±0.1
2 to 12, 14 to 24, 27 to 37, 39 to 49	4.25 ±0.1
25, 26	3.5 ±0.1

RoHS compliance This product displays (LF)(SN) on a label.

Ejector mounted header with shutter (for Type II cards)

Reverse type
(Stand off 0mm)



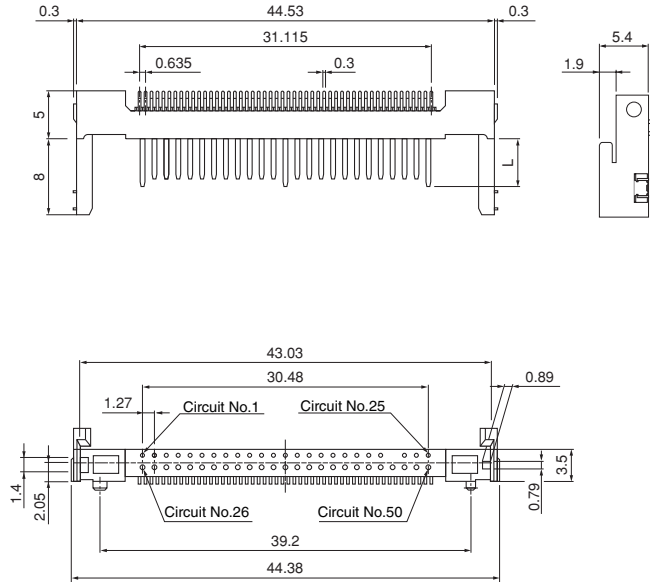
Circuits	Type	Model No.	Q'ty / box	Material and Finish
50	Reverse	ICM-MA2SL-SD12-RL31	128	Contact: Copper alloy, nickel-undercoated, Mating part; gold-plated Solder tail; tin-plated (reflow treatment) Housing/ Guide bar/ Push button: PPS, UL94V-0, black Lock/ Rotation arm/ Push bar: Stainless Frame: Stainless, selective nickel-undercoated, tin/copper alloy-plated

RoHS compliance This product displays (LF)(SN) on a label.

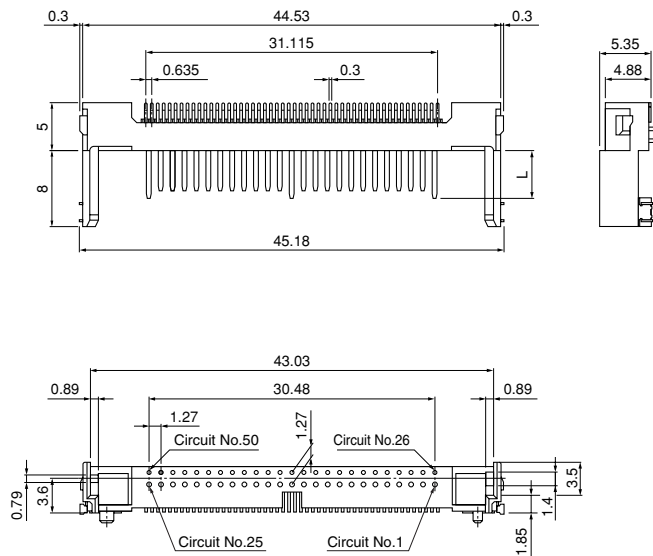
CF CARD CONNECTOR MA Type

Header (for Type II cards) / Space-saving type

Normal type (Stand off 0mm)



Reverse type (Stand off 0mm)



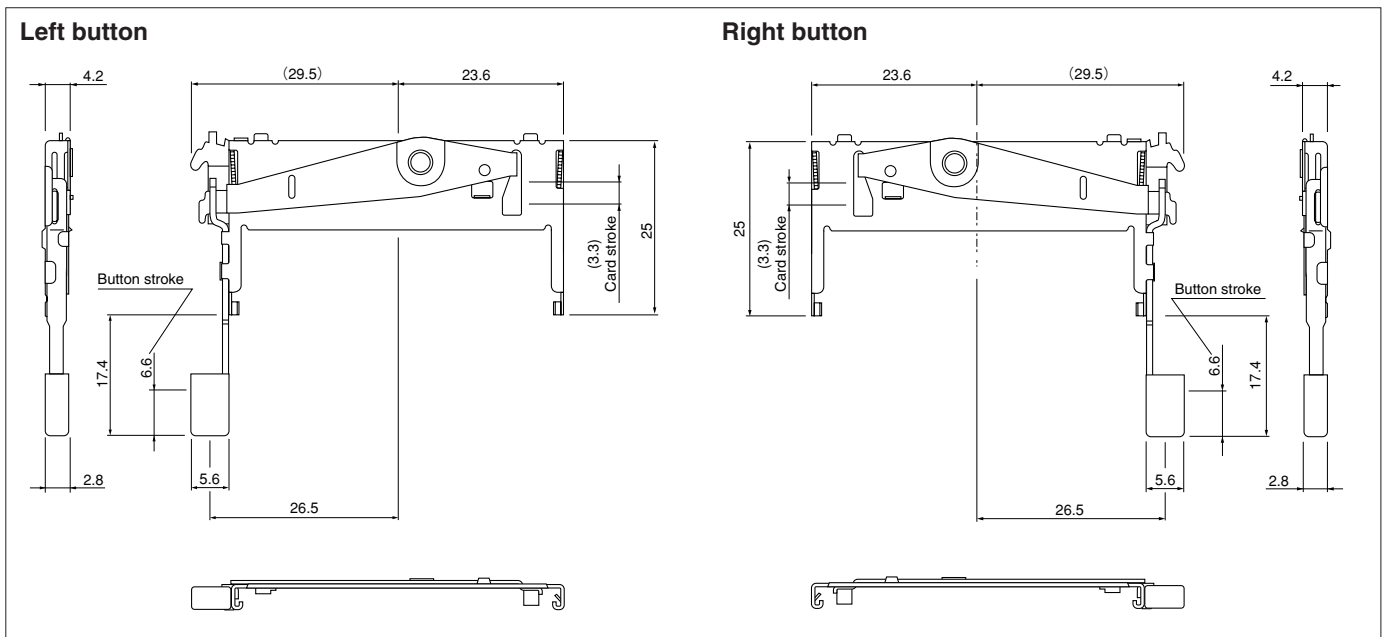
Circuits	Type	Model No.	Q'ty / roll	Material and Finish
50	Normal	ICM-MA2H-SS52-N13LT	750	Contact: Phosphor bronze, nickel-undercoated, Mating part: gold-plated Solder tail: tin-plated (reflow treatment)
	Reverse	ICM-MA2H-SS52-R13HT		Housing: PPS, UL94V-0 Solder tab: Brass, copper-undercoated, tin-plated (reflow treatment)

Dimension L	
Circuit No.	Dimensions (mm)
1, 13, 38, 50	5.0 ±0.1
2 to 12, 14 to 24, 27 to 37, 39 to 49	4.25 ±0.1
25, 26	3.5 ±0.1

RoHS compliance This product displays (LF)(SN) on a label.
This products listed above are supplied on embossed-tape.

CF CARD CONNECTOR MA Type

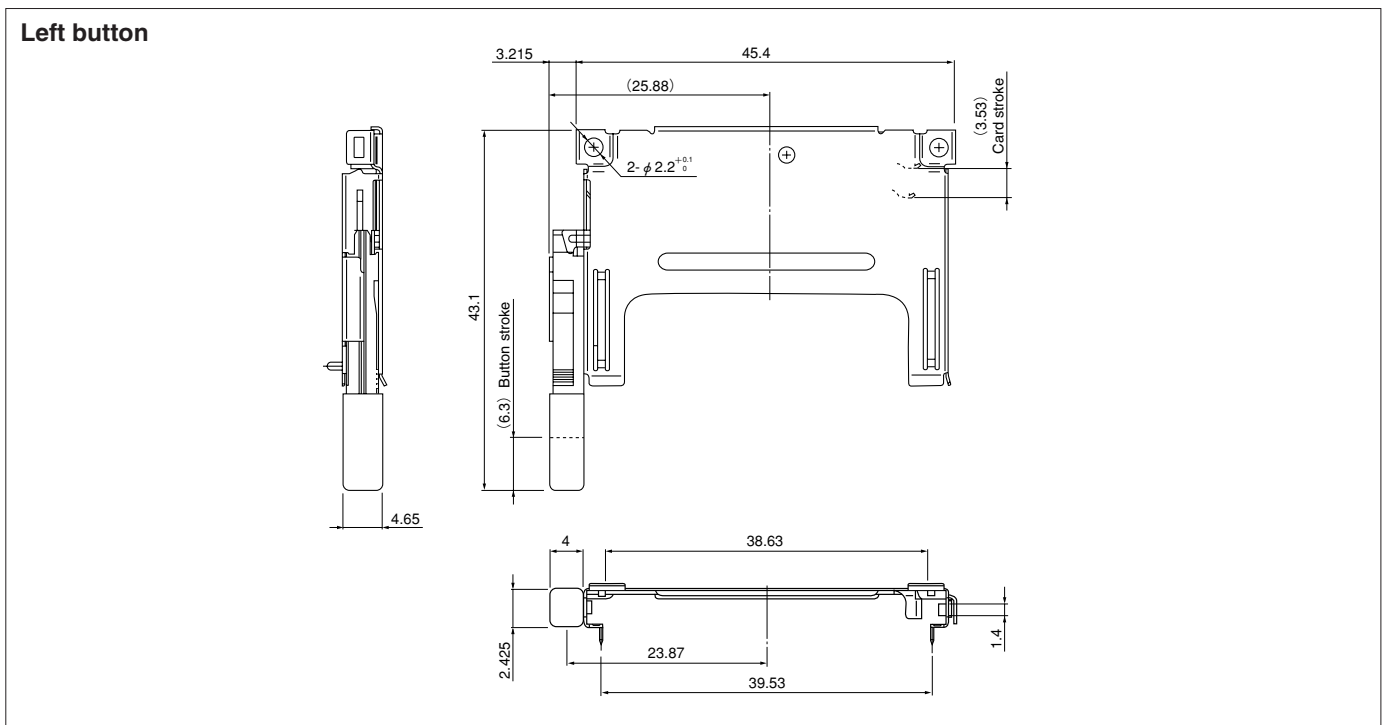
Ejector (for Type I Header)



Type	Model No.	Q'ty / box	Material	Applicable header
Right button	ICM-MAE-R01	100	Frame/ Rotation arm : Stainless Push button: PPS, UL94V-0, black	ICM-MA50H-SS52-1141
Left button	ICM-MAE-L01	100		ICM-MA50H-SS52-1161

RoHS compliance Applicable headers display (LF)(SN) on a label.

Ejector mounted header (for Type I Header) / Space-saving type



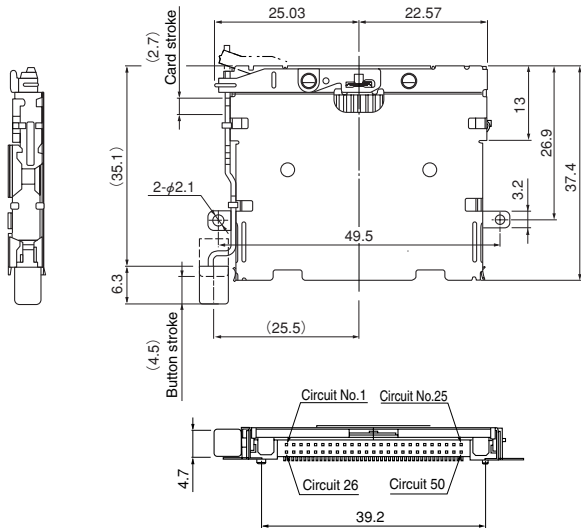
Type	Model No.	Q'ty / box	Material and Finish	Applicable header
Reverse (Left button)	ICM-MAE-L91ND	252	Frame: Stainless, nickel-undercoated, tin/copper alloy-plated Rotation arm: Stainless Push button: Synthetic resin, UL94V-0, gray	ICM-MA50H-SS52-1184

RoHS compliance This product displays (LF) on a label.
An applicable header displays (LF)(SN) on a label.

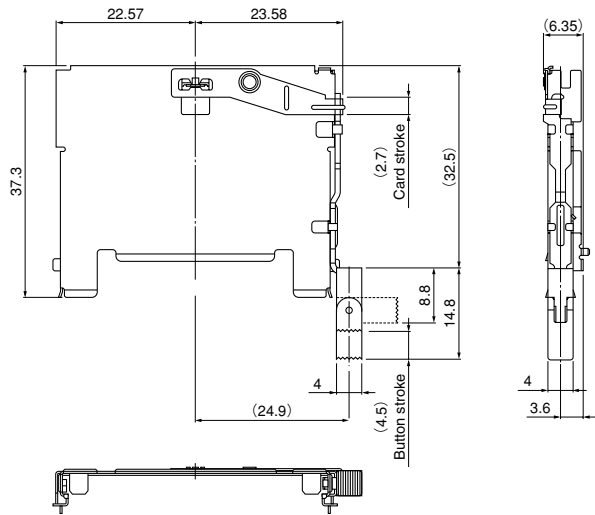
CF CARD CONNECTOR MA Type

Ejector (for Type II header) / Space-saving type

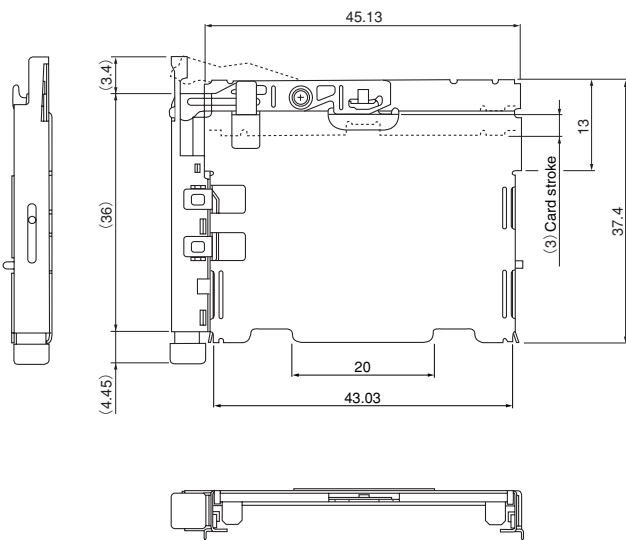
For Normal type header
(Stand off 0mm) Left button



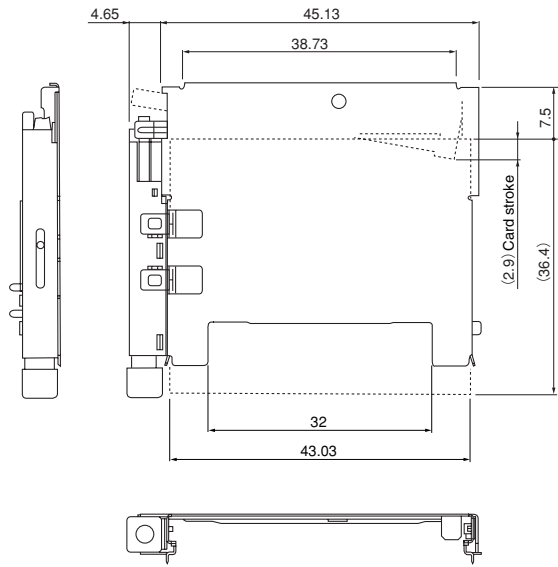
For Reverse type header
(Stand off 0mm) Right button



For Normal type header
(Stand off 0mm) Left button/Push-push type



For Reverse type header
(Stand off 0mm) Left button/Push-push type



Type	Model No.	Qty / box	Material and Finish	Applicable header
For Normal type header (Stand off 0mm) Left button	ICM-MAE-L73FA	36	Rotation arm/Push bar/Push plate/ Frame: Stainless Button: PBT, UL94V-0, gray	ICM-MA2H-SS52-N13L ICM-MA2H-SS52-N13LT
For Normal type header (Stand off 0mm) Left button, Push-push	ICM-MA2EP-L520A	36	Rotation arm/Push plate: Stainless Button: PBT, UL94V-0, black Frame: Stainless, selective nickel-undercoated, tin/copper alloy-plated	
For Reverse type header (Stand off 0mm) Right button	ICM-MAE-R66C3	36	Rotation arm/Push bar/Push plate/ Frame: Stainless Clinched button: Synthetic resin, black Frame: Stainless, selective nickel-undercoated, tin/copper alloy-plated	ICM-MA2H-SS52-R13HT
For Reverse type header (Stand off 0mm) Left button, Push-push	ICM-MA2EP-L810E	36	Arm: Stainless Push button: Synthetic resin, UL94V-0, black Frame: Stainless, selective nickel-undercoated, tin/copper alloy-plated	

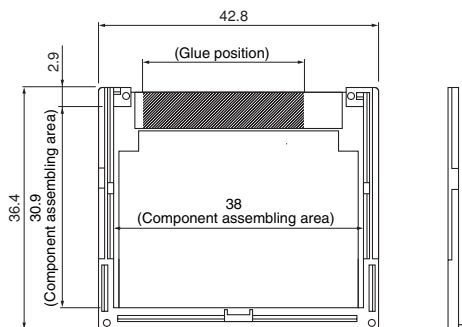
RoHS compliance ICM-MAE-R66C3 display (LF) on a label.
ICM-MA2EP-L520A/ICM-MA2EP-L810E display (LF) on a label.
Applicable headers display (LF)(SN) on a label.

CF CARD CONNECTOR MA Type

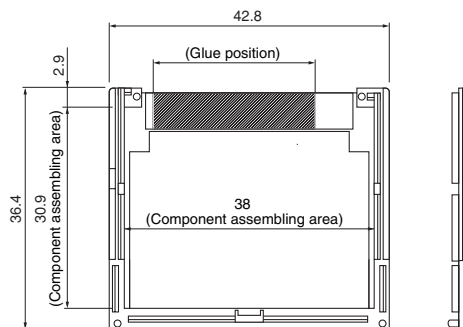
Card frame (for Type I cards)

ICM-MA50F-A/B-FB-C

Frame A



Frame B



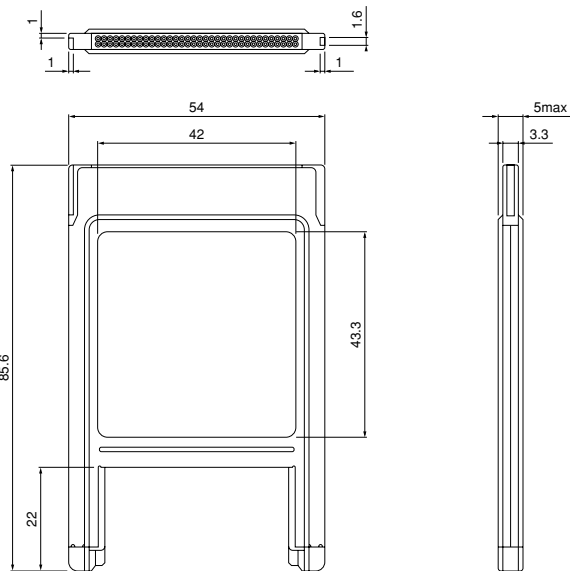
Circuits	Model No. as a set (Frame A + Frame B)	Applicable socket	Q'ty / box	Material
50	ICM-MA50F-A/B-FB-CA	ICM-MA50S-TS12-3032	150	Frame: Glass-filled PBT, UL94V-0 Cover: Stainless
		ICM-MA50S-TS12-3023T		

RoHS compliance

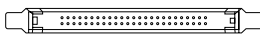
Adapter card

For CF Type I cards (PC card 5V key)

68-circuits side



50-circuits side



Model No.	Q'ty / box	Material and Finish		
ICM-MA50A-C441N	48	50-circuits side Header	Contact: Copper alloy, nickel-undercoated, Mating part: gold-plated Solder tail; tin-plated (reflow treatment) Housing: PPS, UL94V-0	Cover: Stainless Frame: PBT, UL94V-0 PC board: Glass-epoxy, UL94V-0
		68-circuits side Socket	Contact: Copper alloy, nickel-undercoated, Mating part: gold-plated Solder tail; tin-plated (reflow treatment) Housing: LCP, UL94V-0 Grounding spring: Copper alloy, nickel-undercoated, gold-plated	

RoHS compliance This product displays (LF)(SN) on a label.

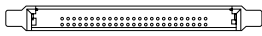
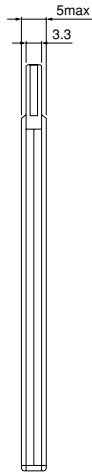
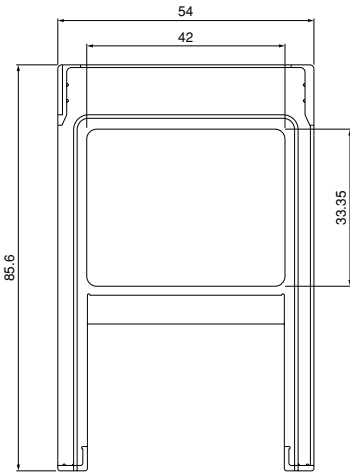
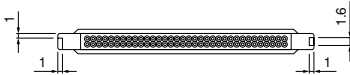
CF CARD CONNECTOR MA Type

Adapter card

For CF Type II cards
(PC card 5V key
with grounding clip spring)

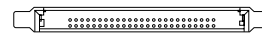
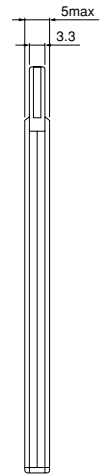
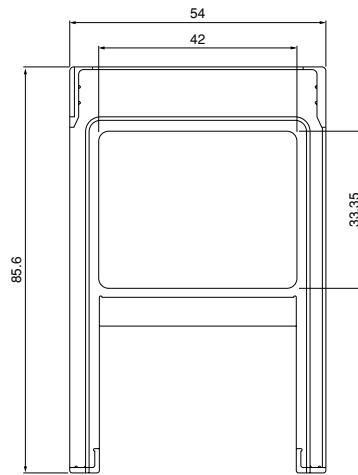
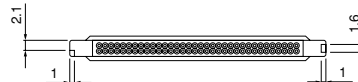
For CF Type II cards
(PC card 3.3V key
with grounding clip spring)

68-circuits side



50-circuits side

68-circuits side



50-circuits side

Model No.	Q'ty / box	Material and Finish		
ICM-MA2A-CL454N ICM-MA2A-C454N	48	50-circuits side Header	Contact: Copper alloy, nickel-undercoated, Mating part; gold-plated Solder tail; tin-plated (reflow treatment) Housing: PPS, UL94V-0	Cover: Stainless Frame: PBT, UL94V-0 PC board: Glass-epoxy, UL94V-0 Contact spring: Copper alloy Shutter: PPS, UL94V-0 Spring: Stainless Lock: Stainless
		68-circuits side Socket	Contact: Copper alloy, nickel-undercoated, Mating part; gold-plated Solder tail; tin-plated (reflow treatment) Housing: LCP, UL94V-0 Grounding spring: Copper alloy, nickel-undercoated, gold-plated	

RoHS compliance This product displays (LF)(SN) on a label.