

## SUMMARY

### # Wires

Low	19
High	0
Coax	0
Triax	0
Quad	0
Fiber	0
Fluidic	0



*Image is for illustrative purpose only*

### Download

[Request a quote](#)

[Catalog](#)

Series	2F
Termination type	
IP rating	68
Cable Ø	0.00 - 0.00 mm
Matching parts	
Status	
Alternative part	

## TECHNICAL DETAILS

### Mechanics

Shell Style/Model	HE*: Fixed receptacle, nut fixing, for printed circuit (back panel mounting)
Keying	3 keys (beta=165, gamma=30, plug: male contacts, receptacle: female contacts)
Housing Material	Brass (chrome plated) shell and nut, other pieces brass
Cable Fixing	∅ 0 - 0 mm
Variant	P : Watertight

### Performance

Configuration	2F.319 : 19 Low Voltage
Insulator	L: PEEK (UL 94 / V-0/3.2, depends on material thickness)
Rated Current	5 Amps

### Specifications

Contact Type:	Solder
Max. Matings:	5000
Contact Dia.:	0.7 mm (0.028in)
Bucket Dia.:	0.8 mm (0.031in)
Max. Solid Conductor:	0.34 mm <sup>2</sup> (AWG 22)
Max. Stranded Conductor:	0.34 mm <sup>2</sup> (AWG 22)

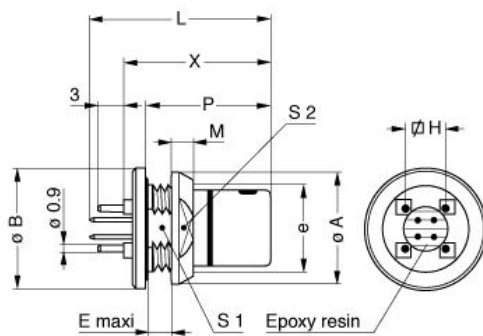
R (max): 6.1 mOhm

## Others

Endurance (Shell): 5000 mating cycles  
Temp (min / max): -50°C / +150°C  
Humidity (max): <=95% [at 60 deg C / 140 F]  
Vibration: 15 g [10 Hz - 2000 Hz]  
Shock Resistance: 100 g [ 6 ms]  
Climatical Category: 50/175/21 (Aluminium shell)  
Pressure: 5 bars  
IP Rating: 68

## DRAWINGS

### Draws



### Dimensions

	A	B	E	H	L	M	P	S1	S2	X	e
mm.	20	20	3	8.89	21.6	4	14.5	14.5	17	17.5	M16x1.0
in.	0,79	0,79	0,12	0,35	0,85	0,16	0,57	0,57	0,67	0,69	

## RECOMMENDED BY LEMO

### Tools

None

### Cables

CMN.19.T22.079QGZE	TPR (medical)	Grey	
--------------------	---------------	------	--

Property of LEMO SA. All rights reserved  
This document is not contractual

CMN.19.T22.080PGCE	PVC	GREY	
CMN.19.T22.080PGZE		Grey	
CMN.19.T22.080PNCE	PVC	Black	
CMN.19.T22.080PNZE			