

5

4

3

2

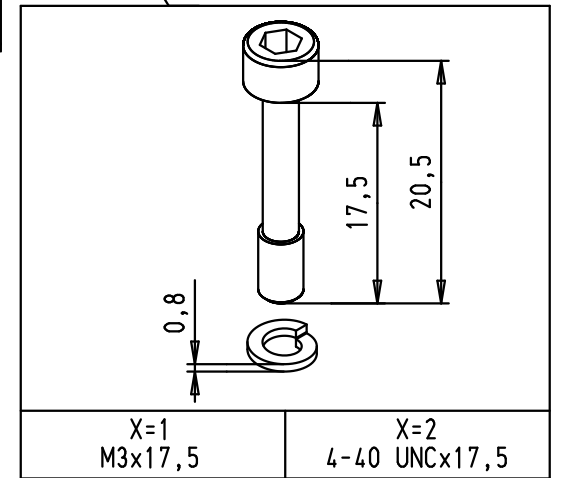
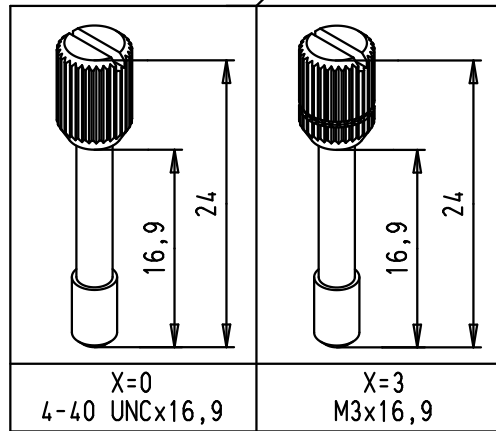
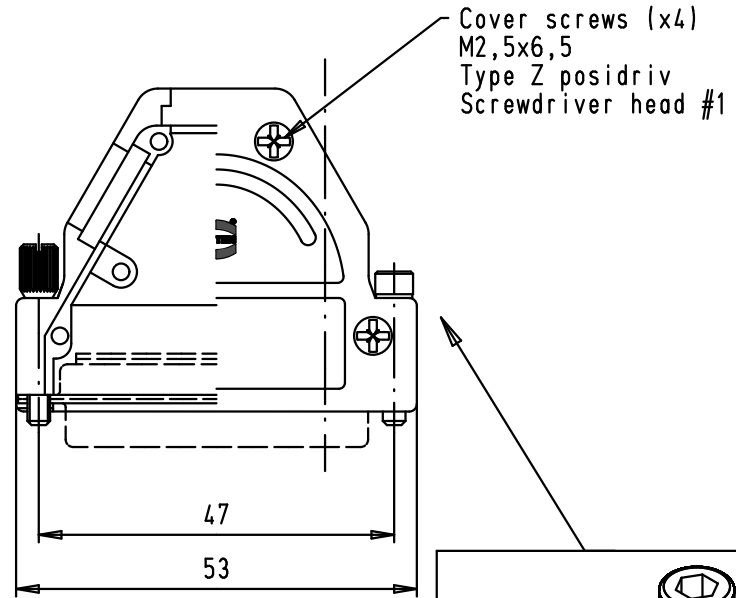
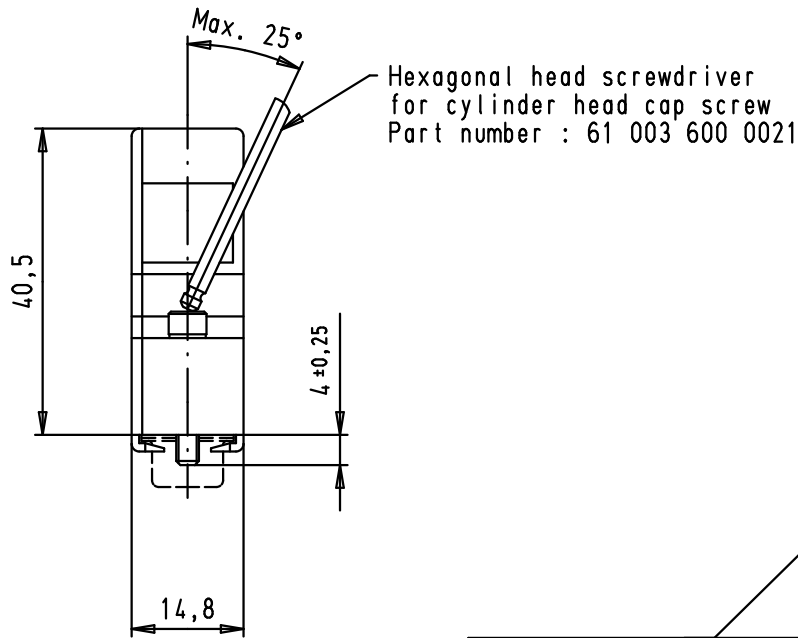
1

D

C

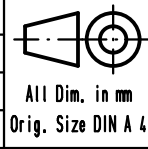
B

A



NOTA :Full metal hood made with zinc diecast

61 03 001 X017						
61 03 001 3017	Knurled thumb screw	M3 x 16,9				
61 03 001 0017		4-40 UNC x 16,9				
61 03 001 2017	Cylinder socket head cap screw with spring washer [2,6 DIN 127B]	4-40 UNC x 17,5	36163	29/09/10	SC	
61 03 001 1017		M3 x 17,5	32473	10/01/05	STRAUCH	
Part number	Screw type	screw size	Mod.	Dot.	Name	



INDUCOM - 25 poles, full metal hood for D-Sub, angled/straight cable entry

Maßstab/Scale 1:1

HARTING Electronics GmbH & Co. KG D-32339 ESPELKAMP



TB 61 03 001 X017

Blatt/Page 1/1