

## Features

- **Next Generation ZL880 VoicePort Family with Enhanced Features and Performance**
  - Same API interface as the *VE880 Series*
  - Lowest Bill of Materials (BOM) cost for 2 to 8 channel applications
- **Complete BORSCHT Functions for Two FXS Channels in a Single 64-Pin 9x9 QFN Package**
  - Battery feed, Over-voltage support, integrated Ringing, line Supervision, Codec, Hybrid (2W/4W), and Test
- **Integrated Power Management**
  - Single power supply using integrated battery switches for lowest BOM cost
  - Low Power Idle Mode with 60 mW consumption
  - Internal FET drive circuit for lower BOM count
  - Integrated real-time power monitoring tool
- **Ringing**
  - 5 REN with pin for pin compatible 100-V (ZL88601) and 120-V (ZL88602) devices
  - Internally generated sinusoidal or trapezoidal ringing with programmable DC offset
- **Worldwide Programmability**
  - Input impedance, balance impedance, gain
  - DC feed voltage and current limit
  - Ringing frequency, voltage and current limit
  - G.711  $\mu$ -law, A-law, or 16 bit linear coding
  - Call progress tone and Caller ID generation
  - Sample coefficients for more than 70 countries
- **Pin-Selectable PCM/MPI or ZSI Interfaces**
  - SPI Mode 0 and 3 support and no inter byte  $\overline{CS}$  off time. Also supports legacy MPI Interface.
  - ZSI Mode for a smaller number of interface signals to the host and less expensive isolation
- **VoicePath SDK and VP-API-II Software Available to Implement FXS Functions**
- **VeriVoice Software Suites Available for Manufacturing and Subscriber Loop Testing**
  - Utilizes integrated test tool box

142176

June 2012

### Ordering Information

Device OPN <sup>1</sup>	Device Type	Package	Packing
ZL88601LDF1	100V-ABS	64-pin QFN (9x9)	Tape & Reel
ZL88601LDG1	100V-ABS	64-pin QFN (9x9)	Tray
ZL88602LDF1	120V-ABS	64-pin QFN (9x9)	Tape & Reel
ZL88602LDG1	120V-ABS	64-pin QFN (9x9)	Tray

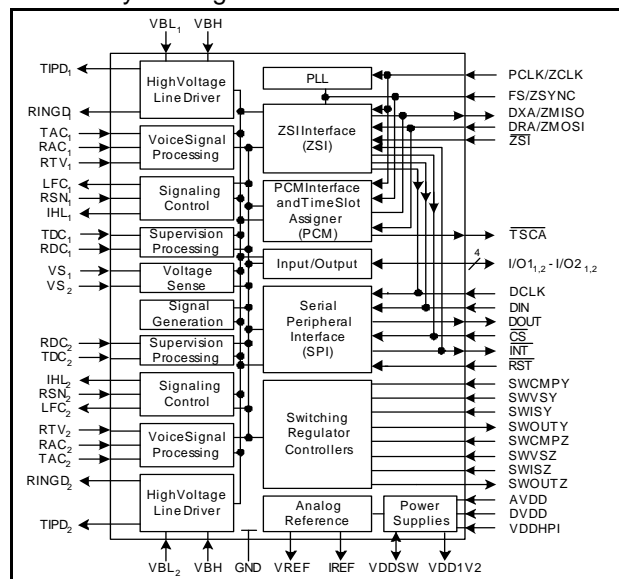
1. The Green package meets RoHS Directive 2002/95/EC of the European Council to minimize the environmental impact of electrical equipment.

## Applications

- DSL Residential Gateways and Integrated Access Devices (IADs)
- Cable eMTAs
- PON Single Family Units (SFUs)
- Fiber to the Premise/Home/Building (FTTx) Multiple Dwelling Units (MDUs)

## Description

The Microsemi<sup>®</sup> ZL88601/602 Dual Channel Wideband Automatic Battery Switching (ABS) VoicePort Device provides complete BORSCHT functions for two telephone line FXS ports. This device is part of the new *ZL880 Series* featuring enhanced functionality, lower BOM cost, and greater power efficiency, while maintaining software compatibility with the industry leading *VE880 Series*.



**VoicePort Device Block Diagram**

