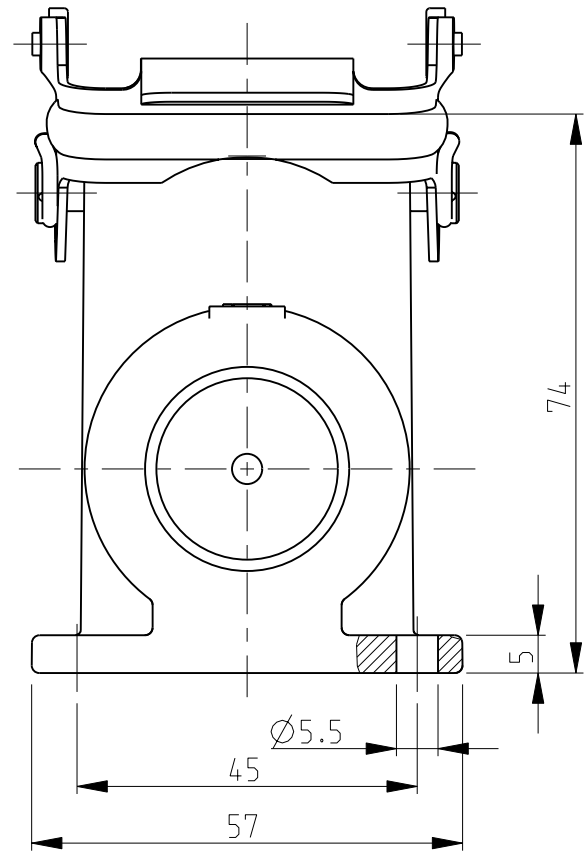
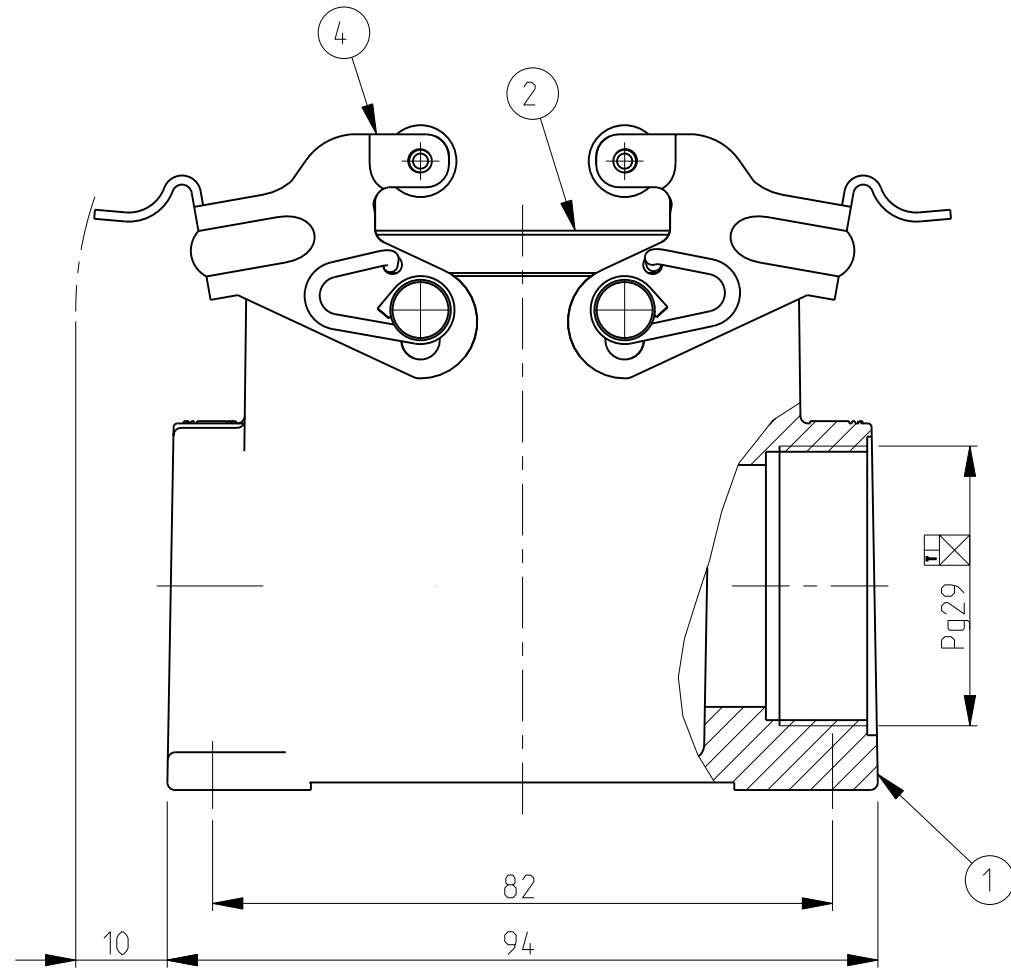


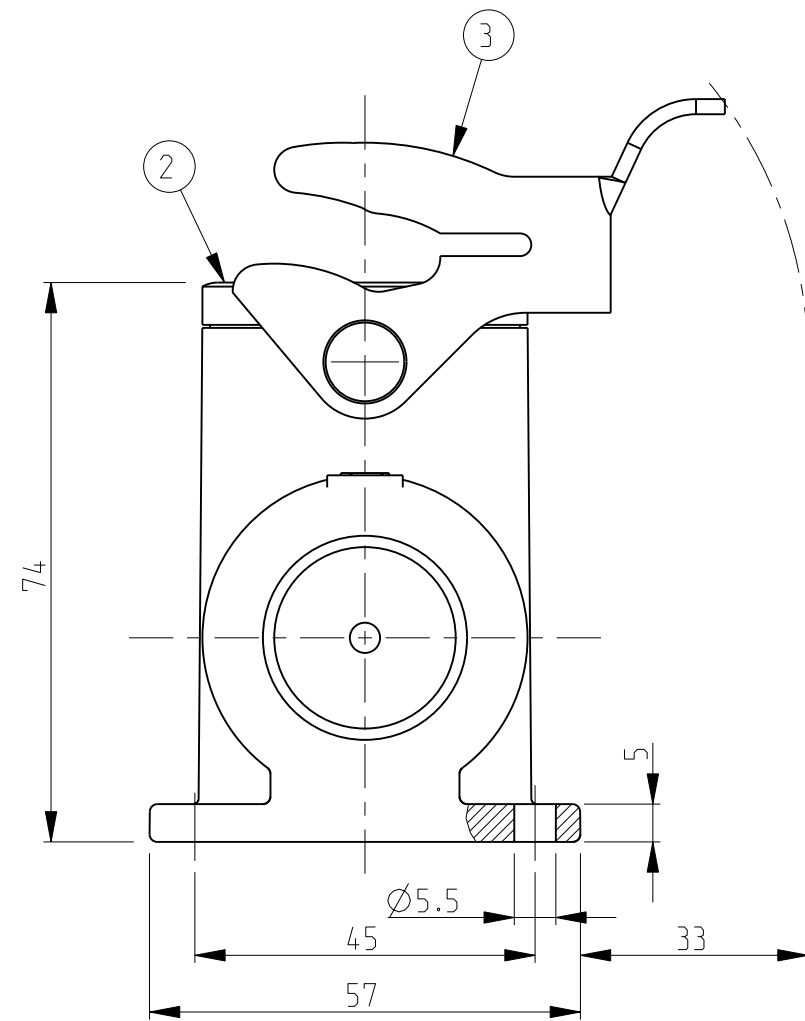
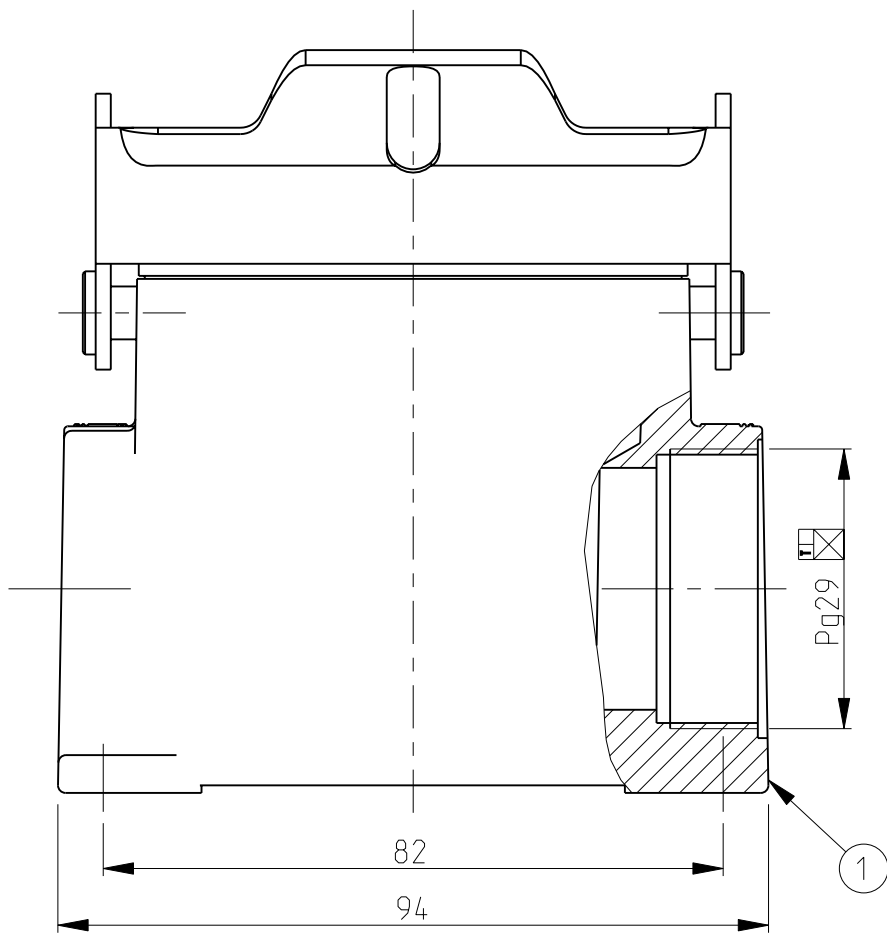
THIS DRAWING IS UNPUBLISHED. RELEASED FOR PUBLICATION .2000
 © COPYRIGHT 2000 Tyco Electronics AMP GmbH ALL RIGHTS RESERVED.

LOC		DIST		REVISIONS				
P	LTR	DESCRIPTION	DATE	DWN	APVD			
A2		Released as per ECR-08-015813	23.JUN.2008	SP	TS			
A3		ECR-11-011266	30MAY2011	MH	BR			

PN 1-1

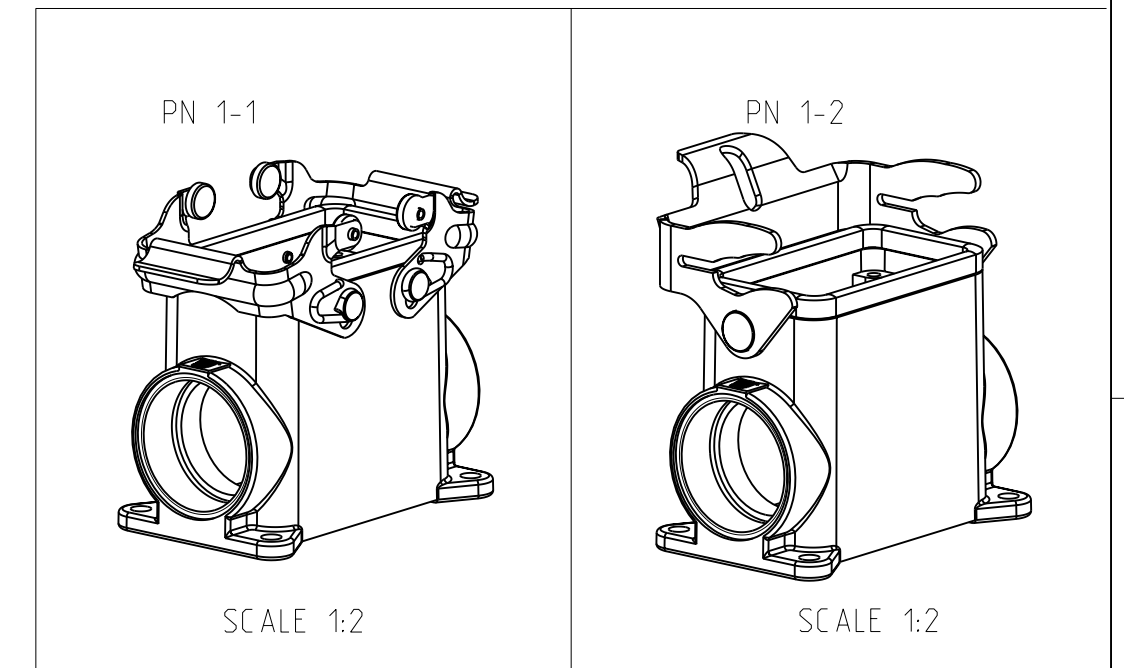


PN 1-2



NOTES.

- 1 Material:Housing:Aluminium Diecasting Alloy
Seals:Neoprene
- 2 Surface:Varnish grey
-Aluminium Oxide +Varnish Black
- 3 Varnish on the inside not necessary
- 4 Packaging
Quantity 5 Pieces in a box



QTY	DESCRIPTION	MATERIAL	SURFACE	COLOR	ITEM NO	REMARKS
2	VS-Clip positioner	Steel	Zinc plated	Blue	4	
1	LB-Side clip	Steel	Zinc plated	Blue	3	
1	Profile seal	Neoprene		Black	2	
1	Surface mounted housing side entry HD	Aluminium		Grey	1	

ORDERING TEXT
 HD.24.SG-VS.1.29.Z
 HD.24.SG.LB.1.29.Z

THIS DRAWING IS A CONTROLLED DOCUMENT.

DWN	Schneider	21.08.03	 TE Connectivity
CHK	Schweiger	21.08.03	
APVD	BRAUN	30.05.2011	
NAME	Surface mounted housing side entry HD.24.SG-VS/LB.1.29.Z		
PRODUCT SPEC			108-74003
APPLICATION SPEC			114-74001 /-74004
WEIGHT			-
MATERIAL			-
CUSTOMER DRAWING			SCALE 1:1 SHEET 1 OF 1 REV A3

RESTRICTED TO