



RZC1-04ZRS-KP0

RZC1

SENSORS FOR C-SLOT CYLINDERS

SICK
Sensor Intelligence.



Ordering information

| Type | Part no. |
|----------------|----------|
| RZC1-04ZRS-KPO | 1059747 |

Other models and accessories → www.sick.com/RZC1



Detailed technical data

Features

| | |
|------------------------------------|---------------------------------|
| Cylinder type | C-slot |
| Cylinder types with adapter | SMC rail CDQ2 SMC rail ECDQ2 |
| Housing length | 26.3 mm |
| Switching output | Reed |
| Switching frequency | 500 Hz |
| Output function | NO |
| Electrical wiring | AC/DC 3-wire |
| Enclosure rating | IP67 ¹⁾ |
| Cable outlet | Axial |

¹⁾ According to EN 60529 (IP 67 / IP 68).

Mechanics/electronics

| | |
|---|----------------------------------|
| Supply voltage | 5 V AC/DC ... 30 V AC/DC |
| Power consumption | 5 mA ¹⁾ |
| Voltage drop | < 0.5 V |
| Continuous current I_a | ≤ 500 mA |
| Switching capacity | ≤ 10 W |
| Protection class | III |
| Overrun distance, typ. | 7 mm |
| Reproducibility | ≤ 0.1 mT ²⁾ |
| Ambient operating temperature | -30 °C ... +80 °C |
| Shock and vibration resistance | 30 g, 11 ms / 10 ... 55 Hz, 1 mm |
| EMC | According to EN 60947-5-2 |
| Housing material | Plastic, PA, strengthened |

¹⁾ Without load.

²⁾ U_b and T_a constant.

| | |
|--------------------------------|---------------------------------------|
| Connection type | Cable with connector M8, 3-pin, 0.3 m |
| Cable material | PUR |
| Conductor cross-section | 0.09 mm ² |
| UL File No. | NRKH.E181493 & NRKH7.E181493 |

1) Without load.

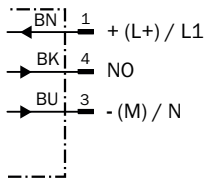
2) U_b and T_a constant.

Classifications

| | |
|-----------------------|----------|
| ECI@ss 5.0 | 27270104 |
| ECI@ss 5.1.4 | 27270104 |
| ECI@ss 6.0 | 27270104 |
| ECI@ss 6.2 | 27270104 |
| ECI@ss 7.0 | 27270104 |
| ECI@ss 8.0 | 27270104 |
| ECI@ss 8.1 | 27270104 |
| ECI@ss 9.0 | 27270104 |
| ETIM 5.0 | EC002544 |
| ETIM 6.0 | EC002544 |
| UNSPSC 16.0901 | 39122230 |

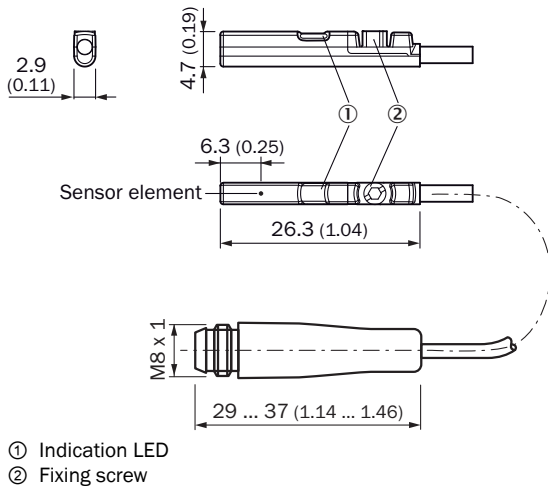
Connection diagram

cd-036



Dimensional drawing (Dimensions in mm (inch))

Cable with connector M8



Recommended accessories

Other models and accessories → www.sick.com/RZC1

| | Brief description | Type | Part no. |
|-------------------------------|---|-----------------|----------|
| Brackets for cylinder sensors | | | |
| | Mounting bracket for integrated profile cylinder/tie-rod cylinder, Zinc diecast, mounting hardware included | BEF-KHZ-PC1 | 2076170 |
| | 1 piece, Mounting bracket on round body cylinder with piston diameter of 12 mm, ambient temperature min 0 °C max 50 °C, Plastic, Aluminum | BEF-KHZ-RC-12 | 2077673 |
| | 1 piece, Mounting bracket on round body cylinder with piston diameter of 16 mm, ambient temperature min 0 °C max 50 °C, Plastic, Aluminum | BEF-KHZ-RC-16 | 2077672 |
| | 1 piece, Mounting bracket on round body cylinder with piston diameter of 20 mm, ambient temperature min 0 °C max 50 °C, Plastic, Aluminum | BEF-KHZ-RC-20 | 2077671 |
| | 1 piece, Mounting bracket on round body cylinder with piston diameter of 25 mm, ambient temperature min 0 °C max 50 °C, Plastic, Aluminum | BEF-KHZ-RC-25 | 2077670 |
| | 1 piece, Mounting bracket on round body cylinder with piston diameter of 32 mm, ambient temperature min 0 °C max 50 °C, Plastic, Aluminum | BEF-KHZ-RC-32 | 2077669 |
| | 1 piece, Mounting bracket on round body cylinder with piston diameter of 40 mm, ambient temperature min 0 °C max 50 °C, Plastic, Aluminum | BEF-KHZ-RC-40 | 2077668 |
| | 1 piece, Mounting bracket on round body cylinder with piston diameter of 50 mm, ambient temperature min 0 °C max 50 °C, Plastic, Aluminum | BEF-KHZ-RC-50 | 2077667 |
| | 1 piece, Mounting bracket on round body cylinder with piston diameter of 63 mm, ambient temperature min 0 °C max 50 °C, Plastic, Aluminum | BEF-KHZ-RC-63 | 2077666 |
| | 1 piece, Mounting bracket on round body cylinder with piston diameter of 1 mm ... 130 mm, ambient temperature min -30 °C max 80 °C, stainless steel, Aluminum | BEF-KHZ-RC1-130 | 2077686 |
| | 1 piece, Mounting bracket on round body cylinder with piston diameter of 1 mm ... 25 mm, ambient temperature min -30 °C max 80 °C, stainless steel, Aluminum | BEF-KHZ-RC1-25 | 2077685 |

| | Brief description | Type | Part no. |
|---|--|--------------------|-----------------|
|  | Mounting bracket for mounting on SMC rails CDQ2 (C-slot), Aluminum | BEF-KHZ-TC2 | 2046442 |
|  | Mounting bracket for mounting on SMC rails ECDQ2 (C-slot), Aluminum, without mounting hardware | BEF-KHZ-TC1 | 2046441 |
| Plug connectors and cables | | | |
|  | Head A: female connector, M8, 3-pin, straight, A-coded Head B: Flying leads Cable: Sensor/actuator cable, PVC, unshielded, 2 m | YF8U13-020VA1XLEAX | 2095860 |
| | Head A: female connector, M8, 3-pin, straight, A-coded Head B: Flying leads Cable: Sensor/actuator cable, PVC, unshielded, 5 m | YF8U13-050VA1XLEAX | 2095884 |
|  | Head A: female connector, M8, 3-pin, angled, A-coded Head B: Flying leads Cable: Sensor/actuator cable, PUR, halogen-free, unshielded, 2 m | YG8U13-020UA1XLEAX | 2094794 |
|  | Head A: female connector, M8, 3-pin, angled, A-coded Head B: Flying leads Cable: Sensor/actuator cable, PVC, unshielded, 2 m | YG8U13-020VA1XLEAX | 2096165 |
|  | Head A: female connector, M8, 3-pin, angled, A-coded Head B: Flying leads Cable: Sensor/actuator cable, PUR, halogen-free, unshielded, 5 m | YG8U13-050UA1XLEAX | 2095586 |
|  | Head A: female connector, M8, 3-pin, angled, A-coded Head B: Flying leads Cable: Sensor/actuator cable, PVC, unshielded, 5 m | YG8U13-050VA1XLEAX | 2096166 |
|  | Head A: female connector, M8, 3-pin, straight Head B: - Cable: unshielded | DOS-0803-G | 7902077 |
|  | Head A: female connector, M8, 3-pin, angled Head B: - Cable: unshielded | DOS-0803-W | 7902078 |

SICK AT A GLANCE

SICK is one of the leading manufacturers of intelligent sensors and sensor solutions for industrial applications. A unique range of products and services creates the perfect basis for controlling processes securely and efficiently, protecting individuals from accidents and preventing damage to the environment.

We have extensive experience in a wide range of industries and understand their processes and requirements. With intelligent sensors, we can deliver exactly what our customers need. In application centers in Europe, Asia and North America, system solutions are tested and optimized in accordance with customer specifications. All this makes us a reliable supplier and development partner.

Comprehensive services complete our offering: SICK LifeTime Services provide support throughout the machine life cycle and ensure safety and productivity.

For us, that is “Sensor Intelligence.”

WORLDWIDE PRESENCE:

Contacts and other locations –www.sick.com