

P/N IN TUBE	CKT SIZE	DIMENSION			
		A	B	C	D
87831-4422	44	42.00	44.85	47.38	38.00
87831-4423	44	42.00	44.85	47.38	38.00

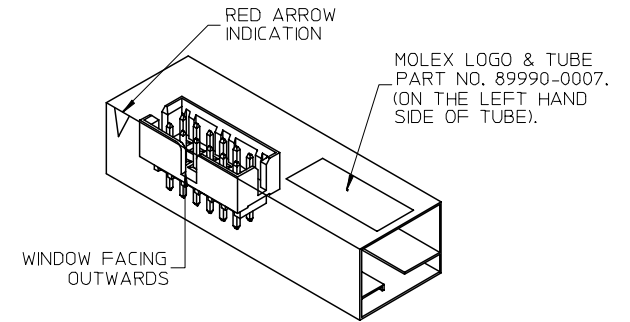


FIG. 1 : ORIENTATION OF PART IN TUBE.  
(FOR THE REFERENCE OF PART/TUBE ASSEMBLY.)

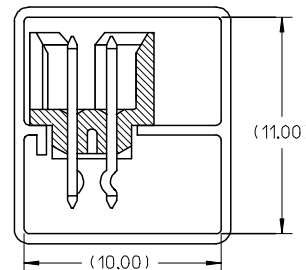
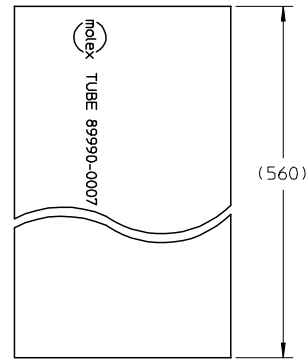
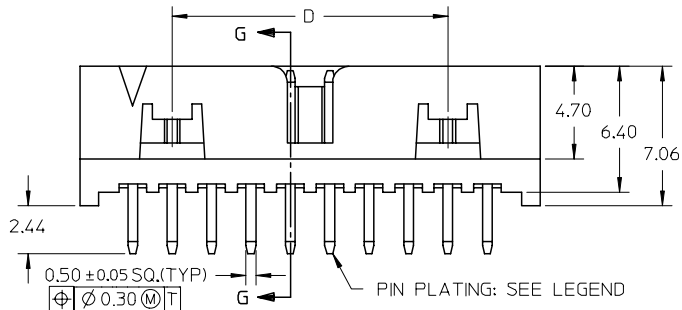


FIG. 1 : ORIENTATION OF PART IN TUBE.

PART NUMBER LEGEND :

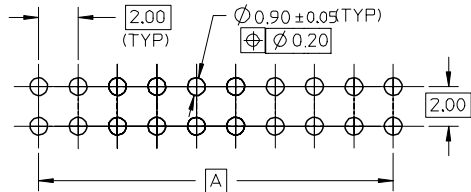
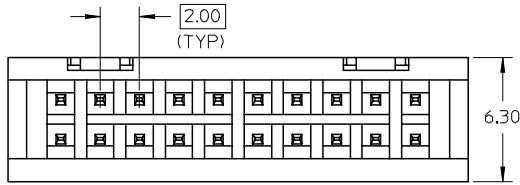
87831 - \* \* \* \*

PLATING OPTIONS

- 22 - 0.38um/15uin GOLD IN CONTACT AREA AND 1.88um/75uin MIN. TIN IN SOLDER TAIL AREA OVER 1.27um/50uin MIN. NICKEL OVERALL.
- 23 - 0.76um/30uin GOLD IN CONTACT AREA AND 1.88um/75uin MIN. TIN IN SOLDER TAIL AREA OVER 1.27um/50uin MIN. NICKEL OVERALL.

NOTES:

- FOR ILLUSTRATION PURPOSES, 20 CIRCUIT SIZE WAFER IS SHOWN.
- MATERIAL : HOUSING : 30% G.F., NYLON 46, UL94V-0, COLOR BLACK. PIN : 0.50MM SQ.PHOSPHOR BRONZE.
- PRODUCT SPECIFICATION PS-87331 APPLIES.
- REQUIRES TO PASS NITRIC ACID POROSITY TEST AS PER EIA-364-53 STANDARD. WIPE LENGTH OF 2.00MM RECOMMENDED FOR TEST.
- PARTS TO BE PACKED IN TUBE WITH MOISTURE BARRIER BAG.



RECOMMENDED PCB PATTERN

ADD MOIST BAG NOTE EC NO: S2007-0892 DRWN:GIVENARLY 2007/05/04 CHKD:SKANG 2007/05/04 APPR:MLONG 2007/05/07	QUALITY SYMBOLS ▽=0 ▽=0	GENERAL TOLERANCES (UNLESS SPECIFIED)		DIMENSION STYLE MM ONLY		SCALE NTS	DESIGN UNITS METRIC	THIRD ANGLE PROJECTION			
		4 PLACES ± --- ± ---	3 PLACES ± --- ± ---	2 PLACES ± 0.2 ± ---	1 PLACE ± --- ± ---	ANGULAR ± 3 °	DRAWN BY ATSEE	DATE 2003/10/08	TITLE MGRID, SHROUDED HEADER VERTICAL W/SLOTS AND END STANDOFF	MOLEX INCORPORATED	
		DRAFT WHERE APPLICABLE MUST REMAIN WITHIN DIMENSIONS		SEE TABLE		MATERIAL NO.	SKTOH	DATE 2003/11/07	DOCUMENT NO. SD-87831-021	SHEET NO. 1 OF 1	
		THIS DRAWING CONTAINS INFORMATION THAT IS PROPRIETARY TO MOLEX INCORPORATED AND SHOULD NOT BE USED WITHOUT WRITTEN PERMISSION									