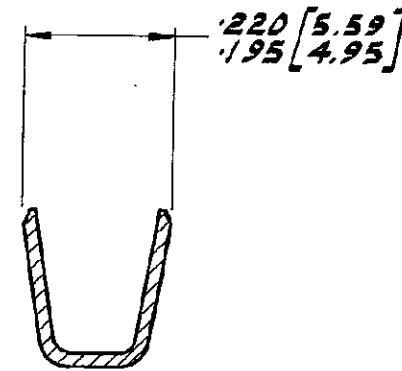
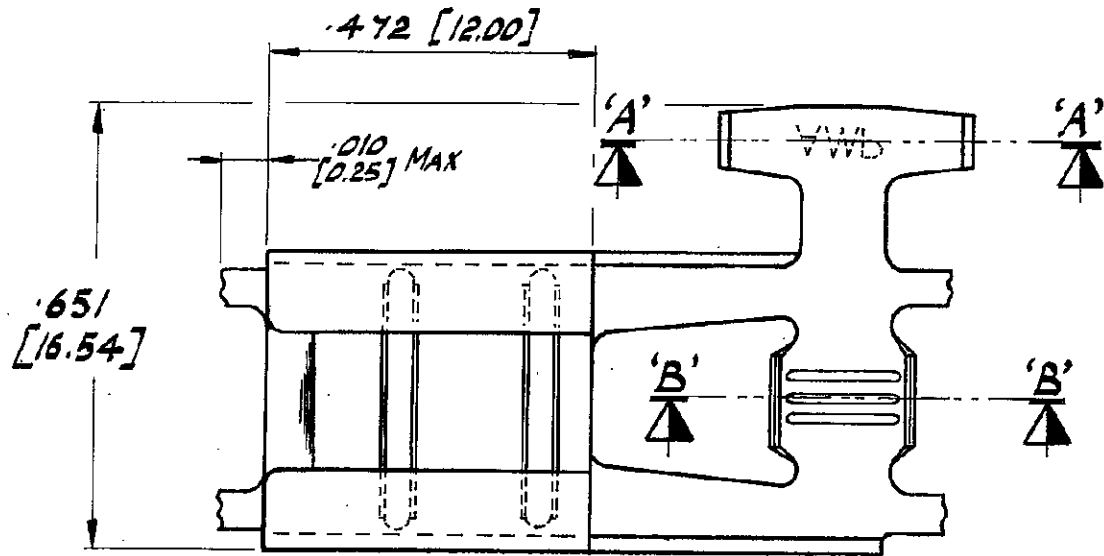


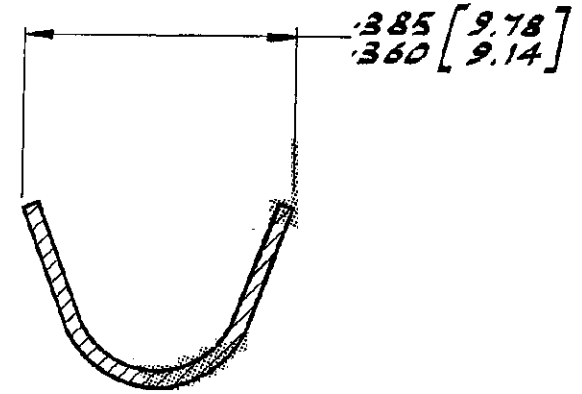
NUMBER C 342308

3rd ANGLE (AMERICAN) PROJECTION

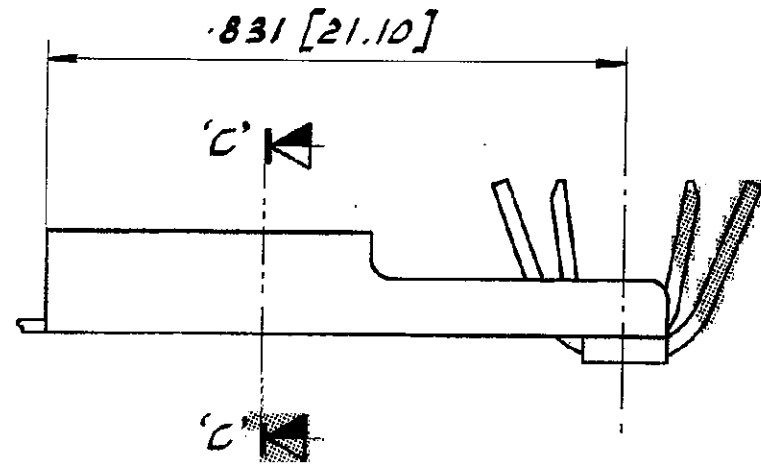
DIMENSIONS IN INCHES. DO NOT SCALE PRINT
DIMENSIONS THUS [] IN MM.



SECTION 'B'-'B'



SECTION 'A'-'A'



SECTION 'C'-'C'

NOTE

INSULATION RANGE
135 - 192 [3.42 - 4.88] 'F' CRIMP
192 - 234 [4.81 - 5.94] 'D' CRIMP

INSERTION & WITHDRAWAL FORCE
25 - 50 NEWTONS.

REVERSE REELED	342308-3	BRASS	NONE
OBSOLETE	342308-2	BRASS	ELECTRO-TIN
	342308-1	BRASS	NONE
PART NO.	MATERIAL	FINISH	

C1	ECR-10-022530	KK	HMR	07FEB11
C	-3 ADDED	DRT	5/5/81	4/98
B	SCROLL CAP MODIFIED CLIP CAP TOLERANCE DELETED INSERTION WITHDRAWAL FORCE ADDED			6/88
A	.040 ± .002 WIRE 03971004 DM PK R			18/88
0	RELEASE FOR PRODUCTION	A.H.		25-1-83
ISS	REVISION RECORD	DR	CHK	DATE
DR	A. HOWARD 30/6/81	DE		
CHK	G.C. HUGHES 30/6/81	APP		1/7/81

© TE of GREAT BRITAIN LTD 1981		CUSTOMER COPY REFERENCE ONLY	
MATERIAL AND FINISH .020 [0.51] STOCK BRASS	STE TE Connectivity	CLASS	
SEE TABLE		TYPE	
WIRE - RANGE - INSULATION 3-6 m.m. ² SEE NOTE	TOLERANCE EXCEPT AS NOTED ± .015 [0.38] ± 1° 0'	SCALE 4:1	LOC E B
NO C 342308	REV C1	NAME 375 SERIES FLAG FASTON RECEPTACLE	

PRINT DIST.