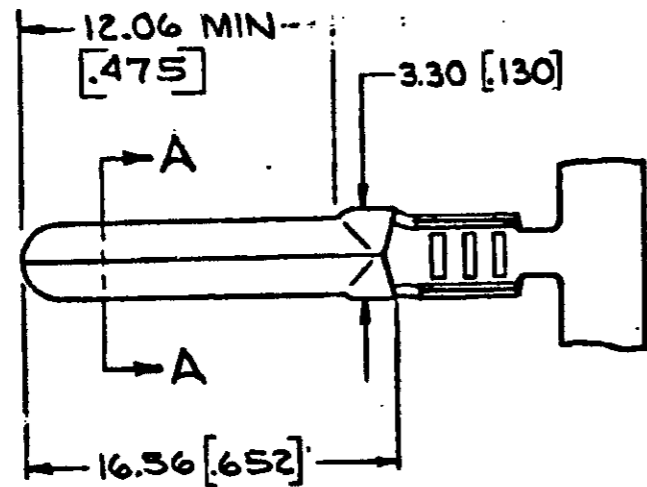


DRAWING MADE IN THIRD ANGLE PROJECTION

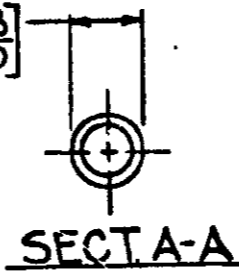
© COPYRIGHT 1978 BY AMP INCORPORATED, HARRISBURG, PA.  
ALL INTERNATIONAL RIGHTS RESERVED. AMP INCORPORATED PRODUCTS  
COVERED BY U. S. AND FOREIGN PATENTS AND/OR PATENTS PENDING.

LOG AF DIST 5C

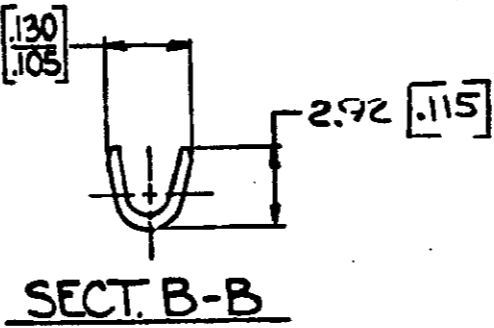
REVISIONS				
ZONE	LTR	DESCRIPTION	DATE	APPROVED
	A	REVISED & RELEASED	12-1-78	WSD/DA
✓	B	ADDED 62820-2	6-4-80	RLS/GY
✓	C	REVISED AF-2156	11/13/80	JR/GY
✓	D	OBS-2 AF-4796	9/2/81	GY
✓	E	OBS-1 PER AF-4175	5-20-88	TMS/ST
✓	F	REACT-1 AF-6188	4/8/89	PMF/GY
✓	G	OBSLETE-1 PER DLIO-0217-96	02/10/96	PMF/GY
✓	H	REACTIVATE-1 PER DLIO-0253-96	02/10/97	PMF
✓	J	ADDED -3 PER 063A-0289-00	11 MAY 00	MSF/DFD



2.36 [.093]  
2.29 [.090]

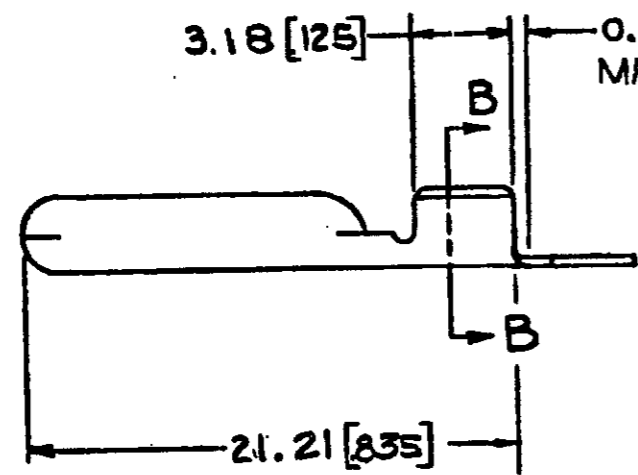


3.30 [.130]  
2.67 [.105]



**NOTE:**  
1. DIMS. IN BRACKETS ARE IN INCHES.  
2. CONTINUOUS STRIP ON REELS.  
3. PRELIMINARY - NOT FOR PRODUCTION.

3.18 [.125] 0.25 [.010] MAX CUT-OFF



REMARKS	WIRE RANGE	PART NO
	0.4-1.4mm <sup>2</sup> [22-16]	62820-3
OBSOLETE REVERSE REEL	0.4-1.4mm <sup>2</sup> [22-16]	<del>62820-2</del>
	0.4-1.4mm <sup>2</sup> [22-16]	62820-1

UNLESS OTHERWISE SPECIFIED DIMENSIONS ARE IN MILLIMETERS. TOLERANCES ON: DECIMALS ANGLES ±0.38 [0.15]	CONTRACT NO	AMP INCORPORATED Harrisburg, Pa.	
	DR <i>W. J. Davis</i> 9-14-78 CHK <i>G. W. Miller</i> 7-15-78	NAME <b>.093 DIA. PIN</b>	
MATERIAL 0.32 [.0126] THK DRASS	APPD <i>Jim Prutsky</i> 7-15-78	SIZE <b>B</b>	CODE IDENT NO <b>00779</b>
FINISH PRE-TIN	DESIGN APPD OTHER APPD	DRAWING NO <b>62820</b>	SHEET

**METRIC**