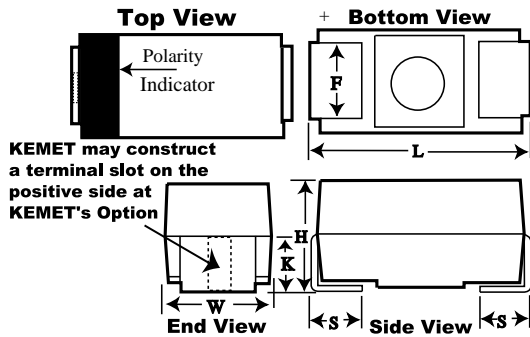


B45396R, Tantalum, MnO2 Tantalum, Multi-Anode, 150 uF, 10%, 16 V, SMD, Molded, Ultra Low ESR, 40 mOhms, 7343, Height Max = 4.4mm



General Information	
Supplier:	KEMET
Series:	B45396R
Dielectric:	MnO2 Tantalum
Style:	SMD Chip
Description:	SMD, Molded, Ultra Low ESR
Features:	Ultra Low ESR
RoHS:	Yes
Termination:	Tin
Miscellaneous:	Closest Kemet Original Series Equivalent: T510X157K016AT
Notes:	Obsolete. Old Part Number [Obsolete] Was B45396R3157K509

Dimensions	
Footprint	7343
L	7.3mm +/-0.3mm
W	4.3mm +/-0.3mm
H	4.1mm +/-0.3mm
S	1.3mm +/-0.3mm
F	2.4mm +/-0.1mm
K	1.8mm TYP

Packaging Specifications	
Packaging:	T&R, 178mm
Packaging Quantity:	400

Specifications	
Capacitance:	150 uF
Capacitance Tolerance:	10%
Voltage DC:	16 VDC (85C), 10.72 VDC (125C)
Temperature Range:	-55/+125C
Rated Temperature:	85C
Dissipation Factor:	6%
Failure Rate:	N/A
Resistance:	0.04 Ohms (100kHz)
Current:	2600 mAmps (25C), 2340 mAmps (85C), 1040 mAmps (125C)
Leakage Current:	24 uA