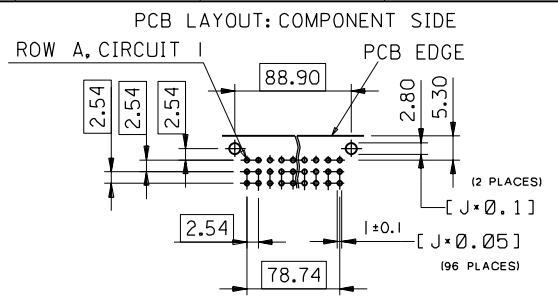
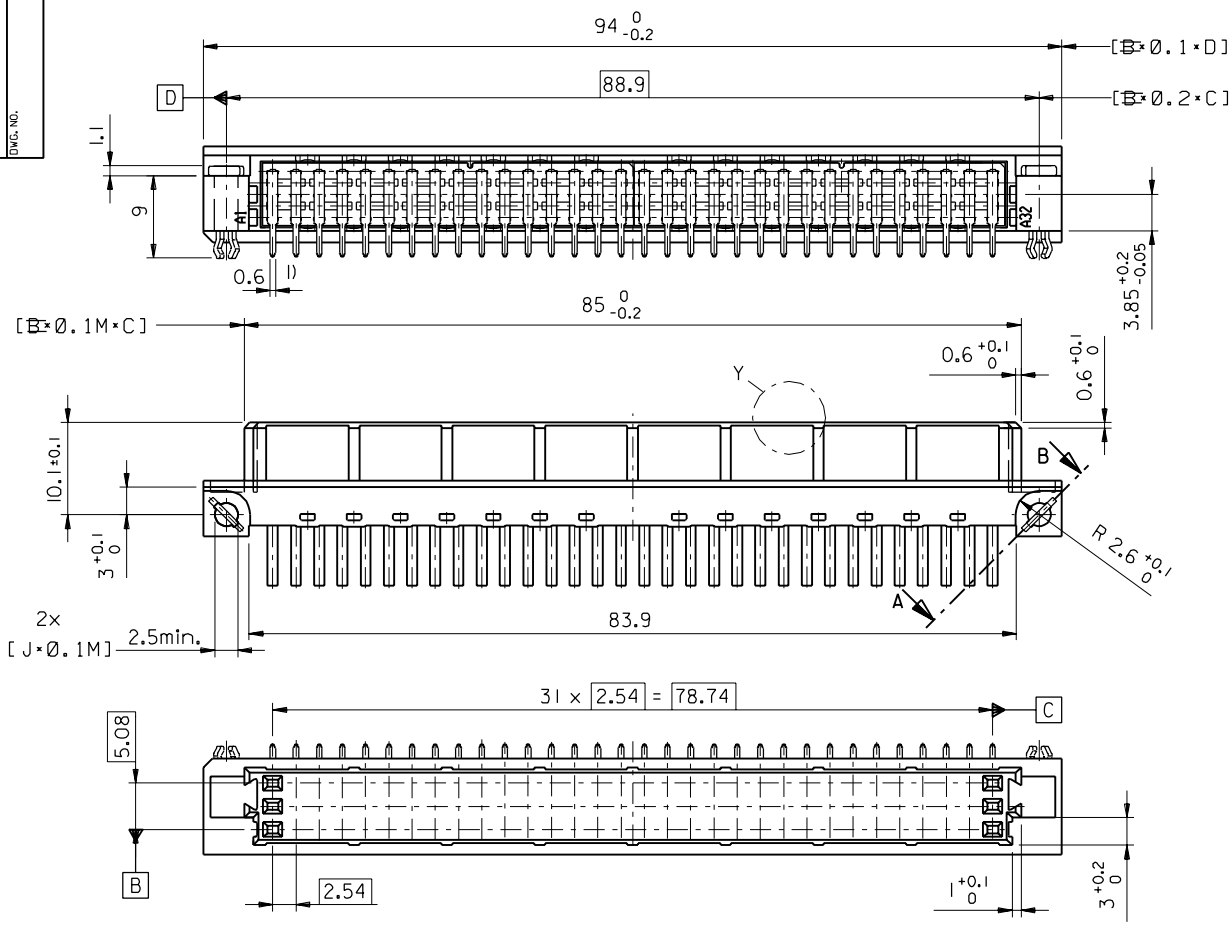
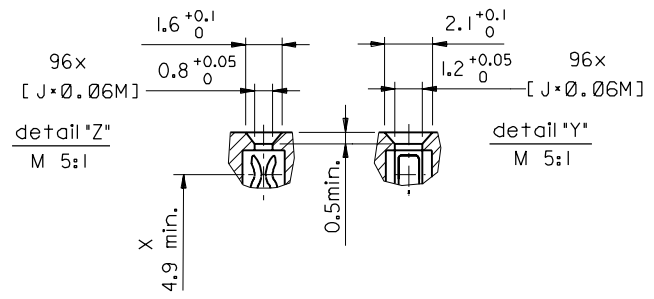
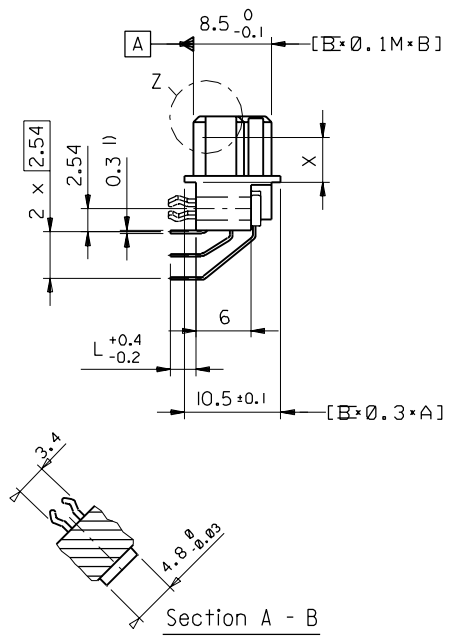


PART NO.
DWG. NO.



1) tails to fit in PC-board layout



FIRST ANGLE PROJECTION

DRWG BY	KN
CHK'D BY	Ca
APP'D BY	JB
SCALE	2:1

UNLESS OTHERWISE SPECIFIED TOLERANCES: ANGULAR ±2°
INCH METRIC

3 PLACE ±	±
2 PLACE ±	±
1 PLACE ±	±

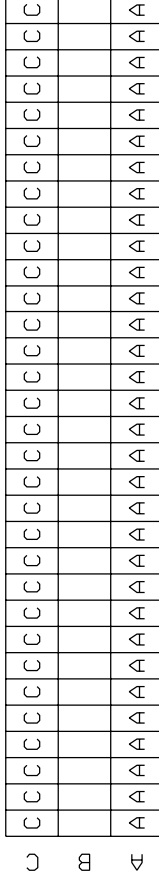
DRAFT WHERE APPLICABLE MUST REMAIN WITHIN DIMENSIONS

DESIGN DIMENSION	<input checked="" type="checkbox"/> MM
	<input type="checkbox"/> IN.
EQUIVALENT DIMENSION	<input type="checkbox"/> MM
	<input type="checkbox"/> IN.

IF TWO DIMENSIONS ARE SHOWN THE UPPER IS THE DESIGN DIMENSION, LOWER IS SECONDARY

2	B1
SH.	REV.
CAD/CAM PROJECT NAME 85052000 611	
THIS DRAWING CONTAINS INFORMATION THAT IS PROPRIETARY TO MOLEX INC. & SHOULD NOT BE USED WITHOUT WRITTEN PERMISSION	
TITLE 96 pos. female connector DIN 41612 style R + clip Dimensions	
MOLEX MOLEX EUROPE	
SHEET NO. DATE 1 OF 2 96/04/25	
PART NO.	DWG NO. SDA-85052-0001
SIZE	B

VIEW ON MATING SIDE



C
 A
 C
 A

A = 32 CONTACTS L=2,8

C = 32 CONTACTS L=2,8

S = 64 TOTAL NUMBER OF CONTACTS

Marking	Standard
Performance level	G2/0 = Contact area level2 / Termination tin
Flux proof	no
Fixing clip	yes
Dimensions	SDA-85052-0001 sht.1
TechnicalData	PS-85052-0001

C	G2/0	c1-32
A	G2/0	a1-32
Contact symbol	Perform. level	Contact position number

first release see ECN No. 2154	REVISIONS	FOR PREVIOUS REVISIONS SEE MRI LIST
▷	LTR	

UNLESS OTHERWISE SPECIFIED TOLERANCES: ANGULAR ± 2°		DRWG BY	SIGN	REVISE ONLY ON CAD SYSTEM	SH. REV.
INCH		Cc		CAD/CAM PROJECT NAME	s8505201
METRIC		CHK'D BY	SIGN	THIS DRAWING CONTAINS PROPRIETARY TO MOLEX INC. & SHOULD NOT BE USED WITHOUT WRITTEN PERMISSION	
3 PLACE ± .	±	KN		TITLE	96 pos. female connector acc. DIN 41612 style R contacts arrangement
2 PLACE ± .	±	APP'D BY	SIGN	SHEET NO. DATE	
1 PLACE ± .	±	SCALE		1 OF 1 96/06/14	
DRAFT WHERE APPLICABLE MUST REMAIN WITHIN DIMENSIONS		DESIGN DIMENSION	<input type="checkbox"/> MM <input type="checkbox"/> IN.	PART NO. DWG NO.	
		EQUIVALENT DIMENSION	<input type="checkbox"/> MM <input type="checkbox"/> IN.	SDA-85052-0103	
IF TWO DIMENSIONS ARE SHOWN, THE UPPER IS THE DESIGN DIMENSION, LOWER IS SECONDARY					

