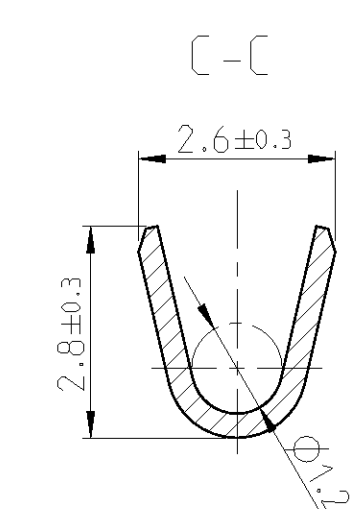
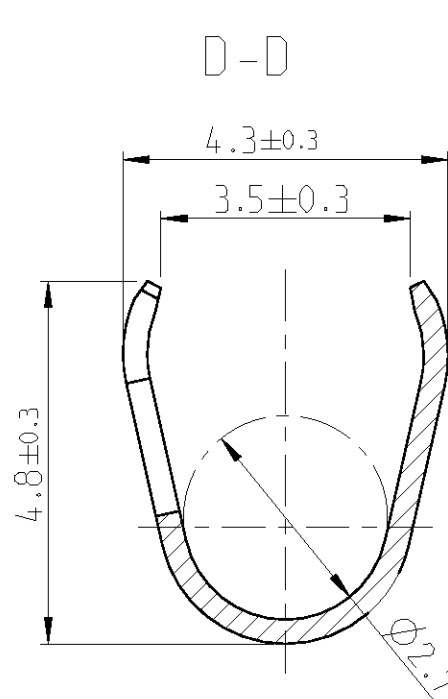
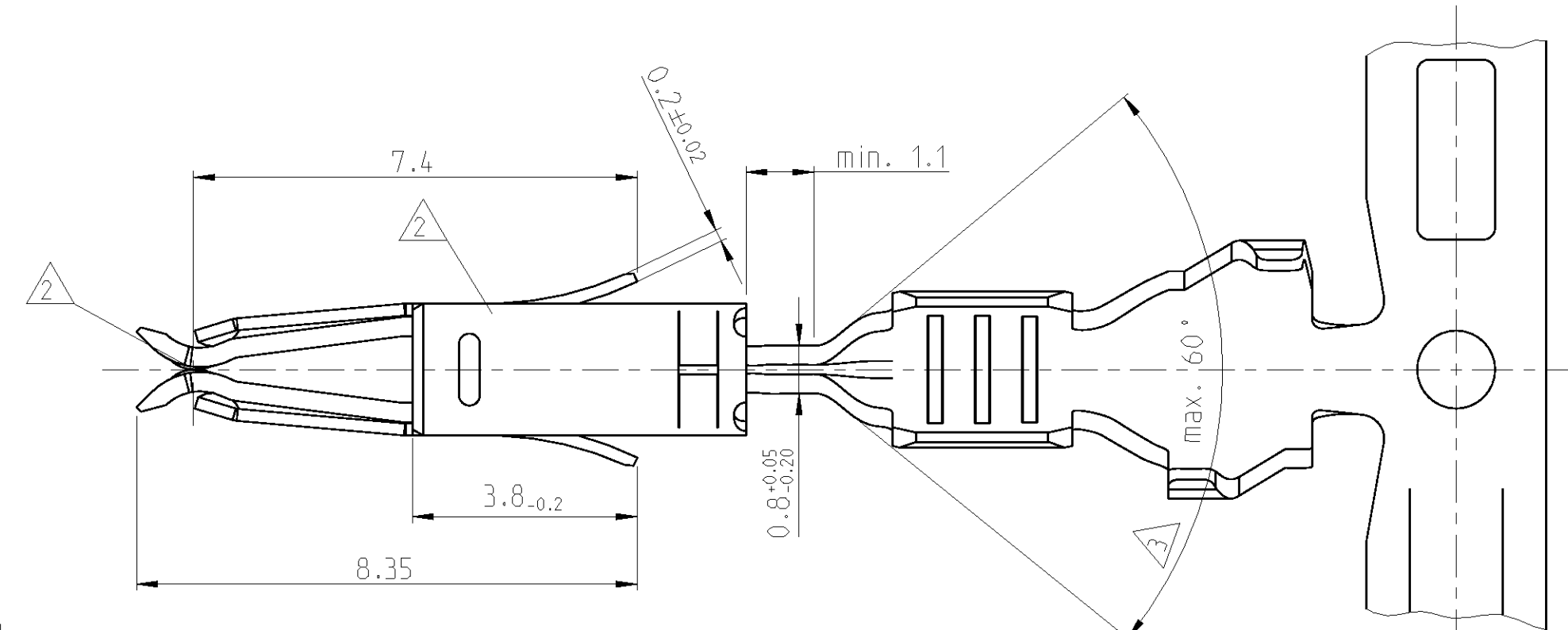
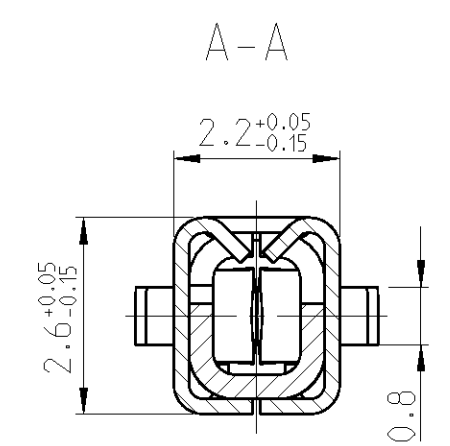
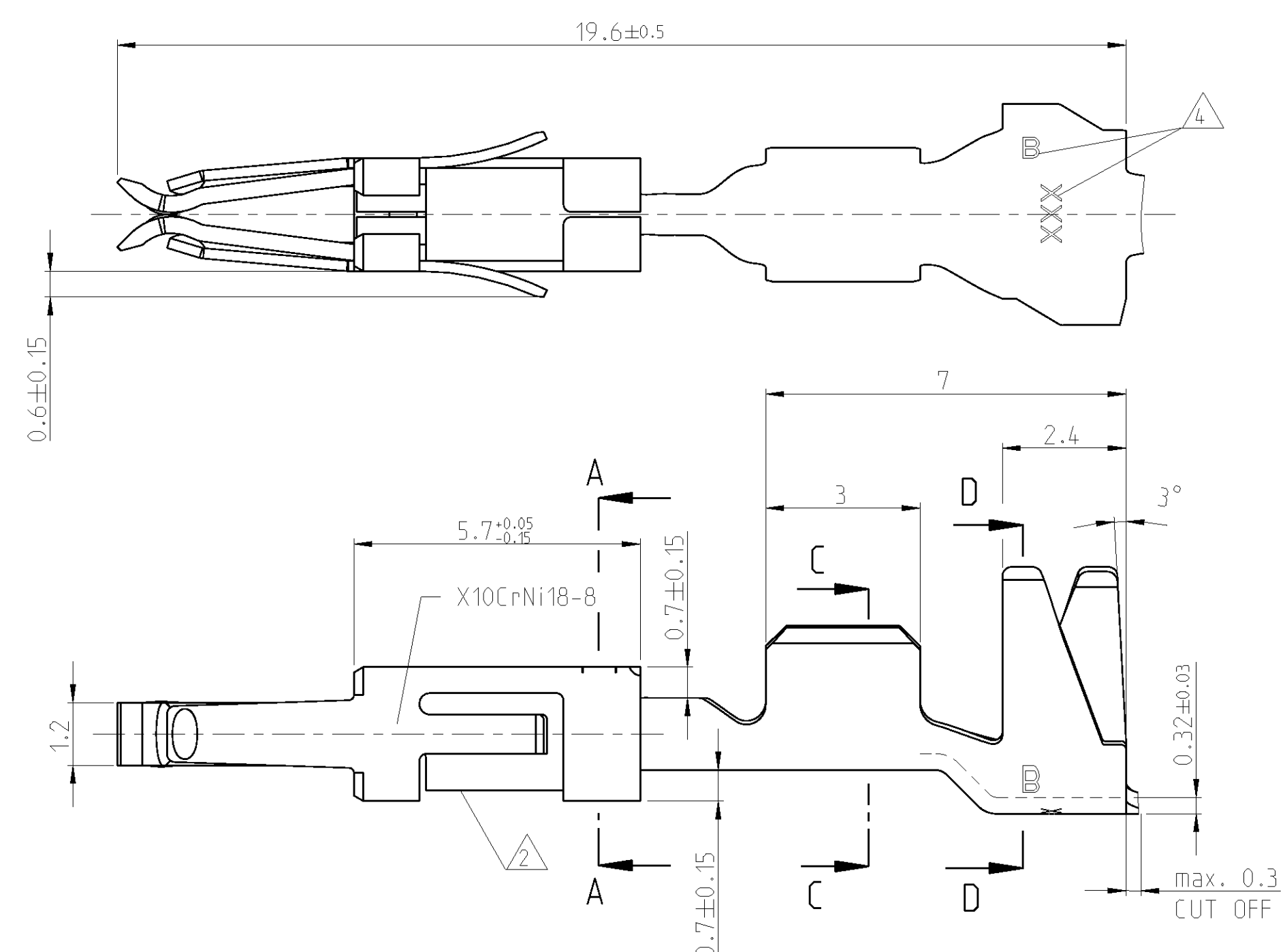


THIS DRAWING IS UNPUBLISHED. RELEASED FOR PUBLICATION 2011
 © COPYRIGHT 2011 Tyco Electronics AMP GmbH ALL RIGHTS RESERVED.

REVISIONS					
REV	DATE	BY	CHK	DESCRIPTION	APPROVED
B1	24MAR1997	Bers		Zeichnung ueberarbeitet. "vortlaufig" entfernt	-
B2	09JUN1997	Schae		Verarbeitungshinweis ergaenzt	-
B3	05MAY2006	Abr		Dimple angepasst	-
B4	08JUN2011	Kirs.	Mair.	NEW PROE DRAWING, Part 968015-6 obsolete	-



NOTES:
Bemerkungen:

- 1 CONTACT BODY ALLAROUND TINNED MIN. 0.8µm
Kontaktkoerper allseitig verzinkt min. 0.8µm
SPRING PLAIN
Ueberfeder blank
- 2 CONTACT BODY GALV. NICKEL MIN. 0.2µm
Kontaktkoerper galv. vernickelt min. 0.2µm
PREFORMED CONTACT AREA OUTSIDE GALV. GOLD MIN. 0.8µm
OVER GALV. NICKEL MIN. 1.3µm
vorgeformte Kontaktzone aussen galv. vergoldet min. 0.8µm ueber galv. vernickelt min. 1.3µm
PREFORMED CONTACT AREA INSIDE GALV. TINNED MIN. 1µm
OVER GALV. NICKEL MIN 1.3µm
vorgeformte Kontaktzone innen galv. verzinkt min. 1µm ueber galv. vernickelt min. 1.3µm
CONTACT BODY OUTSIDE GALV. GOLD MIN. 0.8µm
OVER GALV. NICKEL MIN 1.3µm
Kontaktkoerper aussen galv. vergoldet min. 0.8µm ueber galv. vernickelt min. 1.3µm
WIRE CRIMP ZONE GALV. TINNED MIN. 1µm
Drahtcrimpzone galv. verzinkt min. 1µm
SPRING GALV. GOLD MIN. 0.5µm
Ueberfeder galv. vergoldet min. 0.5µm
- 3 TRANSITION LIES WITHIN THIS ANGLE
MEASURED STARTING FROM NOMINAL DIMENSION
Uebergang liegt innerhalb dieses Winkels gemessen ab Nennmass
- 4 LETTER FOR REVISION STATE AND COMPANY LOGO
Buchstabe fuer Aenderungsstand und Firmenlogo
- 5 MATED WITH TAB 1.6x0.6
steckbar mit Flachstecker 1.6x0.6
- 6 WIRE RANGE 0.5 - 1.0 mm² FLR
SINGLE WIRE SEAL
INSULATION-Ø 1.4 - 1.9 mm : TE Order-No. 963530-1
INSULATION-Ø 1.9 - 2.1 mm : TE Order-No. 964972-1
Drahtgroessenbereich 0.5 - 1.0 mm² FLR
Isolations-Ø 1.4 - 1.9 mm : TE Order-No. 963530-1
Isolations-Ø 1.9 - 2.1 mm : TE Order-No. 964972-1

968016-2	CuFe2	1	968015-2	B
968016-1	CuSn4	1	968015-1	B
LP NO	MATERIAL		PART NO	REV

DIMENSIONS:		TOLERANCES UNLESS OTHERWISE SPECIFIED:	
mm			
0-PLC	±	±0.2	
1-PLC	±		
2-PLC	±		
3-PLC	±		
4-PLC	±		
ANGLES	± 2°		
FINISH			

STE TE Connectivity			
NAME		MICRO-TIMER II CONTACT A	
SIZE	CAGE CODE	DRAWING NO	RESTRICTED TO
A2	00779	968015	-
SCALE 10:1			SHEET 1 OF 1
CUSTOMER DRAWING			REV B4