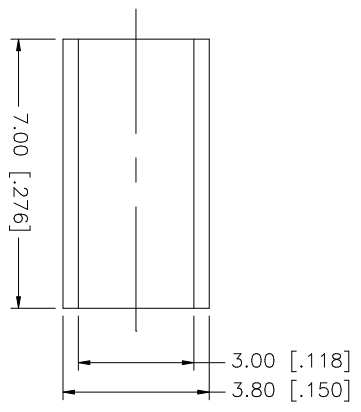
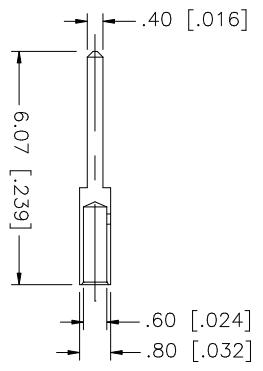
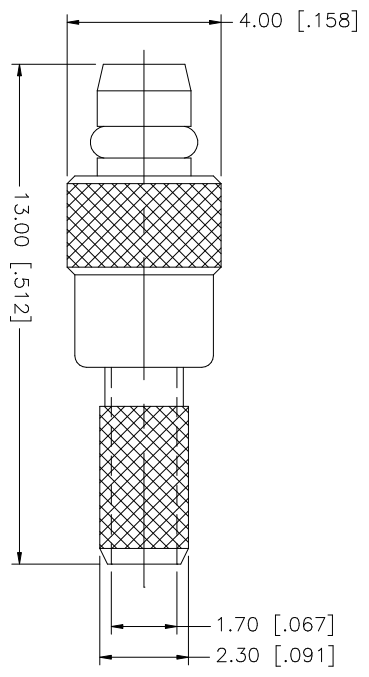
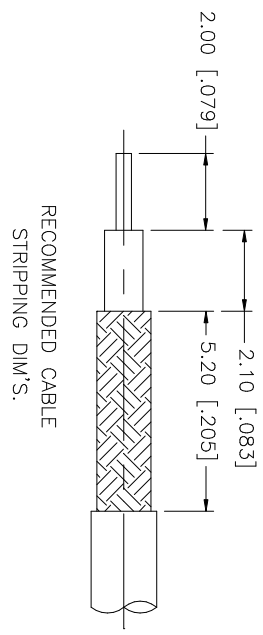


REV.	DATE	DESCRIPTION
A	01/30/04	UPDATE DRAWING FORMAT / MODIFY CONTACT PIN



- CRIMP NOTES:
1. CRIMPED FERRULE
HEX CRIMP SIZE .128"
 2. CONTACT PIN TO SOLDER

QTY	DESCRIPTION	MATERIAL	FINISH	QTY	DO NOT SCALE DRAWING	CAD FILE	APPROVALS	DATE	DWG. NO.	REV.	SIZE	SCALE
1	INSULATOR	BRASS	NATURAL	1	.020 - .315 = ± 0.007" .315 - 1.180 = ± 0.015" 1.180 - 4.724 = ± 0.020"				262101	A	A	NA
1	BODY	BRASS	GOLD	1					262101.DWG		A	
1	CONTACT PIN	BRASS	GOLD	1							A	
1	CONTACT RING	PHOS. BRONZE	GOLD	1							A	
1	FERRULE	COPPER	GOLD	1							A	
1	RETAIN RING	PHOS. BRONZE	GOLD	1							A	
1	INSULATOR	TEFLON	NATURAL	1							A	
1	BODY	BRASS	GOLD	1							A	
1	DESCRIPTION			1							A	

Amphenol Connex

MMCX CRIMP PLUG
(FOR RG-174/U, 188A/U, 316/U)

262101