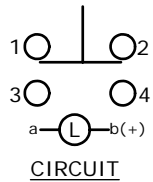
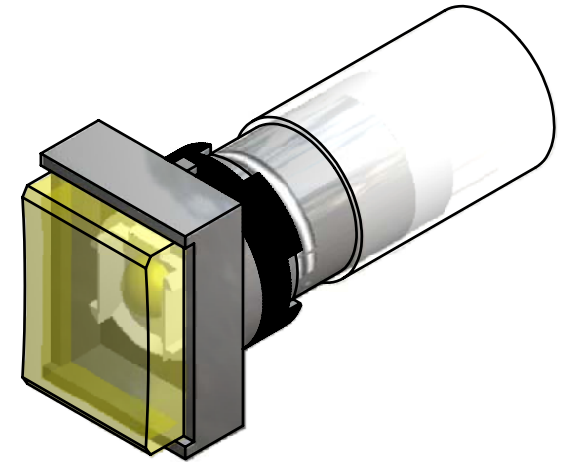
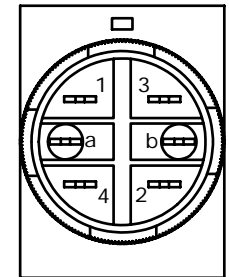
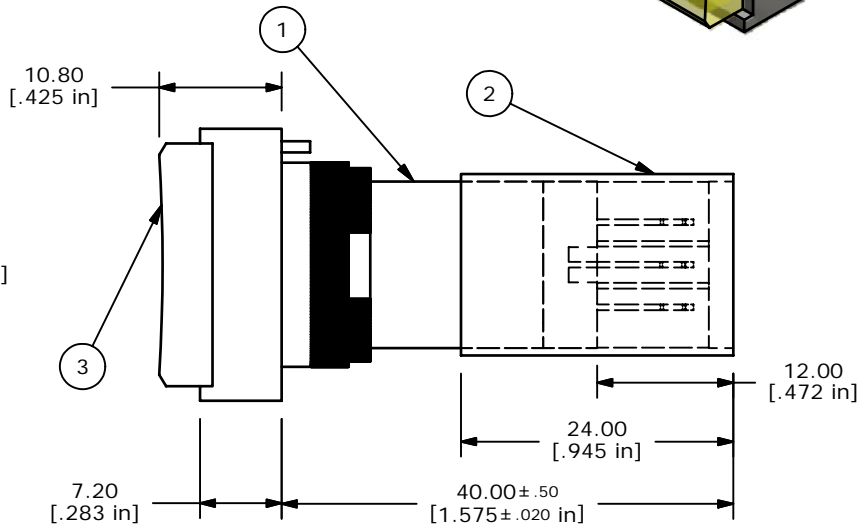
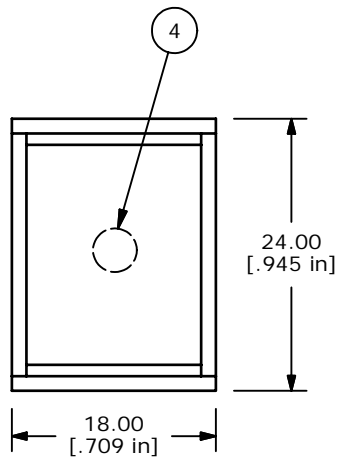


RECOMMENDED PANEL MOUNTING



- NOTE:
1. ALL DIMENSIONS IN MM [INCH]
 2. GENERAL TOLERANCE: X.X=±0.4
X.XX=±0.25
 3. TERMINAL NUMBERS FOR REF ONLY
 4. OPERATING TEMP: -25°C TO +55°C
 5. STORAGE TEMP: -40°C TO +85°C
 - ▲6. LAMP VOLTAGE: 14 VAC OR VDC
 7. RATING: 5A @ 250 VAC
6A @ 24 VDC
 8. MECHANICAL LIFE: 2 MILLION OPERATIONS
 9. ▲ DENOTES CRITICAL PARAMETER.
 10. 2002/05/EC (ROHS) COMPLIANT.



PARTS LIST			
ITEM	QTY	PART NUMBER	DESCRIPTION
1	1	F040012	P16OAT11 BODY
2	1	F051601	P16 PLASTIC TERMINAL PROTECTOR
3	1	F050206	5000206 RECTANGULAR, CONCAVE, TRANSPARENT, YELLOW LENS
4	1	F050404	5000404 INCANDESCENT LAMP

E-SWITCH®

A	16452	RELEASED FOR PRODUCTION	9/13/06	BO
REV	PCR NO	DESCRIPTION	DATE	BY

TITLE P16OAT11BYEL				
SCALE	DATE	DR	DWG	REV
1.5:1	9/13/2006	BO	XF0688P	A

THE INFORMATION CONTAINED IN THIS DOCUMENT IS PROPRIETARY TO E-SWITCH AND IS NOT TO BE COPIED OR TRANSFERRED